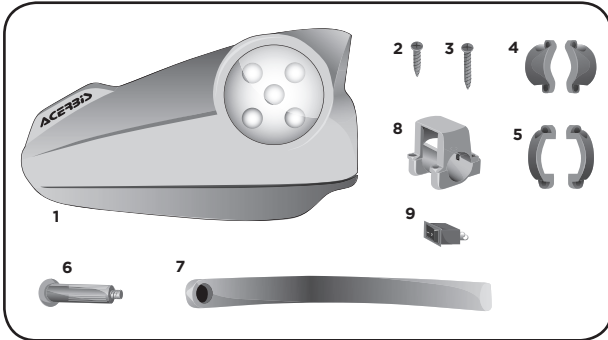


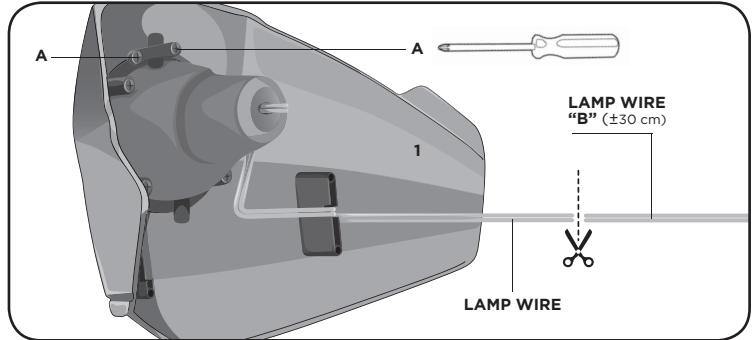
# VISION HANDGUARD PARAMANO VISION

**ACERBIS**  
SOUL AND PASSION

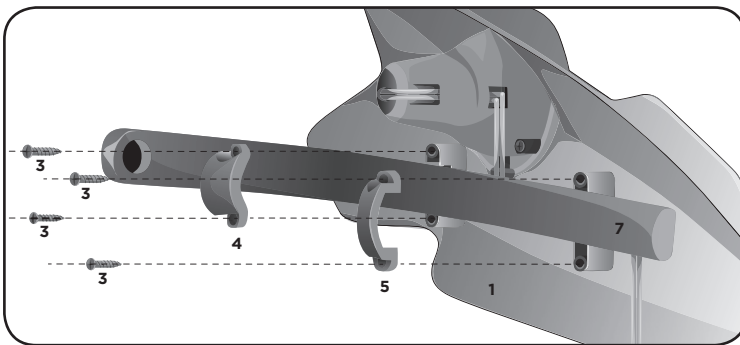
COD. 500002735



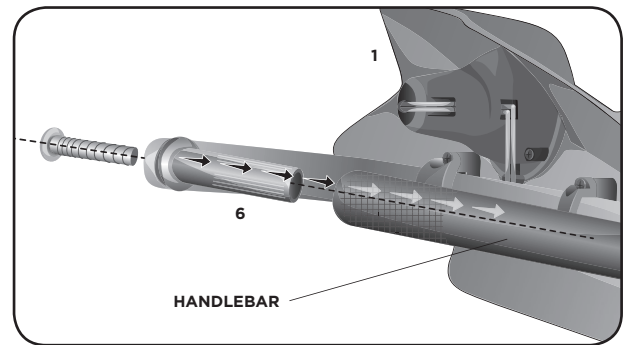
- |                    |            |            |
|--------------------|------------|------------|
| 1 (2 pcs.)         | 4 (2 pcs.) | 7 (2 pcs.) |
| 2 M3,5X10 (4 pcs.) | 5 (2 pcs.) | 8 (1 pcs.) |
| 3 M3,5X16 (8 pcs.) | 6 (2 pcs.) | 9 (1 pcs.) |



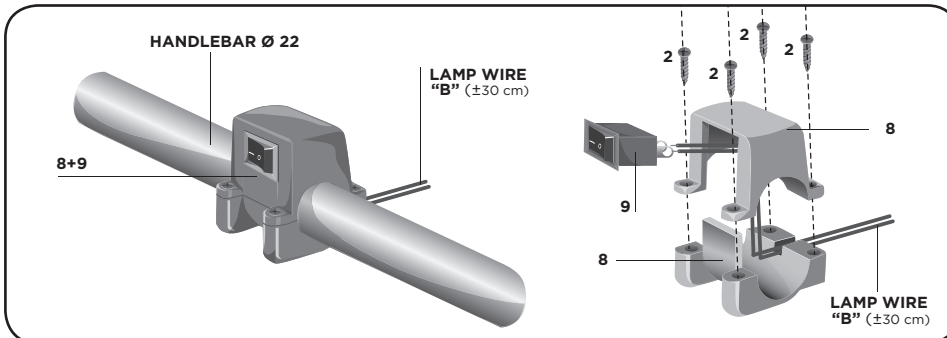
- Tagliare la parte di cavo in eccedenza (**B**) (verificare la lunghezza corretta del cavo prima di tagliarlo) e conservarlo per il collegamento all'interruttore (**fig. 4**). Allentando le viti (**A**) è possibile direzionare il faro in orizzontale (a regolazione fatta, stringere le viti)
  - Trim the wire to the correct length (**B**) and connect to the switch (**fig. 4**) See wire diagram. By loosening the screws (**A**) it is possible to adjust the direction of the lights (after adjustment re-tighten the screws)



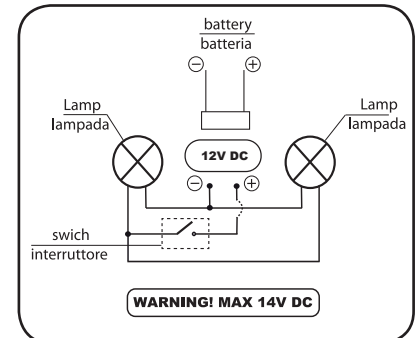
- Fissare il paramano sulle barre (**7**) tramite i collari (**4/5**) e n° 8 viti (**3**). (fare attenzione al verso dei collari. Il cavo deve passare nell'apposita sede sotto la barra.)
  - Fix the hand-guard on the mounting bars (**7**) through the collars (**4/5**) and secure with screws (**3**). (Please note the direction of the shaped collars.) The wire should be installed in the groove in the mounting bar.



- Montare gli expander (**6**) e fissare i paramani al manubrio.
  - Install the expander bolts (**6**), and fix the hand guard to the handlebar.



- Collegare all'interruttore (**9**) la parte, di cavo tagliata (**LAMP WIRE "B"**), ed inserirlo nel braccialeto (**8**), quindi montare il tutto sul manubrio tramite n° 4 viti (**2**). (VEDI SCHEMA ELETTRICO A FIANCO)
  - Secure to the switch (**9**) with the lamp wires to the switch body (**8**) and mount to the handlebar with the 4 screws (**2**).



## WARNING!

Use at your own risk. Check the security of your device before you ride. This handguard will not prevent injury in the event of a crash. They are designed to deflect cold weather, flying dirt and small branches you might hit while riding, they will not protect against impact with a hard surface or hard objects during use. Be sure that you follow the instructions for installing the handguard. Do not ride if there is missing or damaged hardware. If you find this is the case, take immediately back to your dealer. Check to be sure the throttle and other controls are free every time you ride. Failure to heed instructions and this warning could lead to interference with the controls, loss of control, and an accident. Acerbis recommends that installation be done by a licensed mechanic and that only acerbis original parts are used during fitting. Acerbis makes no guarantees or representations, express or implied, regarding the fitness of its products for any particular purpose. Acerbis makes no guarantees or representations, express or implied, regarding the extent to which its products protect individuals or property from injury or death or damage.

Off road motorcycle lights regularly fail through vibration. Always check your lights before riding at night. **Off road only. Not legal for use on public highways.** Be sure you follow the installation instructions exactly. If the headlamps fall off, it can jam the front wheel. Do not secure cables with number plate mounting straps. Use the guides provided. Before riding, check that all cables, hoses, and controls function properly.

**ATTENZIONE:** Usare solo fuori strada. Non è legale per l'utilizzo su strade pubbliche.

**ACERBIS ITALIA S.P.A.** VIA SERIO, 37 - 24021 ALBINO (BG) - ITALY  
Phone +39 035773577 - Fax +39 035773570 - INFOMOTO@ACERBIS.IT - WWW.ACERBIS.COM

**ACERBIS U.S.A. Inc.** MAIL P.O. BOX 2030 SUN VALLEY, ID 83353 SHIP 110 LINDSAY CIRCLE KETCHUM, ID 83340  
Phone (800) 659-1440 - Fax (208) 726-7039 - INFOUSA@ACERBIS.COM

**ACERBIS U.K. Ltd** UNIT 2 LUTON ENTERPRISE PARK SUNDON PARK ROAD LUTON, BEDFORDSHIRE LU3 3GU GREAT BRITAIN  
Phone +44 1582491076 - Fax +44 1582499639 - UKINFO@ACERBIS.IT