

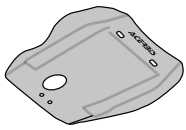
# SKID PLATE HONDA CRF 250L

## SOTTOMOTORE HONDA CRF 250L

**ACERBIS®**

COD. 500005727

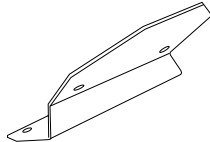
**ACERBIS PARTS**



**A-**(1 pcs.)



**B-**(1 pcs.)



**C-**(1 pcs.)



**D-**(1 pcs.)



**E-**(2 pcs.)



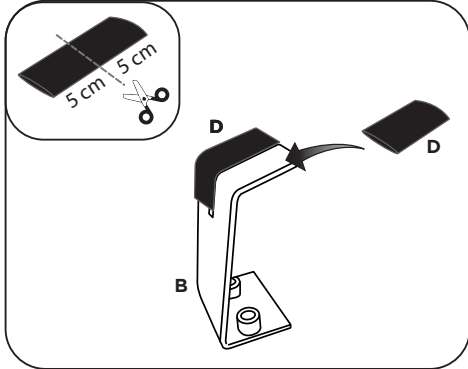
**F-**(2 pcs.)



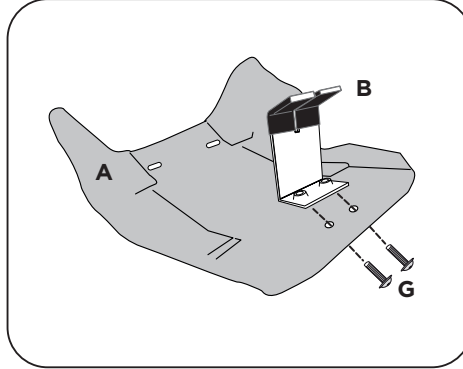
**G-**(2 pcs.)



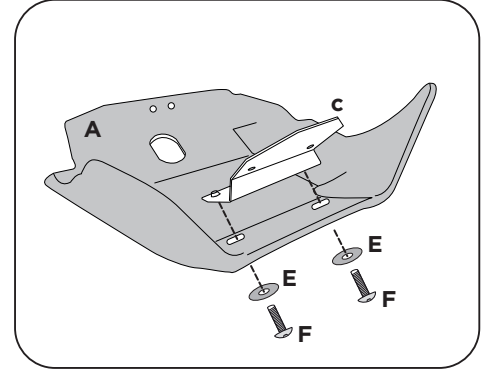
**H-**(2 pcs.)



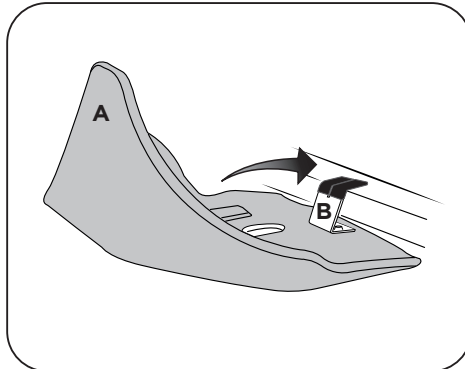
**1. Cut the rubber tube (5 cm each side) and fit the screws G.**  
 Tagliare il tubo in gomma (5 cm per lato) e calzare sulla staffa B.



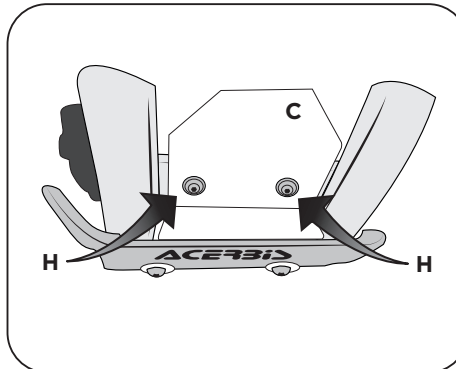
**2. Fix the bracket B to the skid plate A using the screws G.**  
 Fissare la staffa B al sottomotore A utilizzando le viti G.



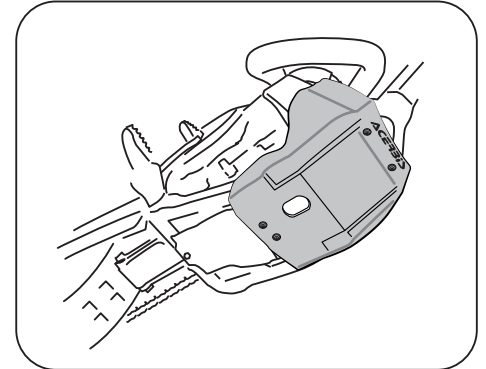
**3. Fix the bracket C to the skid plate A using the screws F and washer E.**  
 Fissare la staffa C al sottomotore A utilizzando le viti F e le rondelle E.



**4. Put the skid plate A being sure that the bracket B is inserted in the frame.**  
 Posizionare il sottomotore A assicurandosi che la staffa B sia inserita al telaio.



**5. Fix the bracket C to the frame using the screws H.**  
 Fissare la staffa C al telaio utilizzando le viti H.



**WARNING!**

Use at your own risk. Check the security of your device before you ride. Be sure that you follow the instructions installing the Acerbis products. Do not ride if there is missing or damaged hardware. If this is the case, take the item immediately back to your dealer. Make sure the throttle and other controls are free every time you ride. Lack of attention to instruction and warning could lead to interference with the controls, loss of control, and an accidents. Acerbis recommends that installation must be done by a licensed mechanic and that only Acerbis original parts are used during fitting. Acerbis makes no guarantees or representations, express or implied, regarding the fitness of its products for any particular purpose. Acerbis makes no guarantees or representations, express or implied, regarding the extent to which its product protect individuals or property from injury or death or damage.