

COD. 500006107

**ACERBIS PARTS**



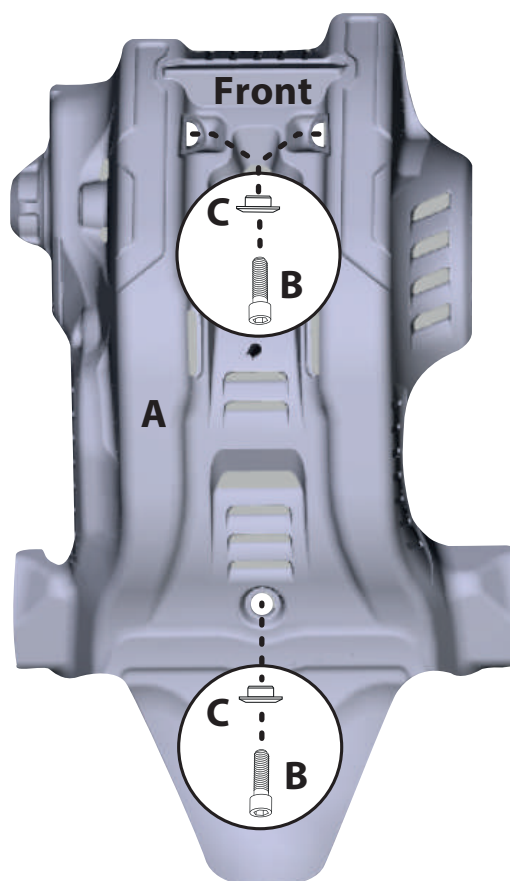
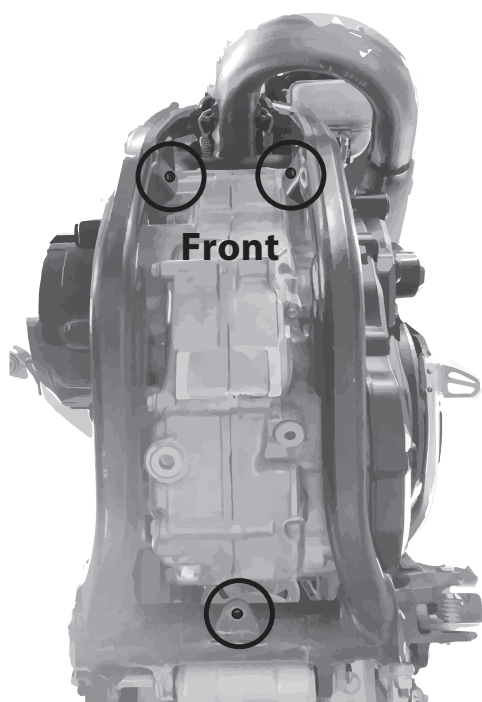
**A (1 pcs)**



**B (3 pcs)**



**C (3 pcs)**



- Place the Acerbis skid plate under the frame. Insert the washers [C] and the screws [B] into the front holes and tighten lightly, leaving loose. Then insert the remaining [C] washer and [B] screw into the back hole. Tighten all 3 screws. Check the screws periodically to make sure they remain tight.

- Posizionare il sottomotore Acerbis (A) sotto il telaio. Inserire le viti (B) nella parte frontale, e le boccole (C) senza bloccarle. Quindi inserire la vite (B) e la boccola (C) nel foro posteriore. Bloccare le viti. Controllare periodicamente le viti per assicurarsi che rimangano ben strette.

**WARNING!**

Use at your own risk. Check the security of your device before you ride. Be sure that you follow the instructions installing the Acerbis products. Do not ride if there is missing or damaged hardware. If this is the case, take the item immediately back to your dealer. Make sure the throttle and other controls are free every time you ride. Lack of attention to instruction and warning could lead to interference with the controls, loss of control, and an accidents. Acerbis recommends that installation must be done by a licensed mechanic and that only Acerbis is original parts are used during fitting. Acerbis makes no guarantees or representations, express or implied, regarding the fitness of its products for any particular purpose. Acerbis makes no guarantees or representations, express or implied, regarding the extent to which its product protect individuals or property from injury or death or damage.