



# AltRider Headlight Guard for KTM 790 ADVENTURE R/S INSTALLATION INSTRUCTIONS

The most up to date instructions can be downloaded from the product page at [altrider.com](http://altrider.com), under the instructions tab.

Dear Rider,  
Thank you for choosing AltRider! Whether a seasoned world adventurer or a first time ADV-Newbie, we welcome you to the AltRider experience. You can install your new product with the utmost confidence. AltRider designs, tests, and manufactures all of its products here in the United States. We are proud to do what we do, and honored to present to you the product of our labors.

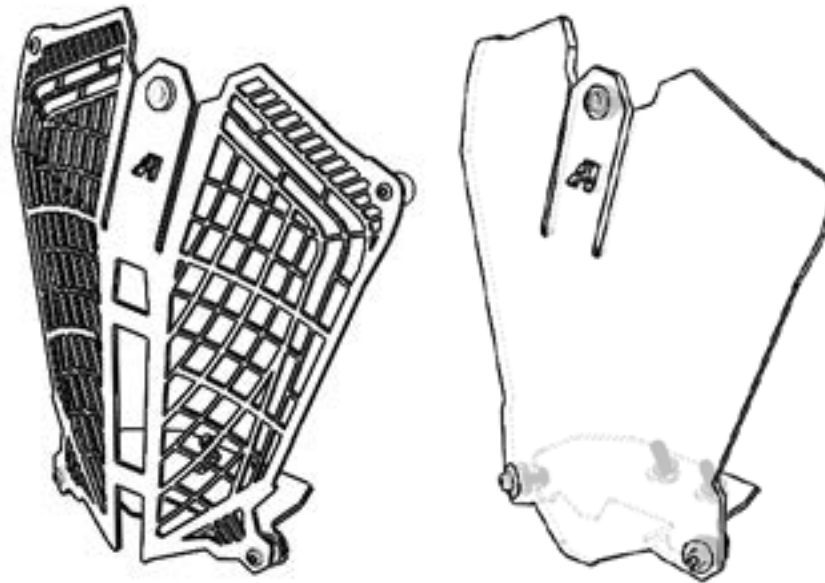
Enjoy it, show it off, and most of all, RIDE IT!

Venture On,  
Jeremy LeBreton



## KTM 790 ADVENTURE R/S 2019+ Headlight Guard

Package Contents:  
- Headlight Guard  
- Mounting Kit  
- Instructions



---

## AltRider LLC

### Global

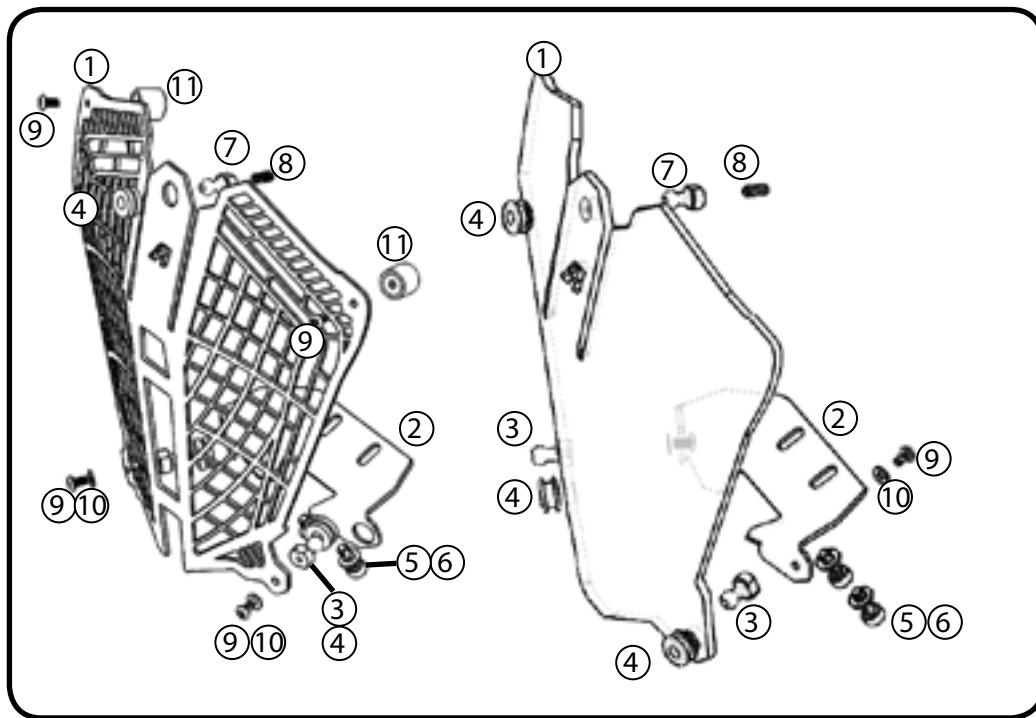
*mailing:* 4000 Aurora Ave N Ste 100  
Seattle, WA 98103 USA  
*phone:* 206-922-3618  
*email:* [info@altrider.com](mailto:info@altrider.com)  
*web:* [www.altrider.com](http://www.altrider.com)

### Europe

*mailing:* Spectrumlaan 31  
2665 NM Bleiswijk  
Netherlands  
*email:* [info@altrider.eu](mailto:info@altrider.eu)  
*web:* [www.altrider.eu](http://www.altrider.eu)

REV 1





## Kit:

- ① Headlight guard (Lexan or Stainless Steel) / and frame
- ② Headlight guard bracket
- ③ (2) Ball Stud M4 X 5mm
- ④ (3) Rubber grommets
- ⑤ (2) M6 X15mm stainless socket head screw
- ⑥ (2) M6 stainless washer
- ⑦ Custom Ball Stud M5 X 8mm
- ⑧ Threaded stud M5 X 12mm
- ⑨ M4 Torx T20 X8mm (x4 - Steel mesh guard, x2 Polycarbonate guard)
- ⑩ (2) M4 stainless washer
- ⑪ (2) Threaded rubber bumper



### Polycarbonate Headlight Guard Cleaning Instructions

Clean your headlight guard using ONLY mild soap and water, dry with a soft cloth. For particularly stubborn bug guts, remove and soak in water, or place a wet soft towel on the lenses and allow to soften the debris.

DO NOT USE OTHER CHEMICALS to clean your headlight guard, such as windex, rubbing alcohol, acetone, simple green, ammonia, bike wash etc.

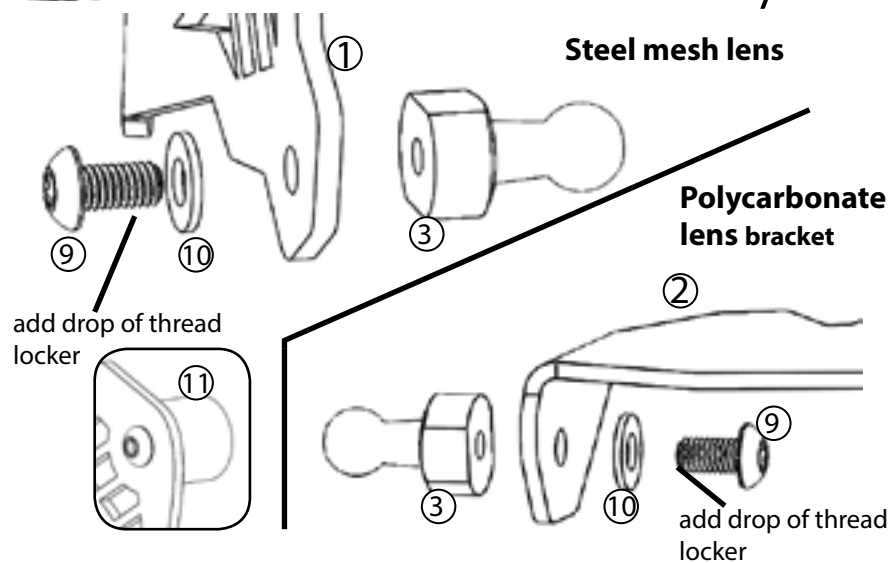
The polycarbonate plastic lenses are very tough and impact resistant, but will break down over time when exposed to harsh chemicals.



## Recommended tools:

- ① hardware tray
- ② 1/4" ratchet / 1/4" extension
- ③ T20 driver
- ④ T30 driver
- ⑤ 5mm hex driver
- ⑥ 2.5 mm hex driver
- ⑦ 10 mm wrench

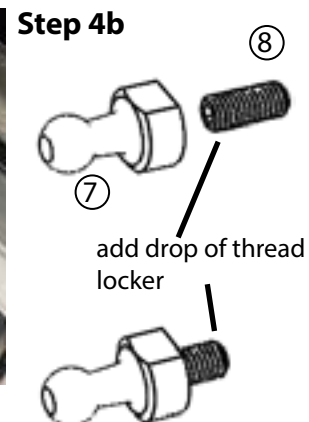
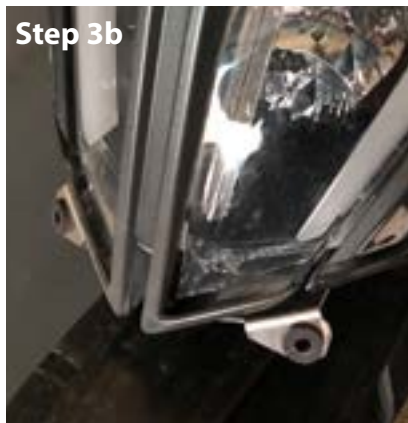




- ① Add a drop of thread locker to two M4 Torx T20 screws. Use the Torx T20 driver and 10mm wrench to fit the ball studs to the bottom holes of the mesh lens (or to the mounting bracket for the Polycarbonate lens) as shown. Add thread locker to the remaining two M4 Torx T20 screws and fit the rubber bumpers (Item 11) to the top holes on the mesh lens.



- ② For Steel mesh lens: Install the (2) rubber grommets on the mounting bracket (shown) and one in the top center of the lens. For the Polycarbonate lens: Install the (3) rubber grommets into the lens. (Sometimes it is easier to get grommets in place if you use some water as lubrication. You can also gently press into place with a flat head screwdriver.



- ③ (3a) Remove the two T30 screws from underneath the headlight bezel. Put a drop of threadlocker on the M6 screws (Item 5) place the 6mm washers (item 6) on the screws and use 5mm hex driver to securely install the mounting bracket (3b).

- ④ (a) Gently pull the "KTM" plastic logo piece from the center rib of the headlight bezel. Add a drop of thread locker to the M5 threaded stud (Item 8) and thread it into the custom ball stud (Item 7) using the 10 mm wrench and the 2.5 mm hex driver. Add a drop of thread locker to the other end of the M5 threaded stud and screw it securely into the hole exposed after the logo piece was removed.



- ⑤ Align the ball studs with their corresponding grommets. Apply pressure to push the ball studs through the grommets. A small drop of water can help lubricate the grommet for install.

## CONGRATULATIONS!

**You've completed your installation. If at any point you have questions about your installation or have any feed back for us, we'd love to hear it. A downloadable version of these instructions can be found at our web site. [www.AltRider.com](http://www.AltRider.com)**

**After 5 hours of riding, or 100 miles, check all the fasteners on the assembly to ensure they are tightened to spec.**

### Global Office:

**email: info@AltRider.com**  
**phone: +1 206-922-3618**  
**address: 4000 Aurora Ave N**  
**Ste 100**  
**Seattle, WA 98103**

### Europe Office:

**email: info@AltRider.eu**  
**address: Heliumstraat 230**  
**2718 RS Zoetermeer**  
**The Netherlands**

#### TERMS OF USE, WARRANTY AND LIABILITY WAIVER

AltRider LLC, a Washington company, having its principal place of business in Seattle, WA ("AltRider") offers its motorcycle accessories (the "Product") with the terms, conditions and notices as follows:

##### Terms of Use

This Product is offered to you conditioned upon your acceptance without modification of the terms, conditions, and notices contained herein. Installation and/or use of this product implies acceptance of all such terms, conditions, and notices. If you do not agree to these terms, do not buy the Product. If you have already bought the Product and do not agree to these terms, return this Product promptly including the packaging and all written materials, to AltRider.

##### Limitation of Liability and Warranty Disclaimer

You may return your merchandise for a full refund or exchange, less any original or return shipping fees under these conditions:

1. Only if the merchandise is in 100% factory condition. Original manufacturer's packaging and same condition as sold – original boxes, packaging material, instructions, documentation, parts, and attached tags.
2. Only unused, unscratched, uninstalled, undamaged merchandise will be accepted. Do not install equipment until you are sure you want to keep it. Package items carefully in protective materials before returning them. Never ship an item in its original manufacturers packaging – it will arrive damaged. Please use a postal box or other adequate packaging to ensure your return or exchange is not damaged on the way back to AltRider.com.

To read more about our exchanges and returns policy, on the web, navigate to <http://www.altrider.com/info/exchangesAndReturns>

Excepting the warranties stated in the preceding paragraph, AltRider hereby disclaims all other warranties and conditions with regard to the Product including all implied warranties and conditions of merchantability and fitness for a particular purpose. There are no warranties which extend beyond the description on the face hereof. AltRider does not warrant against damages or defects arising out of use or installation of the Product. Installation instructions are provided for your convenience. AltRider is not responsible for any damages arising out of the installation, improper or otherwise, of the Product. No warranty of any kind, expressed or implied, is made regarding the safety of this Product.

To the extent allowed by law, AltRider shall not be held liable for any direct, indirect, punitive, incidental, special or consequential damages arising out of, or connected with, the use or misuse of this Product. Buyer assumes all risks and liability arising from use of this Product.

##### Entire Agreement

This document states the entire obligation of AltRider with respect to the Product. If any part of this agreement is determined to be void, invalid, unenforceable or illegal, including, but not limited to the warranty disclaimers and liability limitations set forth above, then the remainder of the agreement shall remain in full force and effect.

##### Applicable Law

This agreement is governed by the laws of Washington, USA. You hereby consent to the exclusive jurisdiction and venue of the courts of Washington, USA, in all disputes arising out of or relating to the use of this product.

