

INSTALLATION INSTRUCTIONS

PART NO. 52-825

TRAILER HITCH

2001-NEWER HONDA GL1800 GOLDWING AND F6B

3/31/2015

TOOLS NEEDED: 6MM HEX WRENCH 5MM HEX WRENCH 12MM SOCKET 14MM SOCKET 14MM WRENCH

COMPONENTS:

A (2) M10 FLAT WASHER	H (2) M8 NYLON LOCK NUT
B M8 FLAT WASHER	I (2) M10 - 1.25 X 30MM HEX HEAD FLANGE BOLT
C (2) M6 FLAT WASHER	J M8 - 1.25 x 45mm HEX HEAD FLANGE BOLT
D (2) M6 - 1.0 X 18MM SOCKET HEAD CAP SCREW	K M8 - 1.25 X 35MM HEX HEAD FLANGE BOLT
E HARDENED HITCH PIN	L HITCH FRAME
F HAIRPIN COTTER PIN	M HITCH BRACE PLATE
G (2) M10 NYLON LOCK NUT	N HITCH TONGUE
	O 5/16" FLAT WASHER

NOTE: THREAD LOCK COMPOUND SHOULD BE USED ON ALL HARDWARE.

PLEASE READ THROUGH AND UNDERSTAND THESE INSTRUCTIONS BEFORE BEGINNING.

SECTION ONE

1. PLACE MOTORCYCLE ON CENTER STAND.
2. USING A 5MM HEX WRENCH, REMOVE THE FOUR SCREWS (1A) SECURING THE REAR FENDER/SHROUD IN PLACE. GENTLY REMOVE REAR FENDER/SHROUD AND SET ASIDE. SEE FIGURE 1.
3. USING A 6MM HEX WRENCH, LOOSEN (DO NOT REMOVE) THE TWO RIGHT SIDE MUFFLER CLAMP BOLTS. REPEAT FOR LEFT SIDE (2A). SEE FIGURE 2.
4. USING A 12MM SOCKET, REMOVE THE RIGHT SIDE MUFFLER BRACKET BOLT (2C) AND GENTLY LOWER MUFFLER AND LET HANG. REPEAT FOR LEFT SIDE MUFFLER.
5. USING A 6MM HEX WRENCH, REMOVE THE RIGHT SIDE TWO SOCKET-HEAD CAP SCREWS SECURING THE PASSENGER HANDLE TO THE SEAT. REMOVE HANDLE AND SET ASIDE. REPEAT FOR LEFT SIDE PASSENGER HANDLE.
6. STARTING FROM THE PASSENGER AREA OF THE SEAT, WORK THE SEAT UP OUT OF THE PASSENGER BACKREST BUT DO NOT REMOVE SEAT. REACH UNDER SEAT AND DISCONNECT SEAT-WARMER WIRING HARNESS. CONTINUE LIFTING SEAT TO REMOVE AND SET SEAT ASIDE.
7. USING A 6MM HEX WRENCH, REMOVE THE TWO SOCKET-HEAD CAP SCREWS SECURING RIGHT SIDE PASSENGER FOOTREST. REMOVE FOOTREST AND SET ASIDE. REPEAT FOR LEFT SIDE PASSENGER FOOTREST.
8. REMOVE THE RIGHT SIDE-COVER BY GENTLY PULLING THE PANEL FREE. SET RIGHT SIDE-COVER ASIDE. REPEAT FOR LEFT-SIDE COVER.
9. USING A 5MM HEX WRENCH, REMOVE THE THREE BOLTS SECURING THE RIGHT SIDE FRAME COVER. SET FRAME COVER ASIDE. REPEAT FOR LEFT SIDE.
10. USING A 12MM SOCKET, REMOVE THE TWO HEX-HEAD BOLTS SECURING THE REAR RIGHT SIDE SADDLEBAG GUARD (2D). SET GUARD ASIDE. REPEAT FOR LEFT SIDE SADDLEBAG GUARD.
11. USING A 12MM SOCKET, REMOVE THE RIGHT SIDE FRONT SADDLEBAG FRAME MOUNTING BOLT (2E). REPEAT FOR LEFT SIDE FRONT SADDLEBAG FRAME MOUNT BOLT. THESE BOLTS WILL NOT BE REUSED.
12. USING A 5MM HEX WRENCH, REMOVE THE TWO SOCKET HEAD CAP SCREWS SECURING THE REAR SADDLEBAG CROSSBRACE (1D). SET CROSSBRACE ASIDE. THESE BOLTS WILL NOT BE REUSED.

SECTION TWO

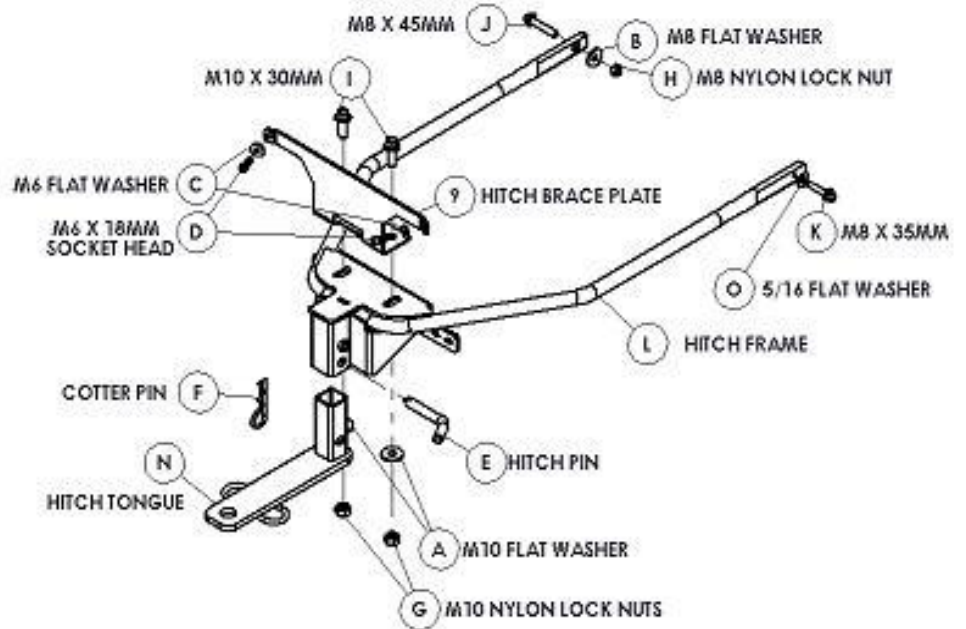
1. USING THE TWO M6 X 18MM SOCKET HEAD CAP SCREWS (D) AND TWO M6 FLAT WASHERS (C) , INSTALL THE HITCH BRACE PLATE (3B) (COMPONENT M) WITH THE REAR SADDLEBAG CROSSBRACE IN PLACE BEHIND IT.
2. CAREFULLY MANEUVER TRAILER HITCH FRAME (L) INTO PLACE BENEATH SADDLEBAGS (3A).
3. ATTACH THE HITCH FRAME (L) TO THE HITCH BRACE PLATE (M) BY LOOSELY INSTALLING THE TWO M10 FLANGE HEAD BOLTS (I) ALONG WITH TWO M10 FLAT WASHERS (A) AND TWO M10 NYLON LOCK NUTS (3C) (COMPONENT G).
4. INSTALL THE M8 X 35MM HEX HEAD FLANGE BOLT (K) AND THE FLAT WASHER (O) INTO THE RIGHT SIDE FRONT SADDLEBAG FRAME MOUNT, THREADING IT INTO THE FRAME ONLY SO FAR AS TO ALLOW ABOUT 1/2MM OF BOLT SHANK TO PROTRUDE ON THE OTHER SIDE.
5. ALIGN RIGHT SIDE (SIDE WITH THREADED HOLE) OF HITCH FRAME (L) WITH PROTRUDING BOLT SHANK FROM PREVIOUS STEP. WHILE KEEPING THE HITCH FRAME (L) AS FLUSH AS POSSIBLE WITH THE INNER SURFACE OF THE FRONT SADDLEBAG FRAME MOUNTING BOSS, CONTINUE THREADING THE M8 X 35MM BOLT (K) INTO THE FRAME, ALLOWING THE THREADS TO ENGAGE THE THREADED HOLE AT THE TIP OF THE HITCH FRAME (L). MINIMAL CLEARANCE SHOULD EXIST BETWEEN THE FLAT SURFACE OF THE HITCH FRAME TIP AND THE MOUNTING BOSS FOR THE SADDLEBAG MOUNT. TIGHTEN THIS BOLT, THREADLOCKER IS RECOMMENDED.
6. MOVING TO THE LEFT SIDE OF THE MOTORCYCLE, INSTALL THE M8 X 45MM HEX HEAD FLANGE BOLT (J) INTO THE LEFT SIDE FRONT SADDLEBAG FRAME MOUNT, THREADING THE BOLT COMPLETELY INTO THE SADDLEBAG FRAME MOUNT.
7. GENTLY PULL THE LEFT SIDE HITCH FRAME TIP (SIDE WITH SLOT) OVER THE PROTRUDING M8 X 45MM HEX HEAD FLANGE BOLT (J) FROM PREVIOUS STEP. INSTALL THE M8 FLAT WASHER (B) AND M8 NYLON LOCK NUT (H). TIGHTEN THE FASTENER, MAKING SURE THE BOLT DOES NOT BACK OUT OF THE SADDLEBAG FRAME MOUNT AS THE LOCK NUT ENGAGES THE THREADS.
8. USING A 14MM SOCKET AND 14MM BOX END WRENCH, TIGHTEN THE LOOSELY INSTALLED M10 BOLTS AND NYLON LOCKNUTS FROM STEP 3, SECTION TWO, MAINTAINING SYMETRY OF THE HITCH FRAME IN RELATION TO THE MOTORCYCLE.
9. INSTALL HITCH (N) TONGUE INTO VERTICAL RECEIVER TUBE OF FRAME AND SECURE USING HITCH PIN (E) AND HAIRPIN COTTER PIN (F).

SECTION THREE

1. TO COMPLETE INSTALLATION, REVERSE THE ORDER OF STEPS 1 THROUGH 9 OF SECTION ONE.

COMPONENTS:

- A (2) M10 FLAT WASHER
- B M8 FLAT WASHER
- C (2) M6 FLAT WASHER
- D (2) M6 - 1.0 X 18MM SOCKET HEAD SCREW
- E HARDENED HITCH PIN
- F HAIRPIN COTTER PIN
- G (2) M10 NYLON LOCK NUT
- H (2) M8 NYLON LOCK NUT
- I (2) M10 - 1.25 X 30MM HEAD FLANGE BOLT
- J M8 - 1.25 X 45MM HEX HEAD FLANGE BOLT
- K M8 - 1.25 X 35MM HEX HEAD FLANGE BOLT
- L HITCH FRAME
- M HITCH BRACE PLATE
- N HITCH TONGUE
- O 5/16 FLAT WASHER



INSTALLATION DIAGRAMS 52-825

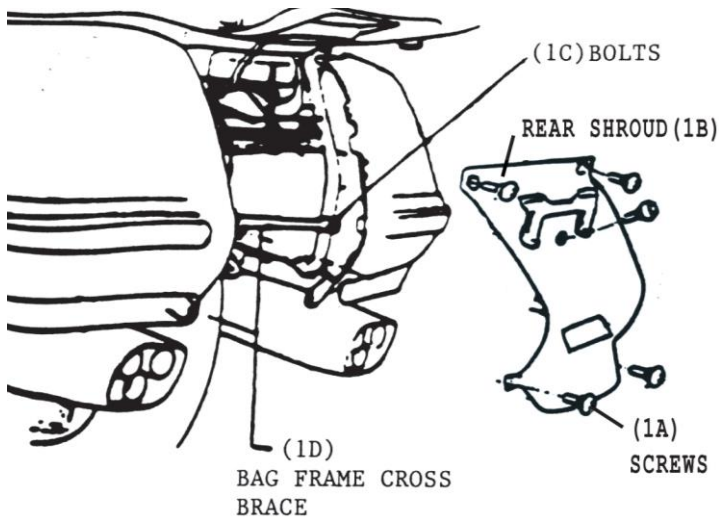
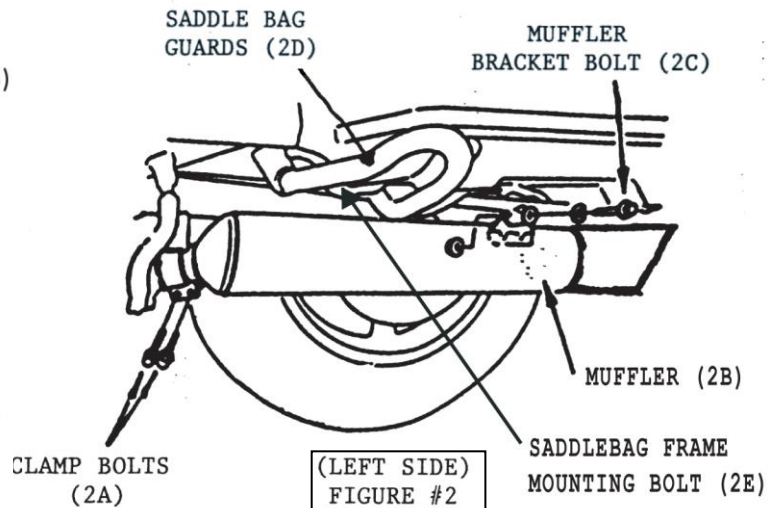


FIGURE #1



(LEFT SIDE)
FIGURE #2

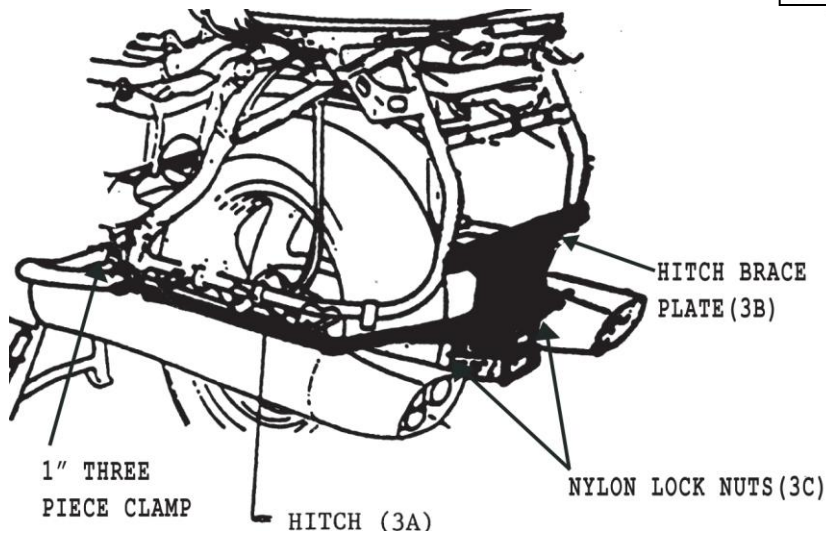


FIGURE # 3

