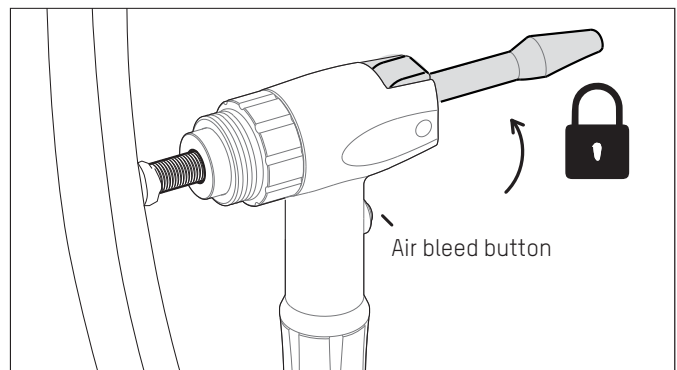
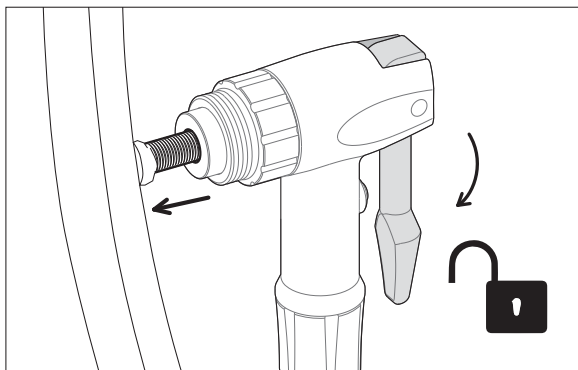
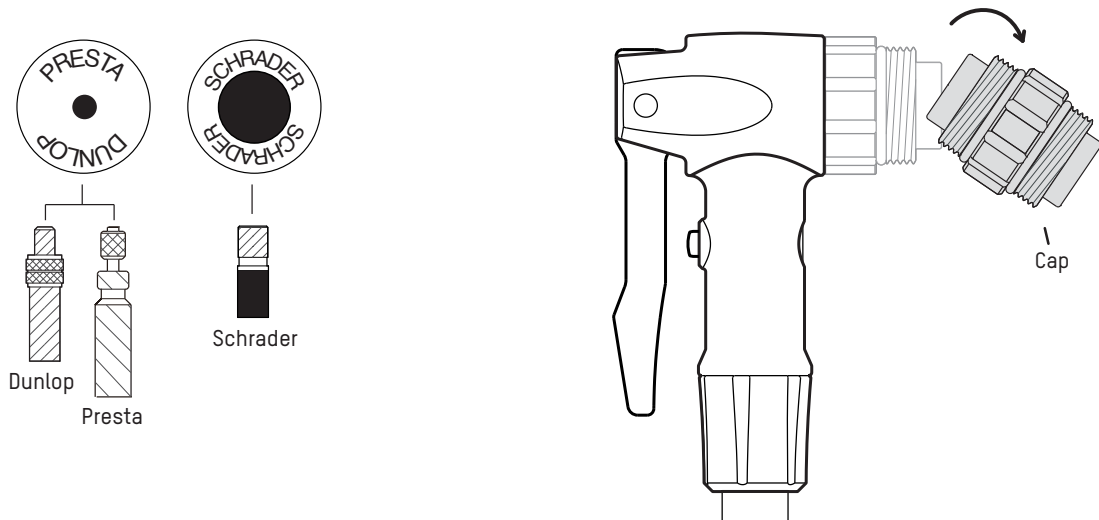


CHAMBER ELITE FLOOR PUMP™ PART# 7122410

Turn cap counterclockwise to remove, select desired valve type. Place valve facing outward, turn cap clockwise to reattach. In unlocked position press pump head onto tire. Flip lever up to lock, then inflate. Push lever down to release.



⚠ WARNING: NEVER OVERINFLATE YOUR TIRE. SEE TIRE SIDEWALL FOR MANUFACTURER RECOMMENDED TIRE INFLATION PSI.

Visit us at blackburndesign.com for product updates.

Blackburn

Customer Service: 1-800-456-2355

Blackburndesign.com

Printed in Taiwan

**LIFETIME
WARRANTY**

