



120 Eastgate Drive SE
Hutchinson, MN 55350

1-888-321-6789
www.caproskis.com

HANDLE INSTALLATION INSTRUCTIONS

****Due to the preload tension on ski handles, C&A recommends having 2 people install handles for ease and convenience.**

1. We suggest removing the ski from the snowmobile for ease of installation.
2. Remove existing handle and discard hardware
3. Slide tip of handle into ski joint and insert hardware (see Figure 1).
Tighten the hardware to 35 in lbs.
4. Bend tip of ski and align handle with mounting hole. Install hardware (see Figure 2).
Tighten hardware to 35 in lbs.
5. Reinstall ski and repeat process.

ITEM#	PART#	DESCRIPTION	QTY
1	76000278	BOLT, 5/16"-18 X 4-1/2" HEX	4
3	76000166	NUT, 5/16"-18 TOP LOCK	4
2	76000167	WASHER, 5/16" FLAT SAE	8

Handle Adjustment Recommendations:

- △ 1 Deep snow riding conditions.
- △ 2 Typical trail riding and racing.
- △ 3 Ice/Grass/Asphalt drags.

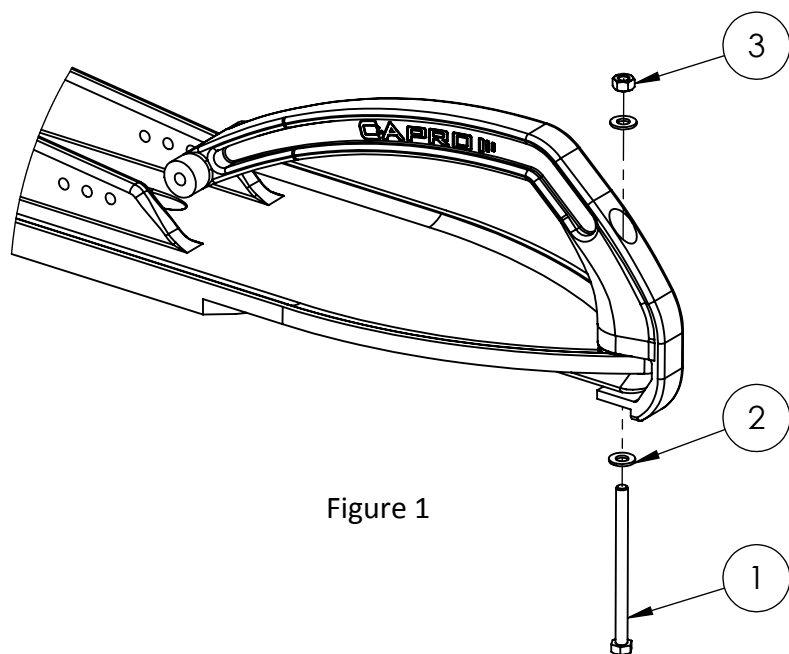


Figure 1

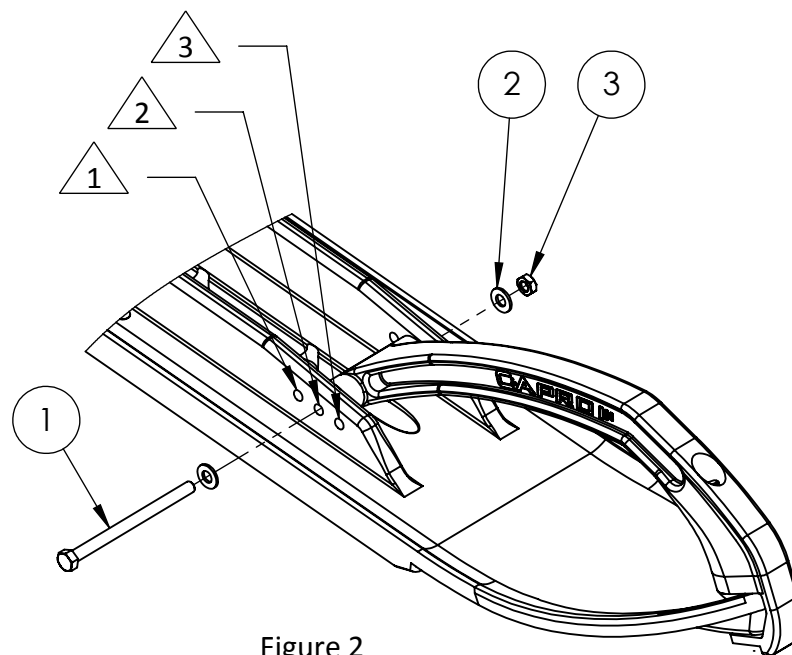


Figure 2