



CYBERCHARGER™

PARTS INCLUDED

- 1 Cybercharger Assembly
- 1 Battery Power Harness

Cybercharger wireless charging information:

- Smartphone makers recommend their phones are used in temperatures between 32°F and 95°F. Outside of that range the phone performance (including battery performance, thus charging) can become irregular.

- Charging rates are regulated by the device being charged. The Cybercharger's maximum charging rate is 15W.

- If you have a case on your phone. Check with the case supplier to verify it is actually wireless charging compatible. Cases thicker than 5mm or those that include metal or magnets in them may limit or prevent wireless charging, and should not be used with the Cybercharger.

- The charger will use a standby current of approximately 20mA. If the vehicle has a healthy battery the standby current draw will not affect battery performance. If the vehicle is likely to sit for more than 2 weeks unplug the Cybercharger.

- It is normal for the phone and/or charger to become warm during use. It should not become too hot to touch; if it feels uncomfortably hot, please discontinue use and contact Ciro. It may be a problem with an incompatible case or excessive gap between the phone and coil.

- Use caution to protect the power cable plug if unplugging and removing the phone holder from the vehicle. The cable must be secured and protected from water and unintended contact with other surfaces.

WARNING:

This indication alerts you to the fact that ignoring the contents described herein can result in potential serious injury or death if not followed.

CAUTION:

This indication alerts you to the fact that ignoring the contents described herein can or will result in material damage and/or personal injury.

ATTENTION:

This indication alerts you to the fact if you ignore this detail you will affect the performance or functionality of the product.

All Ciro products are designed for "easy assembly" and/or "plug and play". We recommend a competent mechanic install our products, using standard mechanical procedures to assure a safe and successful installation.

NOTE:

Ciro® warrants that products sold hereunder to the original purchaser, if maintained and operated under normal conditions, shall be free from any defects in materials and workmanship for a period of (3) years from date of purchase, and a lifetime warranty against LED failure.

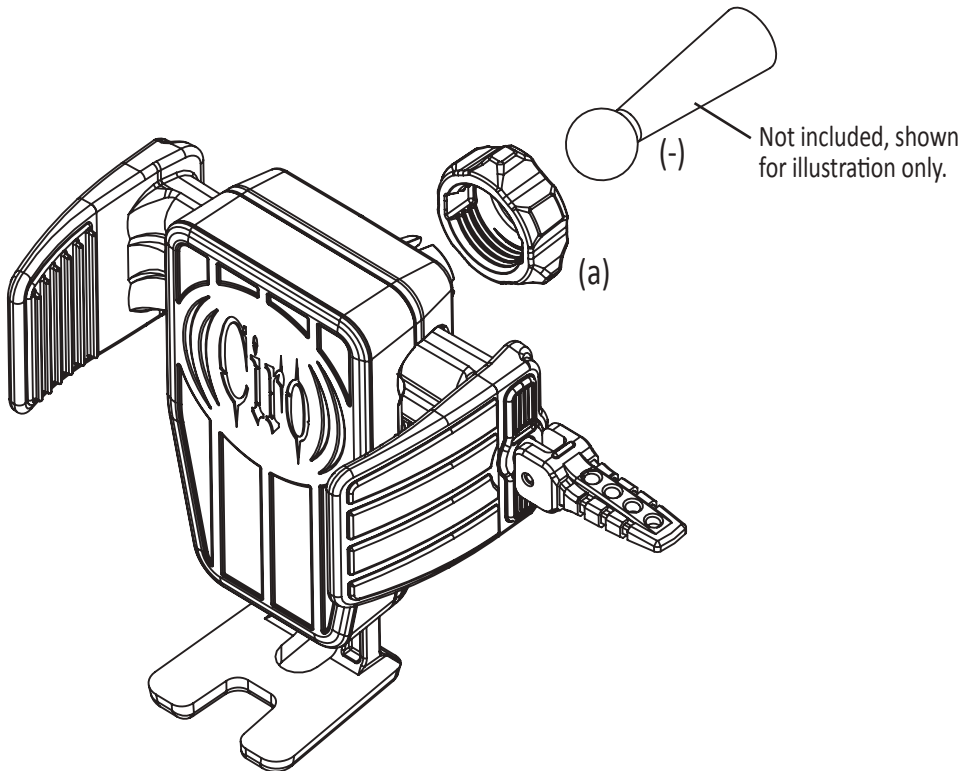
Ciro will have no obligation if the customer cannot show proof of purchase.

Warranty will not be granted unless the part is properly installed and maintained.

Ciro will not be liable for any consequential and incidental damages, including labor, or non-Ciro products.

Please visit our website Ciro3d.com for our complete warranty policy.

FIG.1





Cybercharger installation: *Install the Giro accessory ball mount according to the instructions provided with that product.*

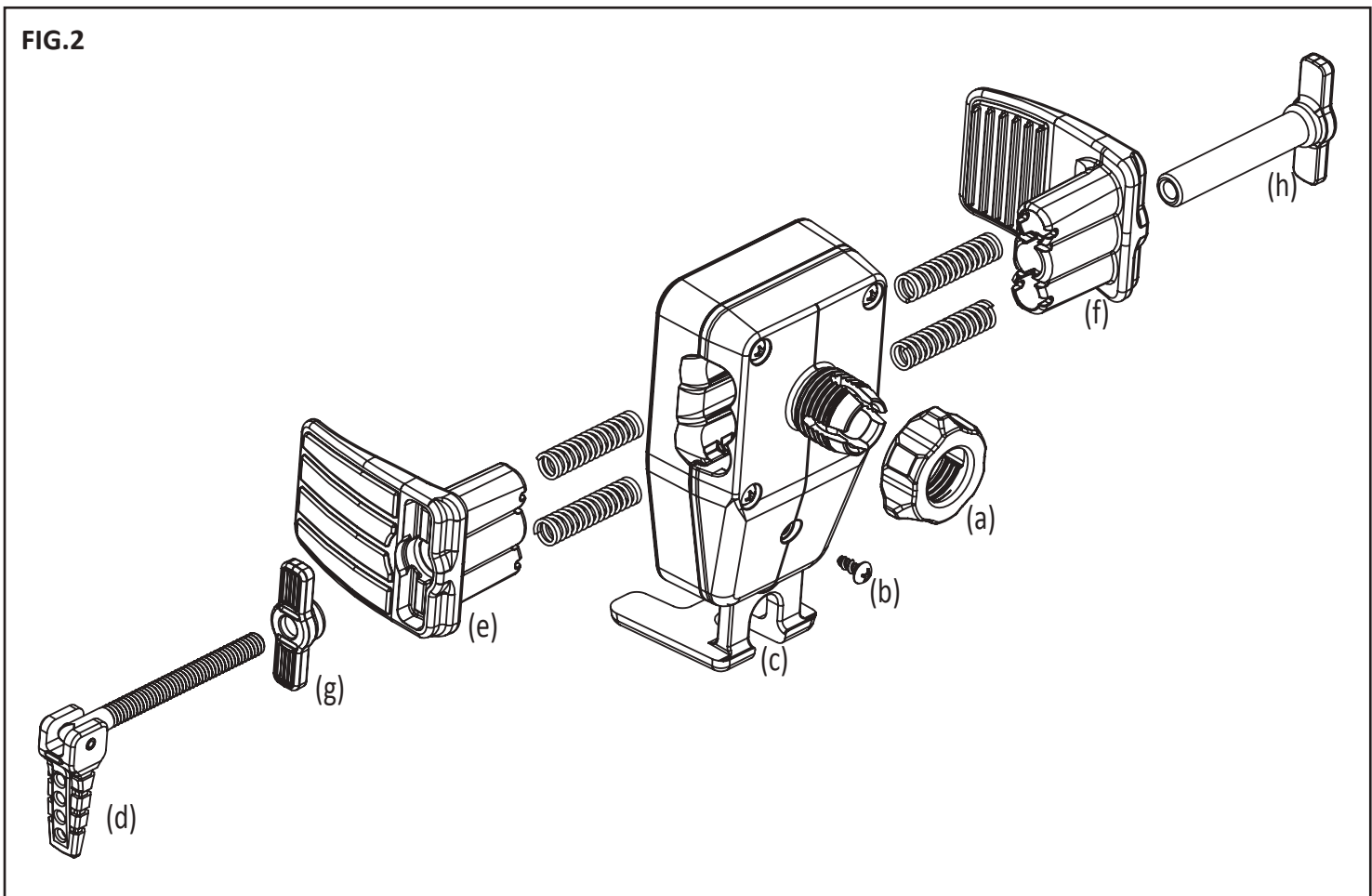
1. Remove the large plastic nut (a) from the back of your Cybercharger. Slide the nut over the ball mount (-). FIG.1 (a)(-)
2. Pop the Cybercharger onto the ball and thread the nut onto it. Adjust the angle and then tighten the nut. To change the position loosen the nut, move the Cybercharger to the desired angle and then tighten the nut.
3. Connect the battery power harness to the battery and route the power cable to the mounted Cybercharger. Plug the power cable into the bottom of the Cybercharger.

Cybercharger phone fitment and usage:

-The phone holder includes an adjustable bottom support leg meant to provide a durable, repeatable location for most popular phones. You may need to loosen the lower most locking screw (b) and adjust the leg (c) to align the wireless charging coil to your phone. All phones are slightly different and final placement will need to be determined by the user. The locking screw should then be tightened to prevent unintended movement. FIG.2 (b)(c)

-Do not overly tighten the clamping cam lever (d) before locking into place. Excessive force could lead to phone damage.

-The clamping cam lever (d) can be moved to the opposite side of the Cybercharger. Hold the side arms (e)(f) together and thread the lever all the way out. Remove the clamping plate (g) and female thread plate (h). Reinstall them on the opposite side. Thread the cam lever back into place in its new position.





CIRO ACCESSORY PERCH MOUNT

PARTS INCLUDED

- 1 Perch Mount
- 1 Installation Kit
 - 2 1/4-20 SHCS
 - 2 M6 SHCS
 - 2 Spacers

1. Park on a level surface and shut off the motorcycle. Ensure that the engine has time to cool before installation. Cover your tank with a clean towel or blanket to protect it.

2. Determine which side of the handlebars you would like the mount. Remove the two screws holding the clamp half in place. Carefully support the original clamp half and controls to prevent any accidental damage. (Fig. 1)



3. Compare the screws you removed to the screws included in this kit. Both 1/4-20 and M6x1.00 threaded screws are included to cover a variety of applications. Use the screws that match your motorcycle. Prepare the perch mount as shown above. (Fig. 2)

4. Install the perch mount with spacers to the motorcycle, making sure to re-use the original clamp half. Tighten to factory specifications; approximately 72-108 in-lbs (8.1-12.2 Nm). (Fig. 3)

5. The position of the top ball can be adjusted to provide adequate clearance for any installed accessory. Use a 5/32" hex key to loosen and adjust the position, checking final tightness before riding. (Fig. 4)

*If you have purchased any Ciró accessories to go with your ball mount, please refer to those instructions to complete your installation.

WARNING:

This indication alerts you to the fact that ignoring the contents described herein can result in potential serious injury or death if not followed.

CAUTION:

This indication alerts you to the fact that ignoring the contents described herein can or will result in material damage and/or personal injury.

ATTENTION:

This indication alerts you to the fact that if you ignore this detail you will affect the performance or functionality of the product.

All Ciró products are designed for "easy assembly" and/or "plug and play". We recommend a competent mechanic install our products, using standard mechanical procedures to assure a safe and successful installation.

NOTE:

Ciró® warrants that products sold hereunder to the original purchaser, if maintained and operated under normal conditions, shall be free from any defects in materials and workmanship for a period of (3) years from date of purchase, and a lifetime warranty against LED failure.

Ciró will have no obligation if the customer cannot show proof of purchase.

Warranty will not be granted unless the part is properly installed and maintained.

Ciró will not be liable for any consequential and incidental damages, including labor, or non-Ciró products.

Please visit our website Ciro3d.com for our complete warranty policy.