



CIRO CLAMP-ON FLAG MOUNT

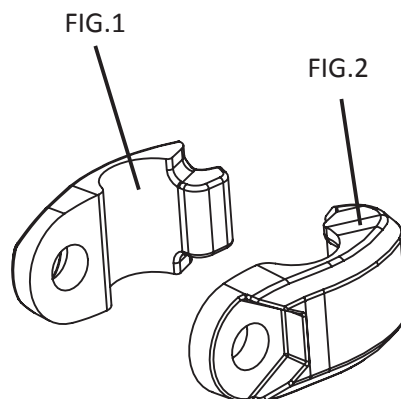
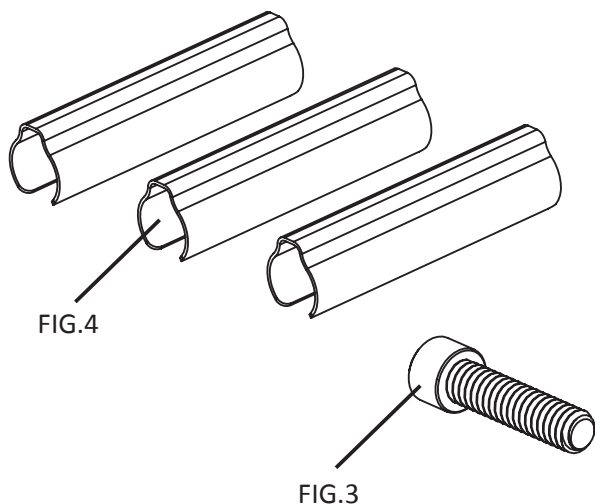
Parts Included:	1	CLAMP ASSEMBLY
	1	1/4-20 X 1.0 SHCS
	3	WIRE CLIPS

INSTALLATION INSTRUCTIONS:

1. Park on a level surface and shut off the motorcycle. Lift motorcycle onto its center stand if available. Ensure the engine has time to cool before installation.
2. Select location to install clamp, ensuring clearances to all surrounding components, and access to your preferred wire routing path.
3. Clean mounting surfaces with ammonia based cleaner, making sure to remove all oil and waxes.
4. Position lower clamp half onto bar (smaller size with round screw cutout). (FIG.1)
5. Clip top clamp half onto bar, engaging the tooth and aligning the screw holes of the clamp halves. (FIG.2)
6. Install 1/4-20 screw through clamps halves into bottom hole of flag pole (sold separately). Be sure to use a quality liquid thread locker. (FIG.3)
7. Tighten to 12 ft.-lbs, checking clamp tightness as you go. Depending on the tubing base diameter, slightly more or less torque may be needed to maintain satisfactory flag position.

For lighted flag products:

1. Route and secure wires as needed, we have included 3 stainless steel clips that can be used to position and hold the wire onto the surrounding tubing, use cable ties as needed. (FIG.4)
2. Refer to instructions included with flag for making final wiring connections.



WARNING:

This indication alerts you to the fact that ignoring the contents described herein can result in potential serious injury or death if not followed.

CAUTION:

This indication alerts you to the fact that ignoring the contents described herein can or will result in material damage and/or personal injury.

ATTENTION:

This indication alerts you to the fact if you ignore this detail you will affect the performance or functionality of the product.

All Ciró products are designed for "easy assembly" and/or "plug and play". We recommend a competent mechanic install our products, using standard mechanical procedures to assure a safe and successful installation.

NOTE:

Ciró® warrants that products sold hereunder to the original purchaser, if maintained and operated under normal conditions, shall be free from any defects in materials and workmanship for a period of (3) years from date of purchase, and a lifetime warranty against LED failure.

Ciró will have no obligation if the customer cannot show proof of purchase.

Warranty will not be granted unless the part is properly installed and maintained.

Ciró will not be liable for any consequential and incidental damages, including labor, or non-Ciró products.

Please visit our website Ciro3d.com for our complete warranty policy.

