

Items Supplied >

2 – FRONT & REAR EXHAUST HEADPIPE / HEATSHIELD ASSEMBLY
1 – MUFFLER ASSEMBLY
1 – EXHAUST BRACKET
3 – CLAMPS HS-24
2 – CLAMPS HS-28
2 – CLAMPS 27-61 MSC
2 – BOLT, HEX 5/16"-18 x 5/8"
2 – BOLT, HEX 3/8"-16 x 3/4"
2 – SCREW, BUTTONHEAD 1/4"-20 x 3/8"
1 – SCREW, S.H.C 3/8"-16 x 2 1/2"
1 – SPACER, FOOTPEG
2 – BILLET MUFFLER TIPS-SLASH CUT

Application(s) >

HARLEY SOFTAIL:
FXST 07-10
FXSTB 07-10
FXSTC 07-10
FXSTD 07-10
FLSTF 07-10
FLSTN 07-10
FLSTSC 07-10
FLSTC 07-10

Instruction Manual >

6851B

Page 1 of 2

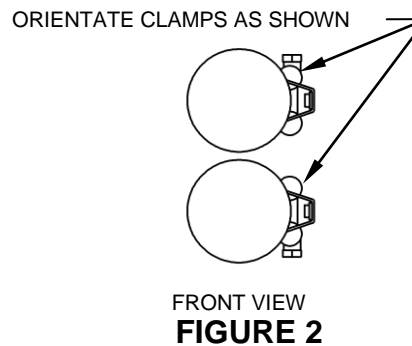
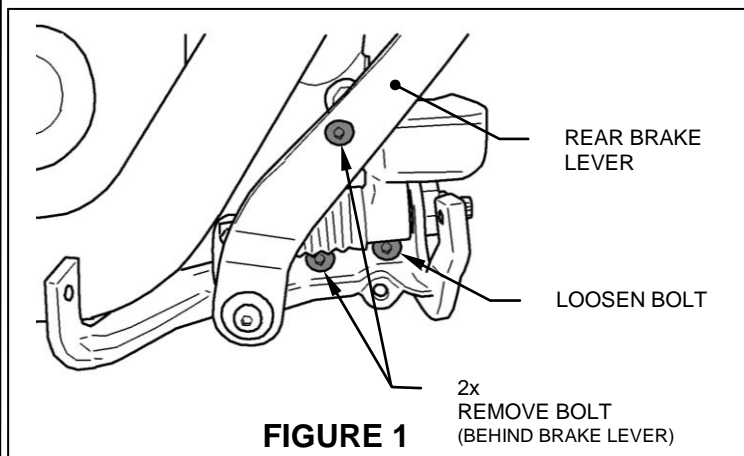
PRIOR TO INSTALLATION, MAKE SURE YOUR STOCK HEADPIPE GASKETS ARE IN GOOD SHAPE. IF YOU HAVE ANY DOUBTS AS TO THEIR CONDITION, REPLACE THEM.

Read all instructions carefully and completely before installing your new exhaust system

1. Unplug O₂ sensors on front and rear headpipes from motorcycle wire harnesses. Remove stock exhaust system. On FLSTC, FLSTN, FLSTF, and FXSTSC, remove the right floorboard. Remove the two floorboard mounting bracket bolts leaving the third in place but loosen and rotate mount down out of the way, See Figure 1. This will make installation of exhaust and heatshields possible.
2. On models FLSTN, FLSTF, and FXSTD, remove the stock upper mounting bar.
3. Using a #50 Torx driver, remove the three mounting bolts, and set the mounting bar aside. (Two of the bolts are visible; removing the right hand passenger foot peg will allow access to the third bolt.) Replace the foot peg using the 3/8"-16 x 2-1/2" bolt and the supplied spacer.
4. Bolts and spacer used in Step #3 may also be used on all Softail models to space the right rear foot peg away from the exhaust system if you so desire.
5. Remove the flanges, retaining rings and O₂ sensors from the stock headpipes.
6. Place the exhaust mount bracket on the motorcycle and bolt into place using the supplied 3/8" bolts.
7. Remove the front and rear headpipes from box and install stock flanges, retaining rings and O₂ sensors onto pipes.
8. Install the front and rear exhaust pipes on the motorcycle using the stock flange nuts but **do not tighten**. Make sure the pipes are parallel with each other.
9. Remove the muffler assembly from the box and slide one supplied clamp #27-61MSC onto each muffler tube. Refer to, Figure 2, for proper alignment.
10. Slide the muffler assembly onto the head pipes by tapping on the head pipes with your hand as you push the mufflers forward making sure the assembly slides as far forward as possible. Secure the muffler assembly to the mounting bracket using the supplied 5/16"-18 bolts but **do not tighten**.
11. Make sure the muffler assembly is parallel to the ground (this is critical) then tighten the following in order, muffler bracket to the frame, muffler assembly to the muffler bracket, head pipe flanges to the motor (slowly tighten opposing nut) and muffler clamps. (NOTE: If the muffler clamps are slid to far up the muffler or past the three slots, the clamps will not tighten.) Plug O₂ sensors back into motorcycle wire harness.

* **Cobra® recommends you always wear a helmet while riding. Please never operate your motorcycle while under the influence of alcohol and/or drugs. Enjoy the new look of your motorcycle and please ride safely.**

12. Unscrew the remaining hose clamps and feed the tail end of the clamp through the clips on the inside of the heat shields. The screw end of the hose clamp should be accessible for tightening but not visible when the heat shields are mounted to the pipes.
13. To install the front heatshield, first slide the rear portion of the heatshield over the muffler, continue to slowly slide it forward pushing the front of the shield gently into place between the frame and motor (Hint: Spread the hose clamps apart slightly to make it easier to slide them over the muffler assembly and head pipes). Make sure the muffler clamps don't interfere with the heatshields and are aligned as shown in Figure 2. Snug the heatshield clamps but **do not tighten**.
14. Install the rear heatshield the same way as the front heatshield.
15. Make sure the front and rear heatshields are even on the back with each other. Install one billet tip on each heatshield making sure the angled ends of the tips are parallel with each other. Fasten the tips with the supplied ¼-20 screws making sure they snug up against the heatshield leaving no gap between the tip and heatshield when tightened. **If it is difficult to slide the tips into the heatshields loosen the clamps on the heatshield, failure to do this may cause damage to the chrome tips.**
16. Tighten the clamps on the heatshield.
17. Rotate the floorboard mount back into place and retighten bolts to factory specifications. Reinstall the right floorboard with its original hardware.
18. Make sure all the hardware (brackets, headpipes, heatshields, mufflers and baffles) has been tightened appropriately and cleaned before starting your motorcycle.



IMPORTANT: Your motorcycle is equipped with fuel injection; it is recommended that you install a Cobra Fi2000® Digital Fuel Processor with your Cobra exhaust system. For 2007 Models use **Part #692-1607CL**; For 2008-2010 Models use **Part #692-1614CL**) Cobra is not responsible for the performance of any other fuel management system used with Cobra exhaust systems.

CLEANING INSTRUCTIONS: To clean your black exhaust system use a liquid based soap detergent, such as dishwashing soap applied with a soft cloth and rinse with clean water. **Note: Avoid abrasive cleaning methods such as granular or dry cleansers, simple green, scotch-brite or steel wool pads. Abrasives may breach the coating and shorten life.**

California does not allow the use of aftermarket exhaust systems that remove original equipment catalyts, (except for racing use only) unless the Air Resources Board has issued an Executive Order for that system.