



## Custom Dynamics® 7" LED Headlamp Installation Instructions

We thank you for purchasing the Custom Dynamics® 7" LED headlamp! Our products utilize the latest technology and high quality components to ensure you the most reliable service. We offer one of the best warranty programs in the industry and we back our products with excellent customer support, if you have questions before or during installation of this product please call Custom Dynamics® at 1(800) 382-1388.

**Part Number: CD-7-14-B CD-7-14-C**

### Package Contents:

- 7"LED Headlamp (1)
- H4-Tour Adapter (1)
- Instructions

**Fits:** 2014-2022 Harley-Davidson® Street Glide (FLHX), Street Glide Special (FLHXS), Street Glide ST (FLHXST), CVO™ Street Glide (FLHXSE), Electra Glide Standard (FLHT), Electra Glide Ultra Classic (FLHTCU), Electra Glide Ultra Classic Lo (FLHTCUL), Ultra Limited (FLHTK), Ultra Limited Lo (FLHTKL), CVO™ Limited (FLHTKSE), Road King (FLHR), Road King Special (FLHRXS) and CVO™ Road King (FLHRSE), Tri Glide Ultra (FLHTCUTG), CVO™ Tri Glide (FLHTCUTGSE), Freewheeler (FLRT) & 1984-2017 FL Softail models with OEM 7" headlight buckets.

**Note:** 2014-2022 Harley-Davidson® Road King (FLHR), 2017-2020 Road King Special (FLHRXS), and 2020-2022 Freewheeler (FLRT) require adapter CDTB-H4H9H11(sold separately).



### **Installation:**

1. Disconnect the vehicle battery negative [ - ] terminal.
2. Review detailed service manual for instructions on replacing factory headlamp.
3. Remove the factory headlamp from vehicle.
4. Connect the 7" LED headlamp to the existing factory H4 plug and re-install according to your detailed service manual. Make sure no wire or any components of the harness can be pinched during installation and that they will not be exposed to water spray, excessive heat or moving parts.

**Note:** 2014-2022 Street Glide, Electra Glide, Ultra, Tri Glide models (Including CVO™), 2014 Road King CVO™ and 2021-2022 Road King Special models will need to use the included H4-TOUR-ADAPTER. If your headlight electrical harness connector does not match the flat 4 pin connector of the H4-TOUR-ADAPTER, follow your bike's harness back into the fairing until you find your bike's flat 4 pin connector.

5. Re-connect vehicle battery negative [ - ] terminal.
6. Test high and low beam functions of headlamp.
7. Properly Aim the headlamp for maximum performance.



## ATTENTION



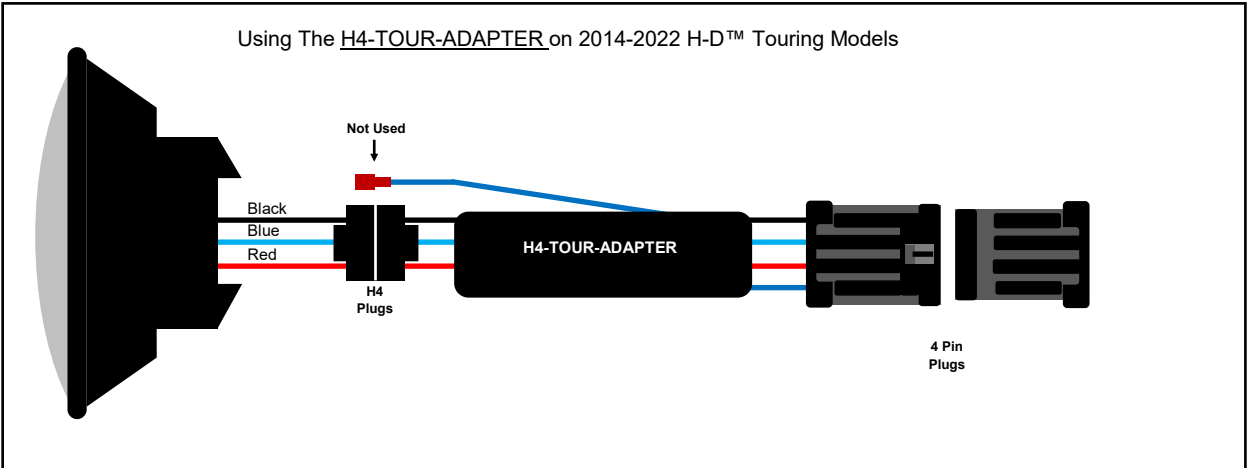
Please read all Information below before Installation

**Important:** Due to the increased light output from this unit, it is recommended you take the vehicle to a dealer to have the headlamp properly adjusted. Weight and tire pressure can affect the position of the light.

**Warning:** To prevent possible electrical shock, disconnect the negative battery terminal before installing this product.

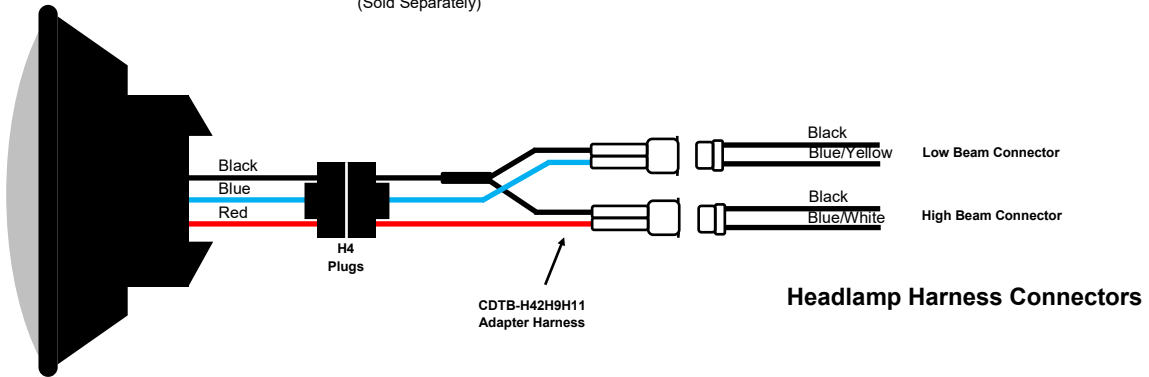
Questions? Call us at: 1 (800) 382-1388 M-TH 8:30AM-5:30PM / FR 9:30AM-5:30PM EST

# Installation Instructions - Page 2



Using The CDTB-H42H9H11 on 2014-2022 H-D™ Road King/Freewheeler Models

(Sold Separately)



Questions? Call us at: 1 (800) 382-1388 M-TH 8:30AM-5:30PM / FR 9:30AM-5:30PM EST