



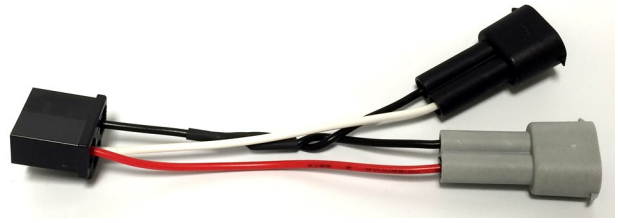
Custom Dynamics® LED Headlamp Adapter Installation Instructions

We thank you for purchasing the Custom Dynamics® LED Headlamp Adapter. Our products utilize the latest technology and high quality components to ensure you the most reliable service. We offer one of the best warranty programs in the industry and we back our products with excellent customer support, if you have questions before or during installation of this product please call Custom Dynamics® at 1(800) 382-1388.

Part Number: CDTB-H42H9H11

Package Contents:

- LED Headlamp Adapter (1)
- Instructions (1)



Fits: 2014 & Up Harley-Davidson Road King Models



ATTENTION

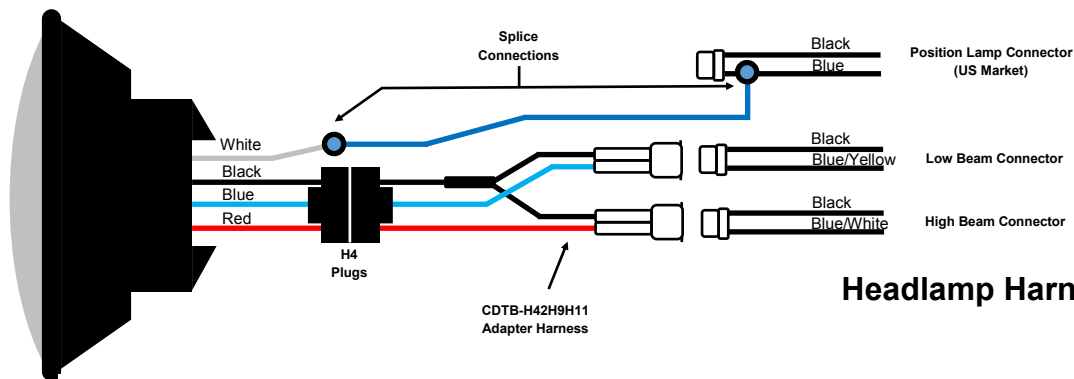
Please read Information below before Installation

Warning: To prevent possible electrical shock, disconnect the negative Battery terminal before installing this product.

Fitment Note: The Halo function should be spliced in on the Position Lamp Connector (US Models) or to the Low beam Positive connector wire (HDI Models). The white wire may need to be extended depending on the location of the harness connectors.

Installation

1. Follow the instructions in the TruBEAM™ Headlamp installation guide for installing headlamp.
2. Plug the H4 Connector on the Adapter to the TruBEAM™ H4 Connector.
3. Plug the adapter 2 pin low beam connector (identified by BLACK and BLUE or BLACK and WHITE wires) into the bikes headlamp harness low beam connector (identified by Black and Blue/Yellow wires). See diagram below.
4. Plug the adapter 2 pin high beam connector (identified by Black and RED wires) into the bikes headlamp harness high beam connector (identified by Black and Blue/Yellow wires). See diagram below.
5. Halo (Optional): Splice the white wire from the TruBEAM™ lamp to the Position lamp connector in the bikes headlamp harness. The spade connector may be removed if needed.



Headlamp Harness

Questions? Call us at: 1 (800) 382-1388 M-TH 8:30AM-5:30PM / FR 9:30AM-5:30PM EST