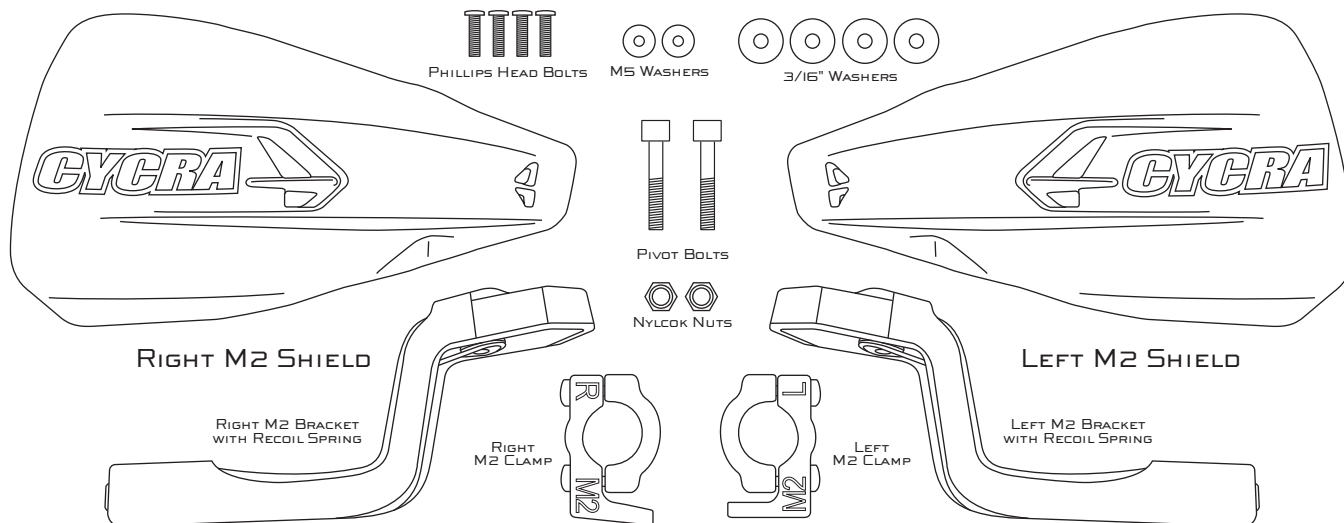




M2 RECOIL COMPLETE RACER PACK

THIS RACER PACK COMES COMPLETE WITH ALL MOUNTING HARDWARE, AND HANDSHIELDS.

THESE HANDGUARDS PROVIDE YOU WITH THE MAXIMUM AMOUNT OF FREEDOM COMBINED WITH SUPERIOR PROTECTION FROM THE ELEMENTS.



INSTALLATION INSTRUCTIONS:

NOTE: BRACKETS, CLAMPS AND SHIELDS ARE RIGHT AND LEFT SPECIFIC. (BRACKETS AND CLAMPS ARE LABELED "R" AND "L")

1. (FIGURE 1) PLACE 3/16" WASHER ONTO PIVOT BOLT.
2. (FIGURE 2) PLACE BRACKET ONTO BACK OF SHIELD WITH THE END OF THE SPRING IN THE IN-MOLDED SLOT ON THE BACK OF THE SHIELD. (NOTE: BRACKETS ARE LABELED "R" AND "L")
3. (FIGURE 3) PUSH BRACKET INTO PLACE LINING UP THE HOLES ON THE SHIELD WITH THE HOLE ON THE BRACKET.
4. (FIGURE 4) INSERT PIVOT BOLT WITH 3/16" WASHER THROUGH HOLES ON SHIELD AND BRACKET.
5. (FIGURE 5) INSTALL 3/16" WASHER, M5 WASHER AND NYLOCK NUT ONTO PIVOT BOLT AND TIGHTEN ACCORDINGLY. (NOTE: OVERTIGHTENING WILL HINDER RECOIL ACTION.)
6. (FIGURE 6) SLIDE CLAMP INTO SLOT ON BRACKET. INSTALL CLAMP TO BRACKET USING PHILLIPS HEAD BOLTS. (NOTE: CLAMPS ARE LABELED "R" AND "L")
7. (FIGURE 7) REMOVE PHILLIPS HEAD BOLTS THAT ARE HOLDING BOTH SIDES OF CLAMPS TOGETHER.
8. (FIGURE 8) PLACE BOTH HALVES OF CLAMP OVER HANDLEBARS. INSTALL CLAMP IN APPROPRIATE POSITION.
9. CHECK FOR TIGHTNESS AND ENSURE THAT ALL CONTROLS/CABLES WORK FREELY AND ARE CLEAR OF ANY OBSTRUCTIONS!!!

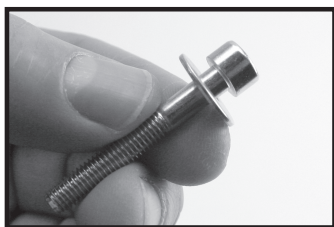


Figure 1

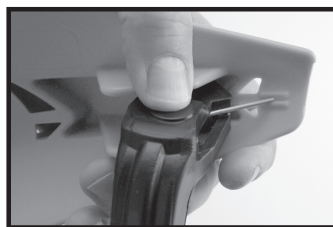


Figure 2

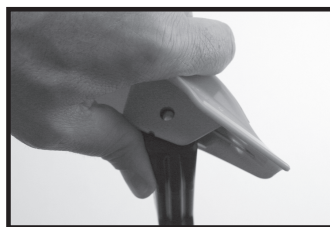


Figure 3



Figure 4



Figure 5



Figure 6

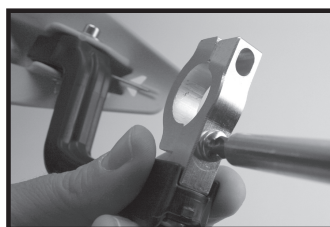


Figure 7

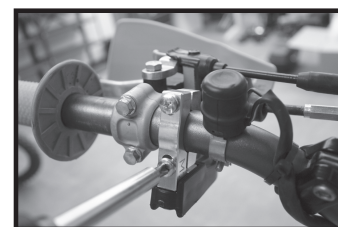


Figure 8

WARNING: M2 RECOIL HANDSHIELDS ARE DESIGNED FOR USE ON OFF-ROAD MOTORCYCLES ONLY. THEY ARE NOT DESIGNED FOR ANY OTHER PURPOSE OR ANY OTHER CLASS OF MOTORCYCLE. M2 RECOIL HANDSHIELDS ARE DESIGNED TO PROTECT FROM ROOST AND DEBRIS. HOWEVER, THEY MAY NOT PREVENT INJURY.

M2 RECOIL IS A TRADEMARK DESIGN - CYCRA DBA SV PLASTICS LLC