

FEEL THE HEAT!

DragonFire Universal Spare Tire Carrier

Part # **04-0044 / 04-0046** Spare Tire Carrier Universal Black

Congratulations on your purchase of the DragonFire Universal Spare Tire Carrier! As part of our universal modular cage system, this spare tire carrier is a great addition to the OEM roll cage on any side by side. This easy bolt-on setup will provide you with a lightweight and stylish option for bringing a spare wheel and tire with you on your rides. Be sure to check out the full line of DragonFire Accessories for your vehicle at your local authorized dealer or online at <http://www.DragonFireRacing.com>

WHEEL NOT INCLUDED

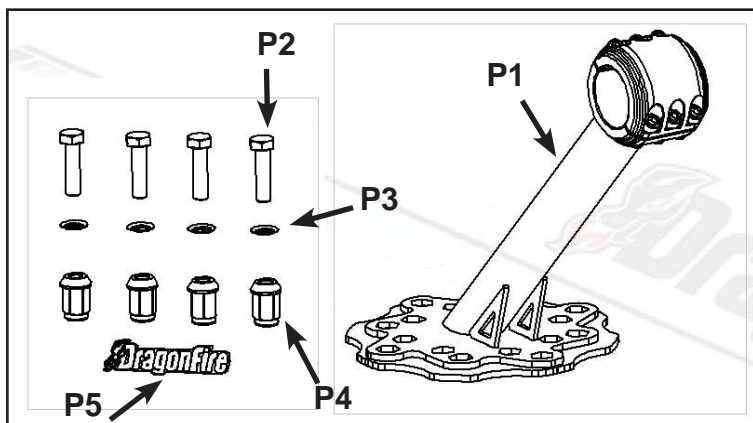
WARNING

- Read and understand these instructions before installing product
- This product does not provide roll over protection
- Ensure doors are securely latched and locked prior to operating vehicle
- Do not use product if there are any signs of damage

Disclaimer

Off road activities can be hazardous and could lead to injury, dismemberment, paralysis and death. No warranty of representation is made as to the products ability to protect the user from any injury or death. The user assumes that risk. The acceptance and /or use of this merchandise purchased from DragonFire by the customer hereby shall release DragonFire from any and all liability pertaining to the use of such merchandise.

Pre-installation: Lay out components and compare to list and images.



Tools Required

14mm Socket
Ratchet Wrench
1/4" Allen Wrench (04-0046)
3/16" Allen Wrench (04-0044)

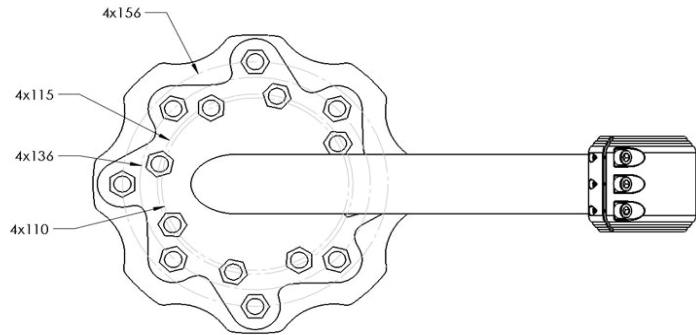
Part & Hardware List

ITEM	QTY	SIZE	LENGTH	TYPE	STEP USED
P1	1	-	-	Spare Tire Carrier	All
P2	4	M10x1.25	40	Hex Bolt	2
P3	4	10mm	-	Push Nut	3
P4	4	M10x1.25	-	Lug Nut	5
P5	1	-	-	DFR Curved Badge	6

Step 1: Reference the color coded plate on the spare tire carrier along with the bolt pattern table to identify your wheel's bolt positions. (Figure A/B)

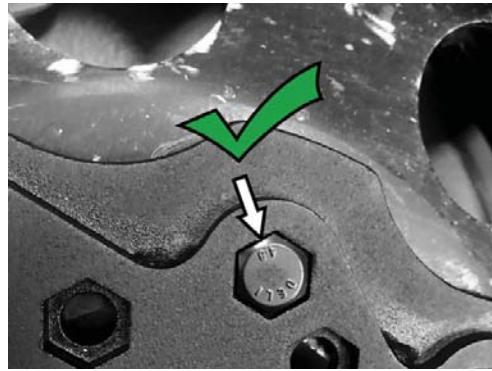


Bolt Patterns	
4-110	4-136/137
4-115	4-156



Step 2: After identifying your bolt pattern, place a hex bolt(P2) in each hole from the rear. You may verify the bolt pattern by placing your wheel flat on the ground and putting on the spare tire carrier with bolts. Make sure each bolt is aligned with the wheel bolt holes. (Figure C)

Note: PROPERLY ALIGN EACH BOLT HEAD WITH THE HEX SEAT ON THE SPARE TIRE CARRIER AS SEEN IN THE FOLLOWING PICTURES.



Step 3: Once you verify the correct pattern, place a push nut(P3) onto each bolt. Press each push nut firmly down to the plate. These will be pressed down also when putting on your wheel. (Figure D)



Step 4: Install the spare tire carrier onto your vehicle with position of the wheel in mind. Torque clamp hardware to 7 ft-lb (84 in-lb). Do not over torque the bolts on the clamp.

WARNING: DO NOT POSITION SPARE TIRE CARRIER AND WHEEL INSIDE PASSENGER CABIN.

TIP: Be sure position of wheel does not obstruct any doors, racks or cargo.

Step 5: Place your wheel onto the spare tire carrier and install lug nuts(P4) onto each bolt. Torque each lug nut to 30 ft-lb.

Step 6: Adhere your DFR logo badge(P5) onto the spare tire carrier tube where desired.

ProTip: Periodically check all hardware and re-tighten if needed.

For further assistance please contact us at customerservice@dragonfireracing.com or 1-800-708-9803.