

FEEL THE HEAT!

Quick Release Fire Extinguisher Mount

Part # **04-0808** Fire Extinguisher Mount Black
Part # **04-0810** Fire Extinguisher Mount T-Handle

Congratulations on your purchase of the DragonFire quick release fire extinguisher mount. When it comes to driving off road fire extinguishers are considered required equipment. They not only protect you and your passengers but also that rolling investment you're sitting in. This kit gives you the protection you need at the pull of a pin. Be sure to check out the full line of DragonFire Accessories for your vehicle at your local authorized dealer or online at <http://www.DragonFireRacing.com>

Designed for 3" Fire Extinguisher
Fits: 1.5"-2" Round Tube Cage



- Read and understand these instructions before installing product
- This product may damage finish on clamped surfaces
- Regularly inspect fire extinguisher pressure and service/replace as necessary
- Do not use product if there are any signs of damage

Tools Required
5/32" Allen
3/16" Allen
9/64" Allen

Disclaimer

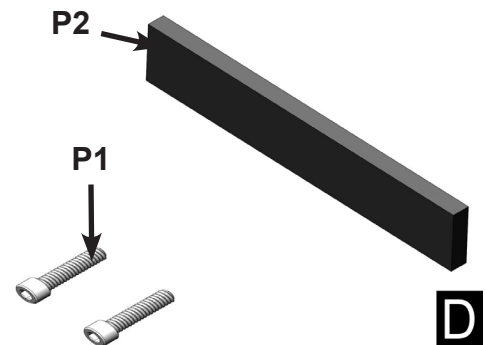
Off road activities can be hazardous and could lead to injury, dismemberment, paralysis and death. No warranty of representation is made as to the products ability to protect the user from any injury or death. The user assumes that risk. The acceptance and /or use of this merchandise purchased from DragonFire by the customer hereby shall release DragonFire from any and all liability pertaining to the use of such merchandise.

Step 1: Place vehicle on a flat and level surface. Place gear selector in "Park" and remove keys from the ignition.

Step 2: Remove Pin and separate cage clamp from extinguisher clamp (**Figure B**). If you lose the Pin, You can purchase our Fire Extinguisher Mount T-Handle (**Part # 04-0810**) as the replacement (**Figure A**).

Step 3: Locate a desired location for the mount on your cage. Make sure that you leave enough room for the extinguisher and that it can be reached from outside the vehicle. Install cage clamp by removing two Allen head bolts and assembling the two clamp halves around the roll cage tube. Secure by re-installing two Allen head bolts. (**Figure C**)

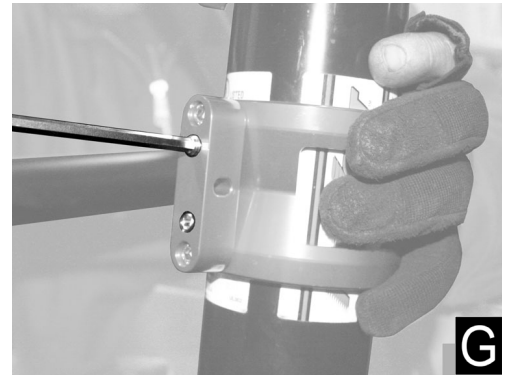
Note: Cage tube that are 1.75" and under, use the 2 shorter bolts 1/4"-20 x 1" [P1], as they do not protrude too far pass the clamp. For cage tubes that are 1.50", place the rubber insert [P2] between the clamp and tube for proper fitment and use appropriate bolt length so the bolt does not protrude too far pass the clamp. (**Figure D**)



Step 4: Install fire extinguisher into clamp by loosening 4 Allen head bolts and sliding extinguisher in. You can use any **Approved ADOT Automotive Fire Extinguisher** that is 2.5lbs to 3.5 lbs, and is approximately 3 inches in diameter. You can find this fire extinguisher at any local hardware store. Secure extinguisher by tightening 4 allen head bolts evenly. Make sure that mount base is perpendicular to extinguisher nozzle and handle. (**Figure E**)

Step 5: Install extinguisher with clamp onto cage clamp and secure with pull pin. Make sure to remove any play by threading two brass inserts on bottle clamp in or out. Be sure to test mount function before use. (**Figures F & G**)

This completes installation. Time to ride and enjoy!



ProTip: Periodically check all hardware and re-tighten if needed.

For further assistance please contact us at customerservice@dragonfireracing.com or 1-800-708-9803.