

A1 SET LOWER ARMATURE POSITION

6Nm
(53 in*lb - SNUG + 90°)

NARROW POSITION
(NORMAL)

A2 SET LOWER ARMATURE POSITION

6Nm
(53 in*lb - SNUG + 90°)

WIDE POSITION
(BIKES WITH DROPPED CHAINSTAYS)

B OPENING UPPER SLIDER

1Nm
(8 in*lb - SNUG + 90°)

C SET UPPER SLIDER POSITION

1Nm
(8 in*lb - SNUG + 90°)

D ADJUST CHAINLINE

SHIMS (ISCG05) & SPACERS

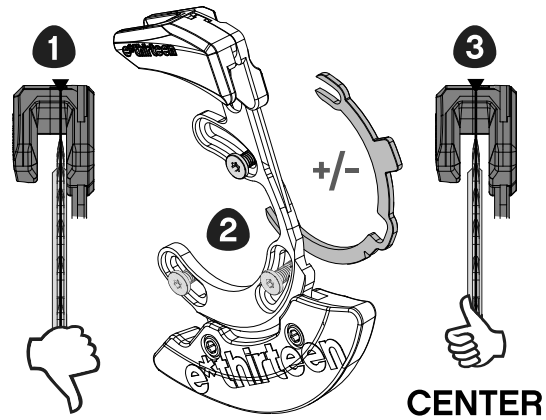
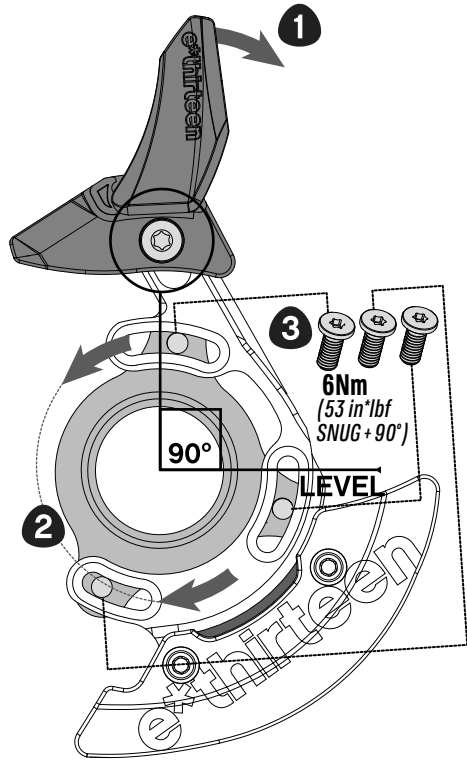
6Nm
(53 in*lb - SNUG + 90°)

E SET LOWER ROLLER POSITION

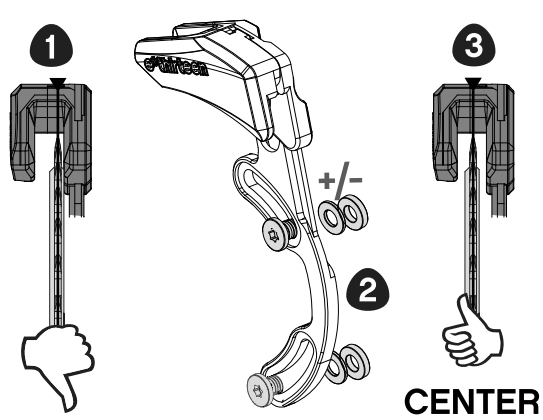
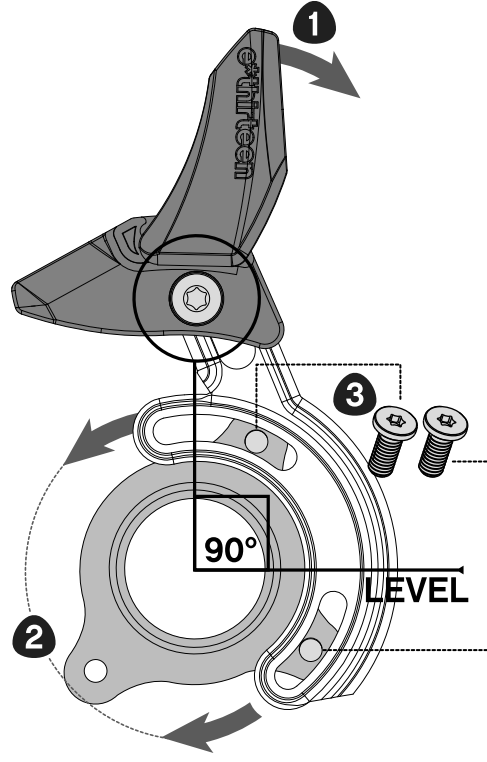
1Nm
(8 in*lb - SNUG + 90°)

F GUIDE CLOCKING: PINCHBOLT AT 12 O'CLOCK

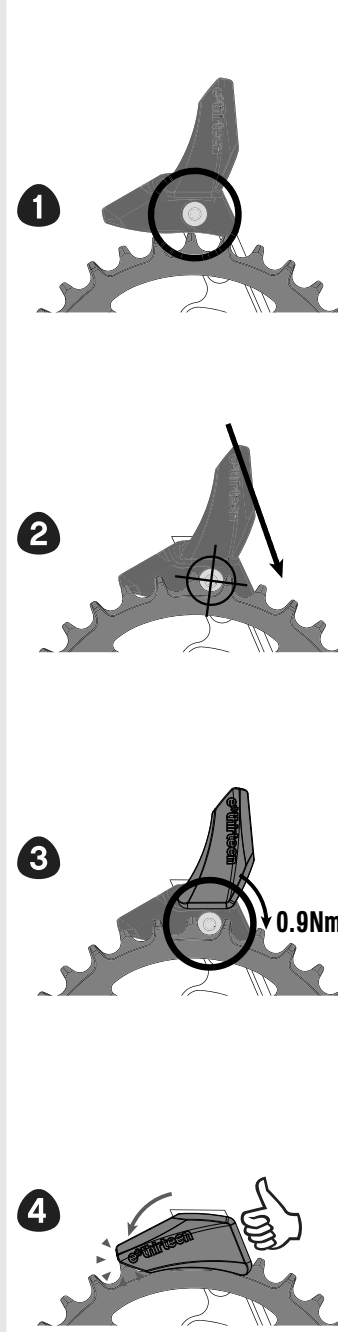
ISCG05 3-BOLT MOUNT



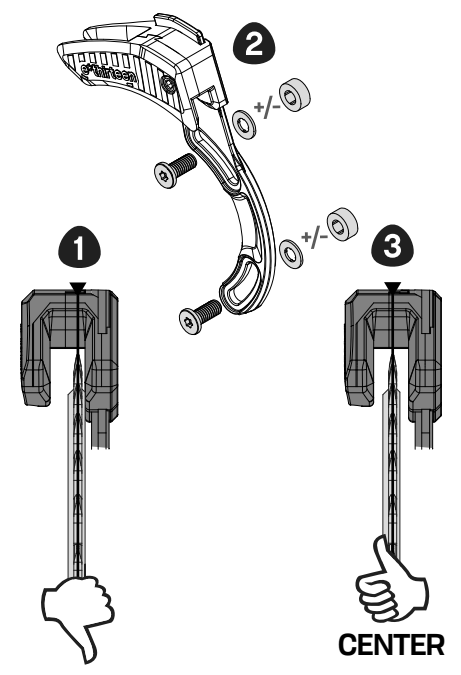
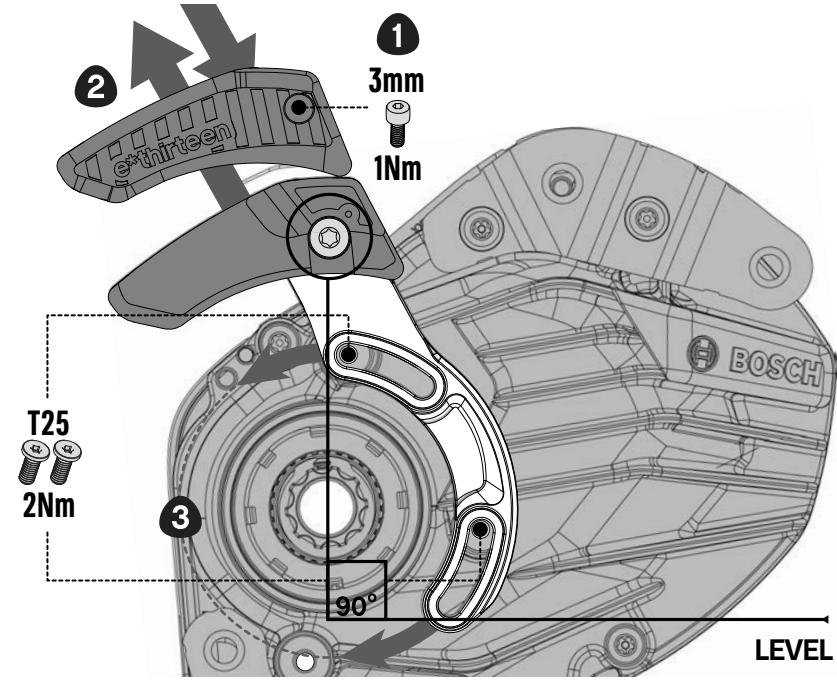
ISCG05 2-BOLT MOUNT



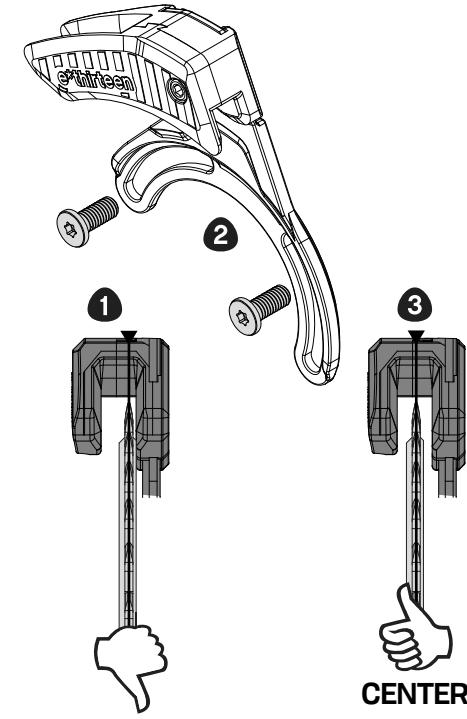
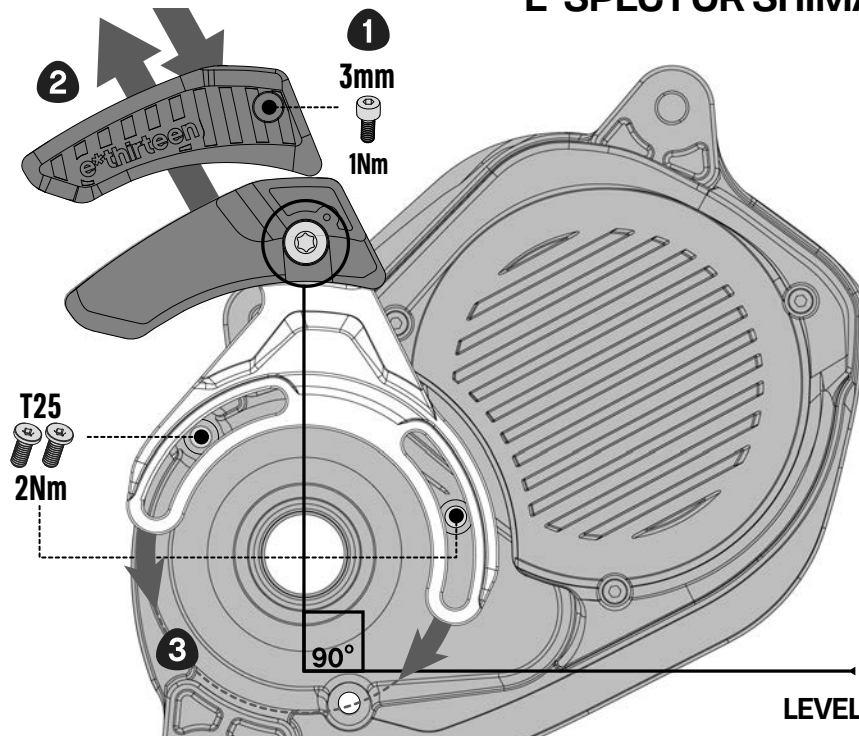
UPPER SLIDER ALIGNMENT ALL TRS GUIDES



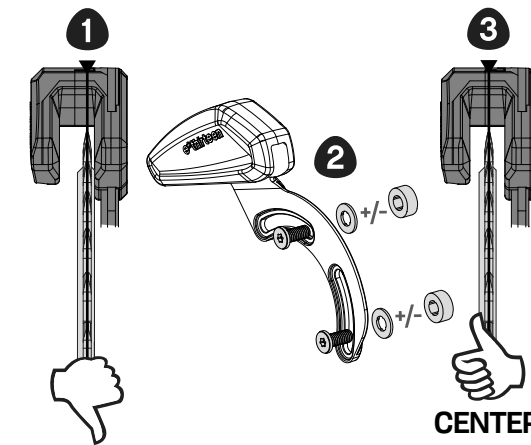
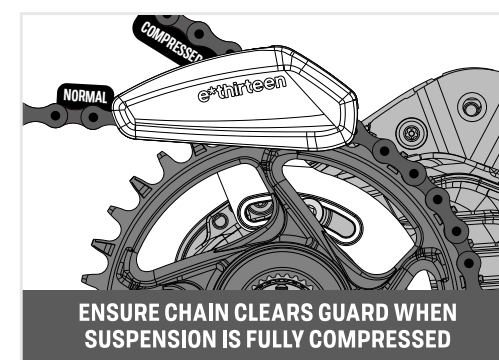
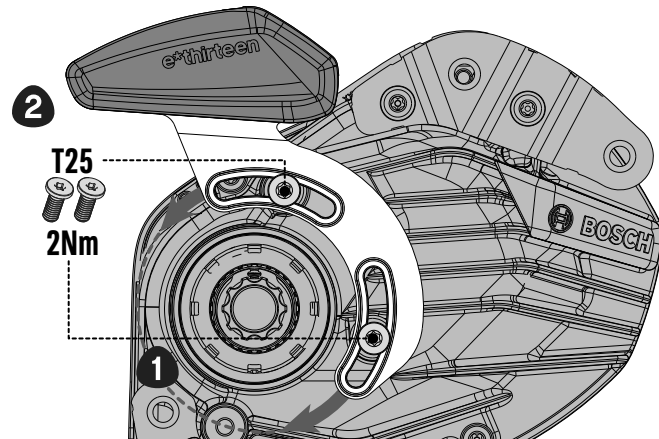
E*SPEC CHAINGUIDE FOR BOSCH™



E*SPEC FOR SHIMANO™



E*SPEC CHAINGUARD FOR BOSCH™



STILL HAVE QUESTIONS?

SUPPORT.BYTHEHIVE.COM