

RP7711 - RP7711K

PARACOPPA - OIL CARTER PROTECTOR - SABOT MOTEUR - SPEZIFISCHER MOTORSCHUTZ - CUBRE CARTER - COBRE CARTER

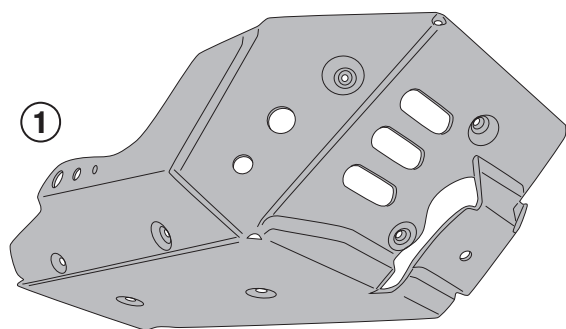
KTM 390 ADVENTURE (2020)

N°	Descrizione/Description	Caratteristiche/Features	Codice/Code	Quantità/Quantity
1	Paracoppa - Oil Carter Protector Sabot Moteur - Spezifischer Motorschutz Cubre Carter - Cobre Carter	-	7711RP	1
2	Vite - Screw Vis - Schraube Tornillo - Parafuso	TBEI M6x30	630TBEI	1
3	Rondella In Nylon - Nylon Washer Rondelle Original En Nylon - Nylonscheibe Arandela De Nylon - Arruela De Nylon	Foro Ø6mm / Esterno Ø13mm Sp. 0,5mm	Z1979	9
4	Rondella Inox - Stainless Steel Washer Rondelle Inox - Rostfreie Unterlegscheibe Aus Stahl Arandela Inox - Arruela Lisa De Aço Inox	Foro Ø6mm / Esterno Ø16mm Sp. 2mm	616RONX	1
5	Distanziale - Spacer Entretoise - Distanzstueck Distanciador - Espaçador	Ø18x9 Foro 8,5mm	C18L9F8,5T	1
6	Distanziale - Spacer Entretoise - Distanzstueck Distanciador - Espaçador	Ø20x3 Foro 6,5mm	C20L3F6,5T	1
7	Distanziale - Spacer Entretoise - Distanzstueck Distanciador - Espaçador	-	V064	9
8	Componenti Originali - Original Parts Parties Originales - Original Bauteile Componentes Originales - Componentes Originais	-	-	-

RP7711 - RP7711K

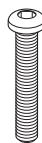
PARACOPPA - OIL CARTER PROTECTOR - SABOT MOTEUR - SPEZIFISCHER MOTORSCHUTZ - CUBRE CARTER - COBRE CARTER

KTM 390 ADVENTURE (2020)



1

2



M6x30mm

3



Hole Ø6mm/
External Ø13mm/
D.0,5mm

4



Hole Ø6mm/
External Ø16mm/
D.2mm

5



Hole Ø8,5mm/
External Ø18mm/
H.9mm

6

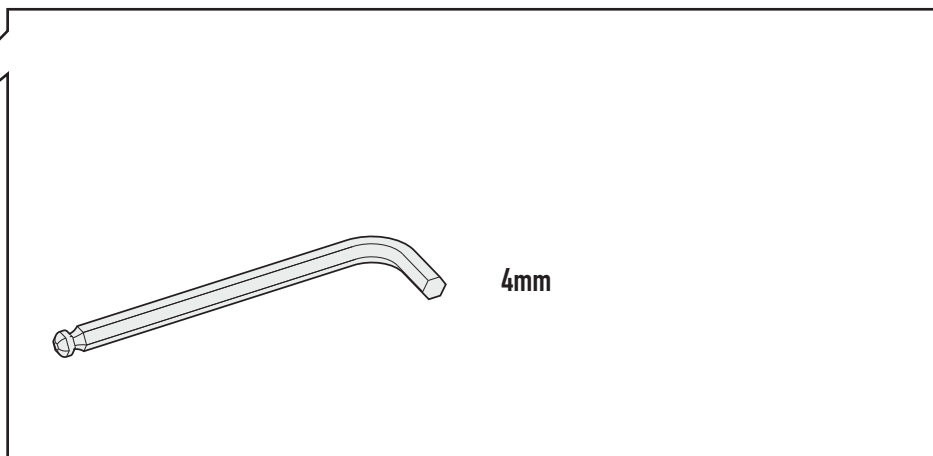
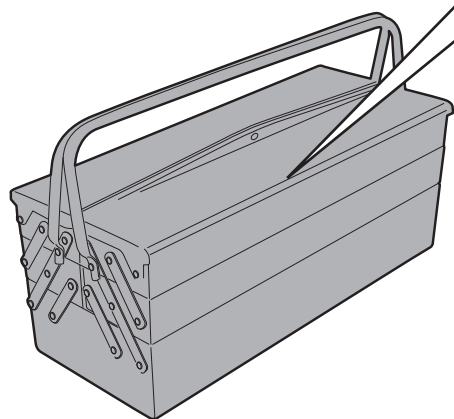


Hole Ø6,5mm/
External Ø20mm/
H.3mm

7



V064



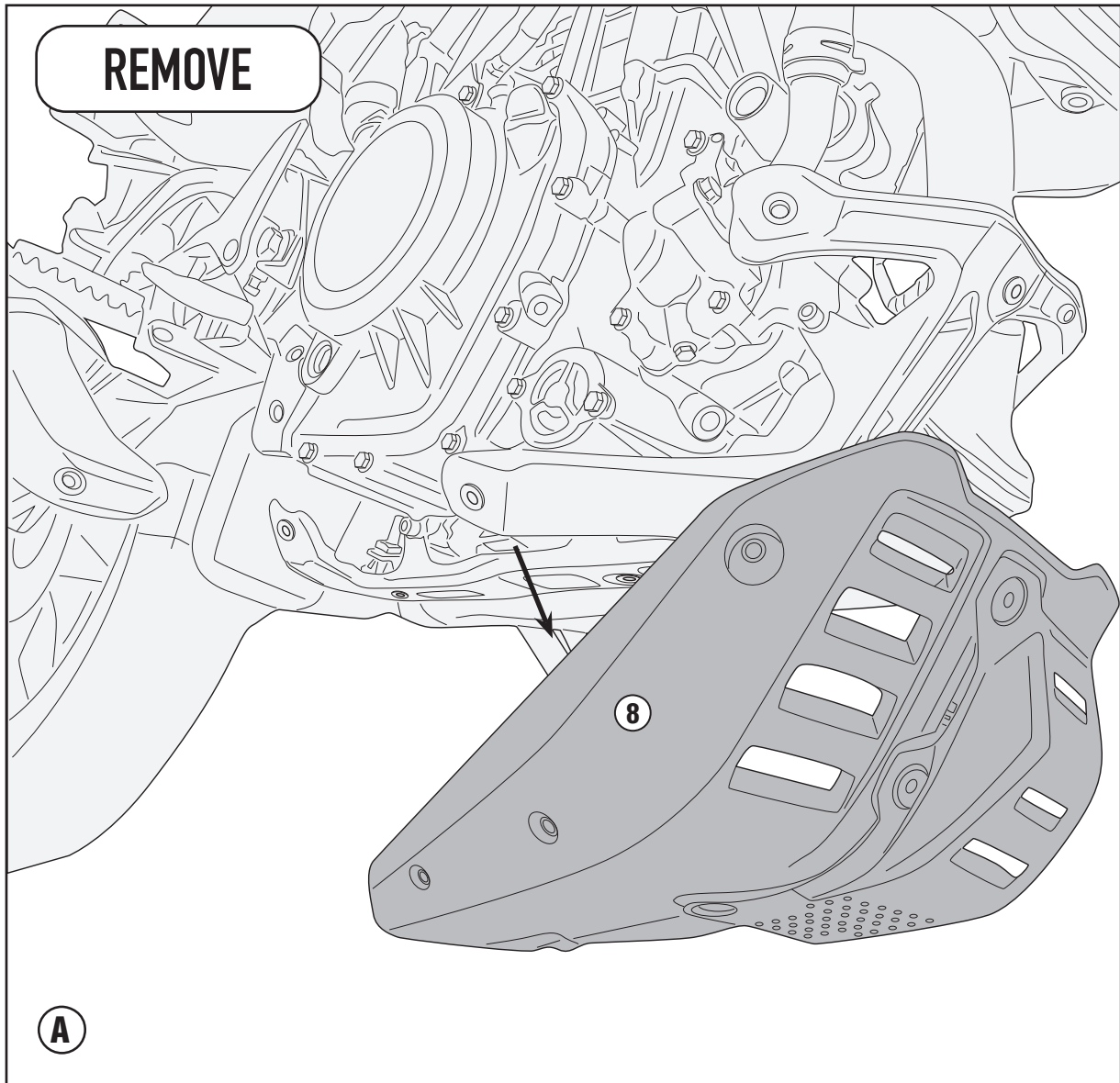
4mm



RP7711 - RP7711K

PARACOPPA - OIL CARTER PROTECTOR - SABOT MOTEUR - SPEZIFISCHER MOTORSCHUTZ - CUBRE CARTER - COBRE CARTER

KTM 390 ADVENTURE (2020)



RP7711 - RP7711K

PARACOPPA - OIL CARTER PROTECTOR - SABOT MOTEUR - SPEZIFISCHER MOTORSCHUTZ - CUBRE CARTER - COBRE CARTER

KTM 390 ADVENTURE (2020)

