



www.HeatDemon.com



## Instructions for Thumb Warmer Kit

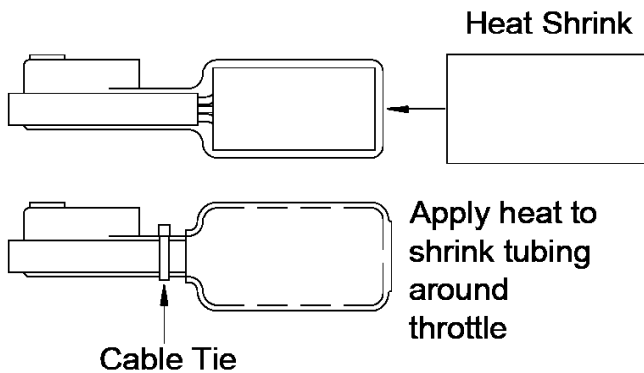
Part Numbers: 210008

### Items Required for Installation

- Drill with a 13/16" Bit

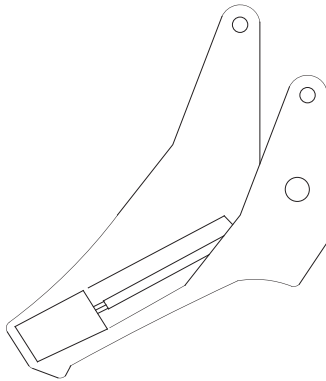
**Need technical support?** Email us at [sales@symtec-inc.com](mailto:sales@symtec-inc.com), or visit [YouTube.com/HeatDemon](http://YouTube.com/HeatDemon) for instructional videos.

## ATV Thumb Warmer Installation



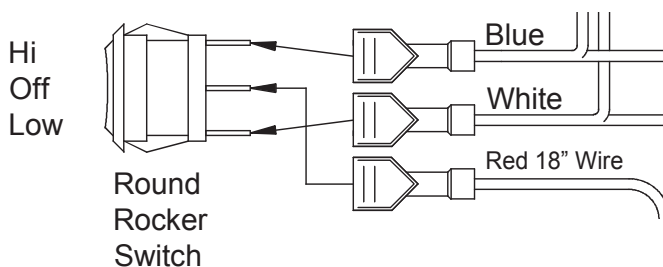
1. Peel the release paper from the thumb warmer and adhere it to the throttle, facing the rider.
2. Slide the heat shrink tubing over the thumb warmer and throttle. Use a heat gun to shrink the tubing. Be careful not to burn it.
3. Use one cable tie to secure the wires to the throttle. If using additional cable ties to secure the wires to the handlebar, be sure to provide a strain relief so the throttle does not strain the wires when in the full open position.

## Snowmobile Thumb Warmer Installation



1. Peel the release paper from the thumb warmer and adhere it to the throttle, facing the rider.
2. Peel the release paper from the foam wind pad and place it over the thumb warmer.
3. Use one cable tie to secure the wires to the throttle. If using additional cable ties to secure the wires to the handlebar, be sure to provide a strain relief so the throttle does not strain the wires when in the full open position.

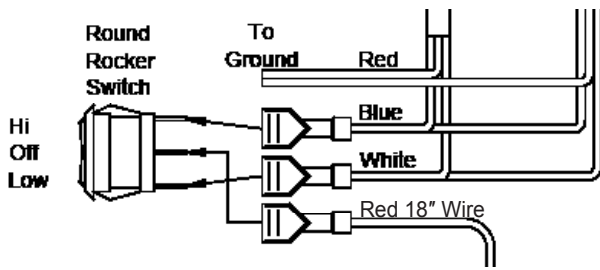
## Switch Installation



1. Disconnect the battery leads, negative first.
2. Drill a 13/16" hole in the chosen location for the switch.
3. Route the thumb warmer wire along the handlebar and secure.
4. Attach the female crimp-on connectors to the blue and white wires.
5. Connect the wires to the switch as shown, then clip into the hole.

**Note:** Placing the high/low switch in a vertical orientation is preferred, in order for water to properly drain from inside.

# Electrical Connections



1. Connect the red 18" wire to a 12V keyed-power wire.
2. Connect the red wires from the thumb warmer to a ground wire.  
**Note:** Do not ground the electrical system to the vehicle frame.
3. Reconnect the battery leads. With the vehicle and controller on, you should start to feel heat in approximately 5-10 minutes.

# Warranty & Damage

This Heat Demon product has a five year limited warranty.

The warranty does not cover:

- Products worn by use;
- Tampering or misuse of the product, including operation outside of design specifications;
- Damages made to products installed incorrectly, including shorting or pinched wires;
- Damages caused by crashes or natural disasters.

Because Heat Demon does not have any control over the connection and use of the product, or any other related electronics, no liability will be assumed nor accepted for damage resulting from the use of the product. In no case shall liability exceed the product's original cost.



Steering Wheel



Seat Heaters



Grip Heaters

**SYMTEC™**

Visit [www.HeatDemon.com](http://www.HeatDemon.com) for more Heat Demon products.