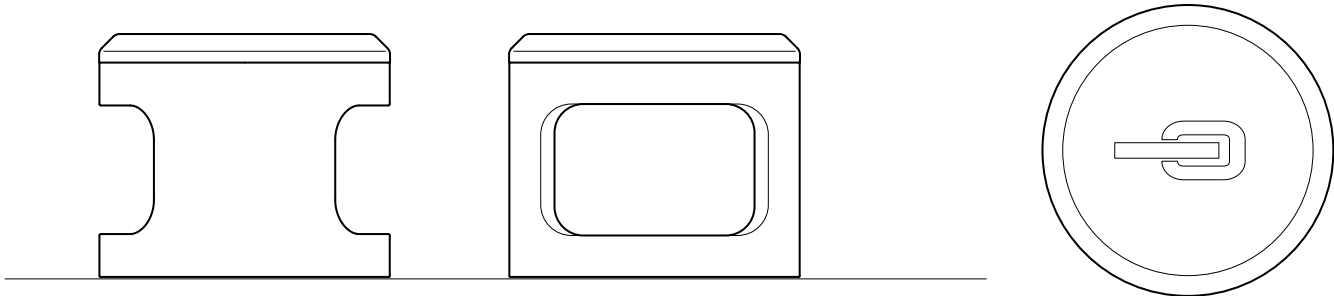


HIPLØK ANKR



| | |
|------------------------|--|
| LOCK TYPE | Wall / Ground Anchor |
| SECURITY RATING | Maximum |
| SECURITY AWARDS | Sold Secure Diamond Bicycle, Sold Secure Gold (Motorcycle, Ground Anchor), ENRA |
| DIMENSIONS | 100 x 100 x 85mm |
| HOLE DIMENSIONS | 70 X 45 mm |
| WEIGHT | 1174g |
| FEATURES | <ul style="list-style-type: none"> Unique easy fit design 4 x secure fixings included Ground of wall use Rubberized frame protection |

| | | | | |
|------------------------|--|--|--|---|
| COLOURS / CODES | All Black ANKR1AB | White ANKR1WT | Red ANKR1RD | Light Grey ANKR1LG |
|------------------------|--|--|--|---|

REGISTER YOUR HIPLØK NOW

LIFETIME WARRANTY



We stand by the quality of our locks and are proud to offer lifetime warranty on all Hiplok keyed chain and D locks. Register your lock now for piece of mind.

Product must be registered at hiplok.com within 30 days of purchase to qualify for Lifetime Warranty. Lifetime Warranty covers standard wear and tear and does not apply to products subjected to attempted theft or abuse.

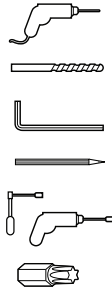
Full Terms and Conditions at www.hiplok.com/register

WWW.HIPLØK.COM/REGISTER

HIPLÖK ANKR

TOOLS REQUIRED FOR FITTING

- Electric drill
- 6mm masonry drill bit
- 10 mm allen key
- Pencil
- Impact driver or socket wrench with extension
- T30 driver bit



IMPORTANT INFORMATION



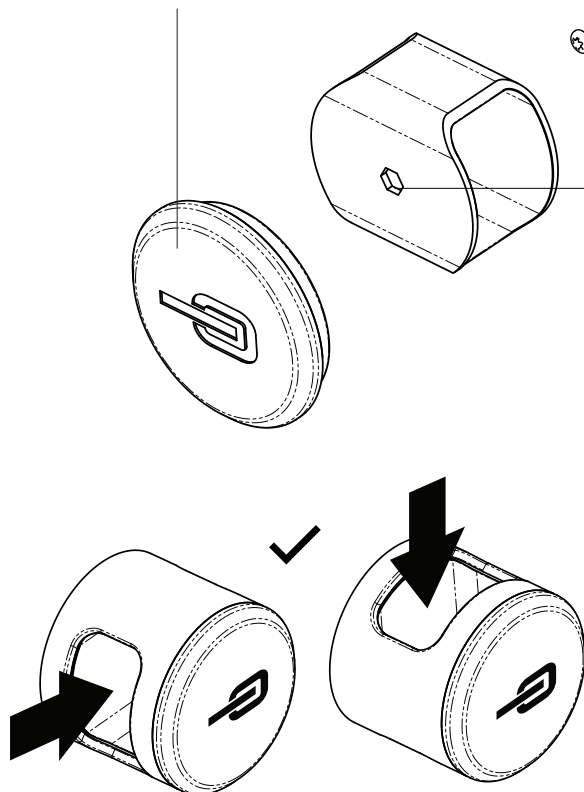
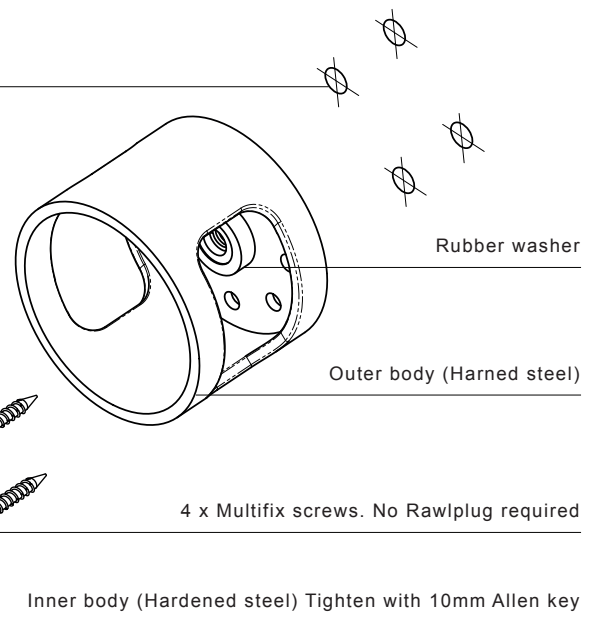
- Use appropriate safety equipment When drilling
- Always check for hidden pipes or wires
- Ensure substrate material is of good quality
- For videos on how to install go to: hiplok.com

1 Mark and drill 4 x holes to 90mm depth using 6mm masonry bit

2 Screw in masonry fixings using impact driver or socket wrench with T30 bit

3 Fix rubber washer to ANKR & Screw inner body until tight and ensure holes align

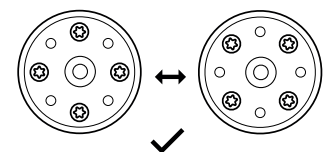
4 Press on rubber cap



CHANGE HOLE ORIENTATION TO SUIT



2 X FIXINGS IN STUDWALL
(NOT SOLD SECURE)



4 X FIXINGS IN MASONRY
(SOLD SECURE)

