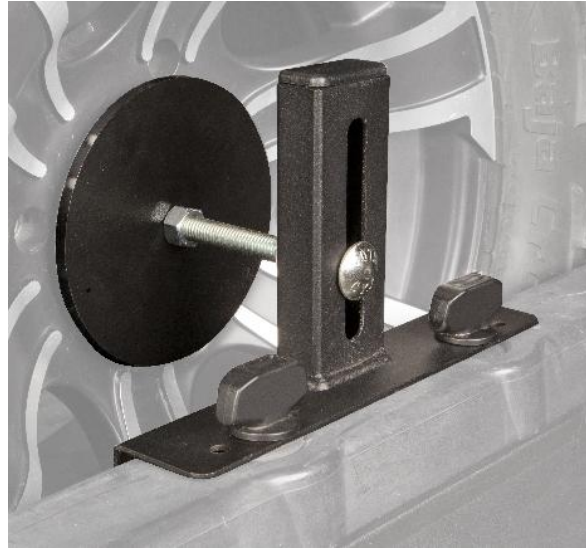
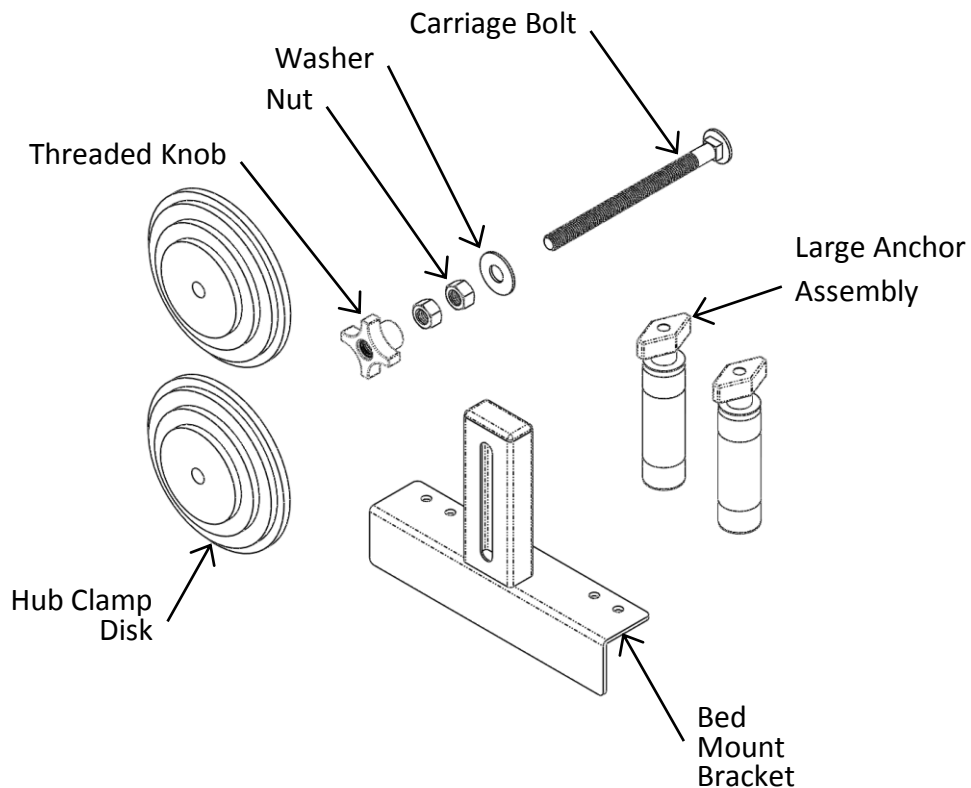


Spare Tire Bed Mount Installation Kit

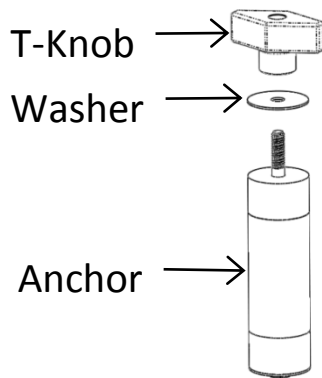


The Spare Tire, Bed Mount Installation Kit fits Ranger Models 400,500, EV, 570,700, 800 & 900. The Kit comes with a Bed Mount Bracket, a 1/2-13 Carriage Bolt Set (Carriage Bolt, Washer, 2x Nut, and a Threaded Knob), 2x Large Anchor Assembly, and 2x Hub Clamp Disk.



Installation:

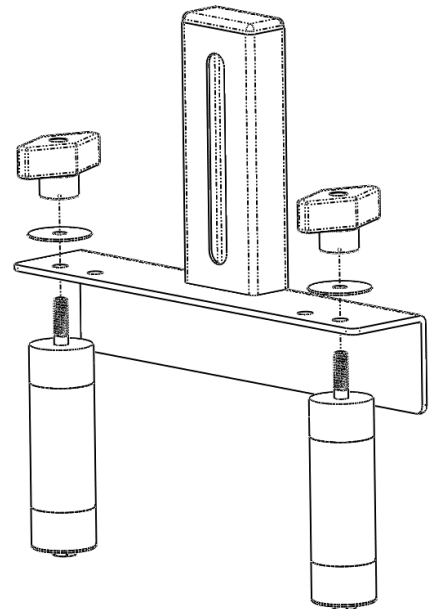
Step 1:



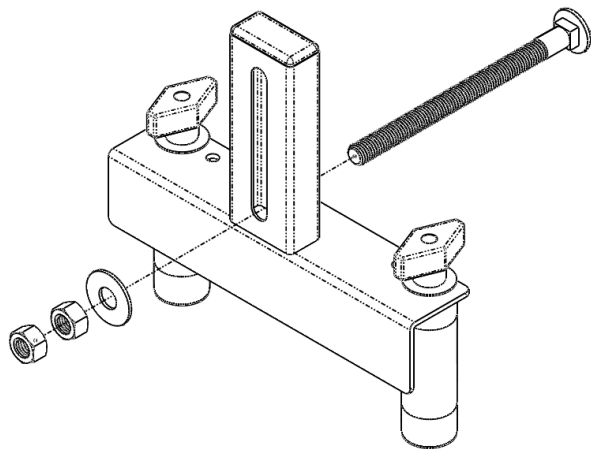
Remove the T-Knob and Washer from each of the Anchor Assemblies.

Step 2:

Insert an Anchor Assembly through two of the holes in the Bed Mount Bracket (different spacing options are available for various Polaris models). Replace the Washer and T-Knob. Screw the T-Knobs down until they are finger tight but can still spin freely in the holes.



Step 3:



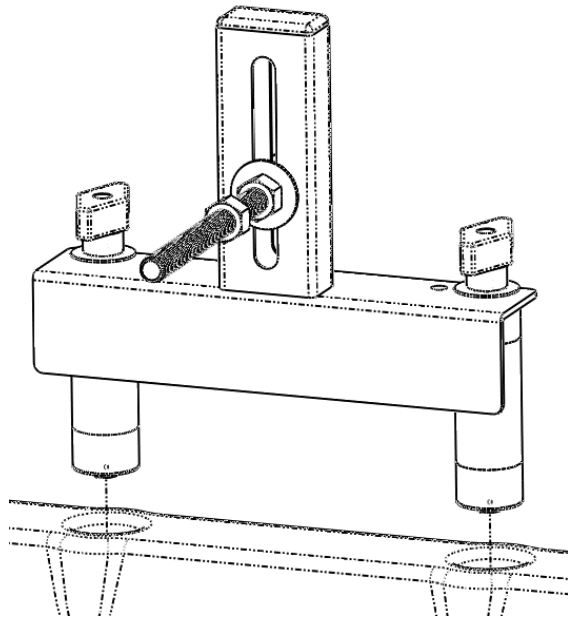
Insert the 1/2-13 Carriage Bolt through the slot in the Bed Mount Bracket and add the Washer and Nuts. Tighten the first Nut and Washer until finger tight, but loose enough so that the Carriage Bolt can still slide in the slot. Leave the second Nut un-tightened.

Step 4:

Choose where you would like to mount the Spare Tire. Some examples are shown below.



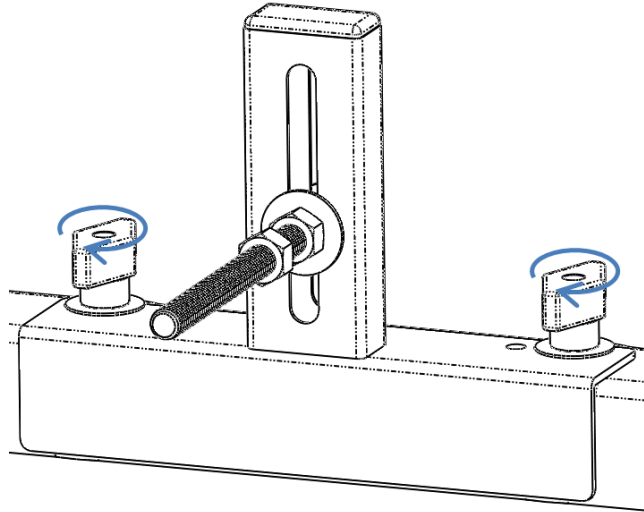
Step 5:



Insert the Spare Tire Mount into the chosen location by aligning the anchors with the holes on the Bed sides. The Carriage Bolt should be over the inside of the Bed.

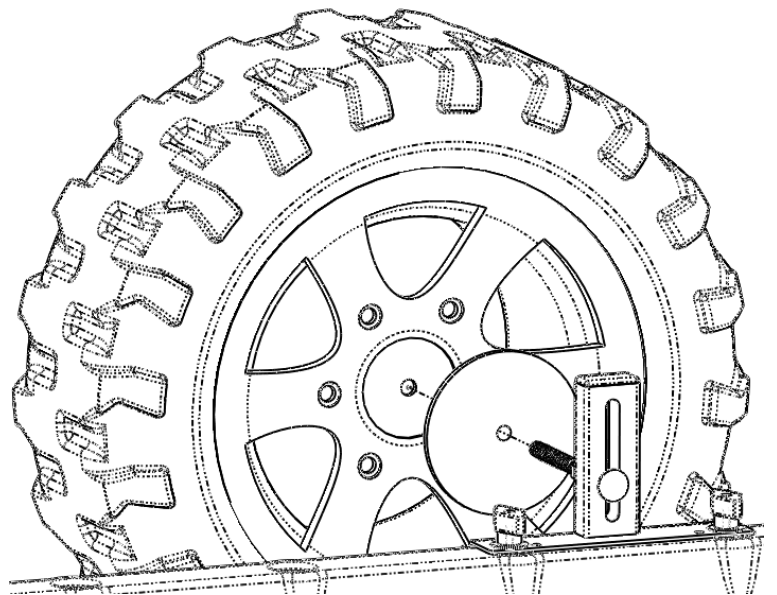
Step 6:

Tighten the T-Knobs of the Anchors to secure the Spare Tire Mount to the Bed.

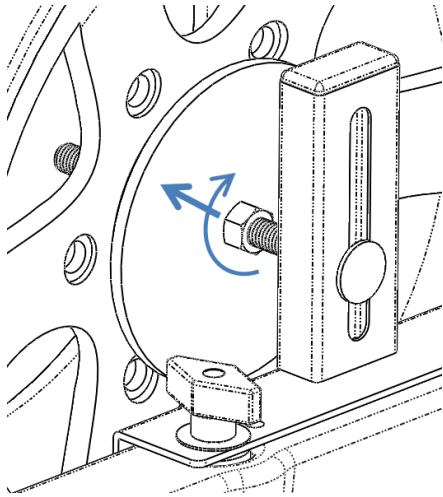


Step 7:

Slide one of the Hub Clamp Disks onto the Carriage Bolt, with the large flat face going on first. With the tire resting on the bottom of the Bed and the outside of the wheel facing towards the mount, slide the Spare Tire onto the Carriage Bolt until it just touches the Bed wall.



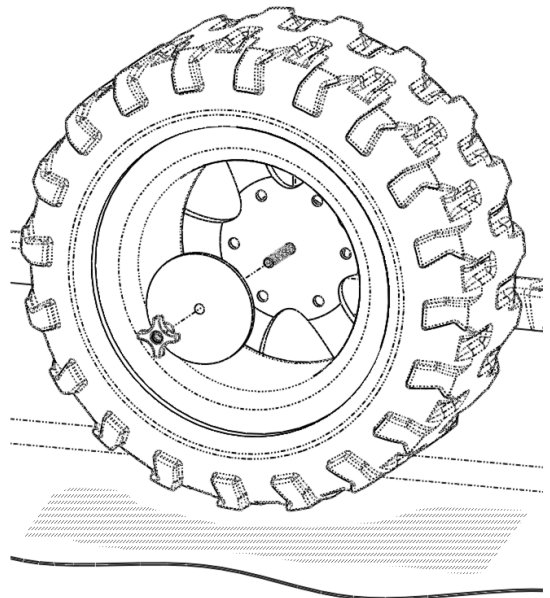
Step 8:



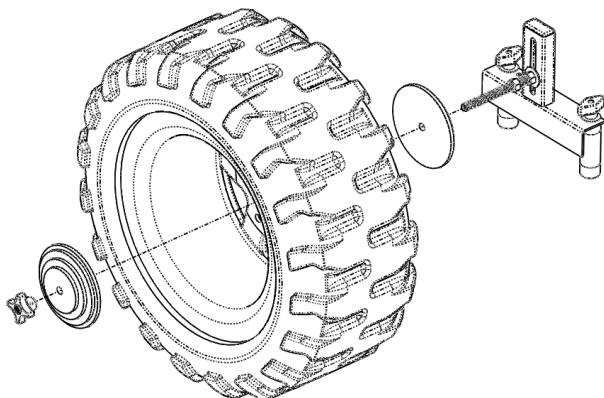
With the tire resting flat on the bottom of the Bed, tighten the first Nut against the Mount to keep the Carriage Bolt from sliding up and down, and also the thread the second Nut against the Hub Clamp Disk until the Disk is contacting the wheel.

Step 9:

Place the second Hub Clamp Disk onto the Carriage Bolt and add the Threaded Knob. After making sure the tire is still resting on the bottom of the Bed, tighten the Threaded Knob.



Note:



For some wheels it may be necessary to flip one or both of the Hub Clamp Disks with the large flat face towards the wheel in order to make sure the wheel is secured in place.