

Polaris Gen4 Double Tube Bumper Winch Mount

Winch Mount

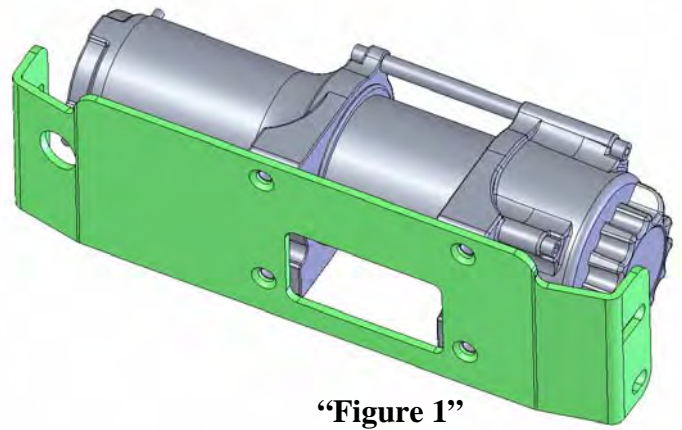
PART # 100425

Kit Components:

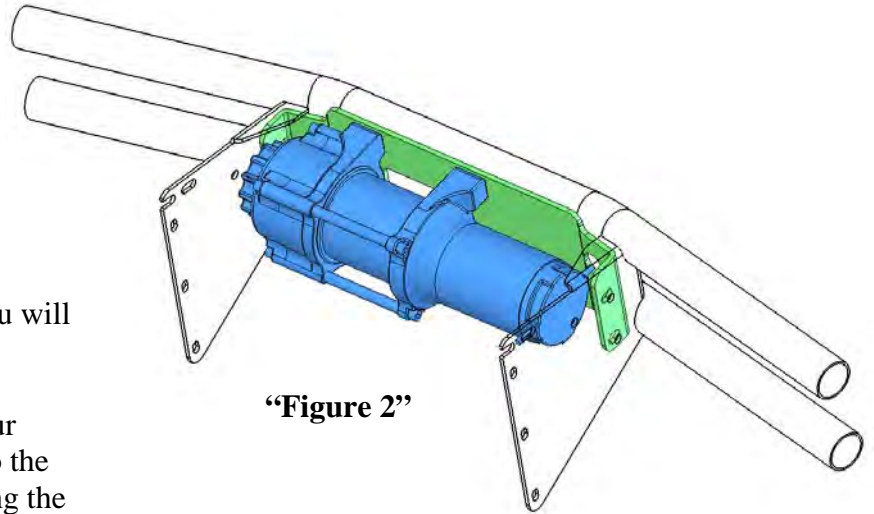
| <u>Qty</u> | <u>Part Description</u> |
|------------|---------------------------------|
| 1..... | Winch Mount |
| 4..... | 5/16 x 1" Hex Head Flange Bolts |
| 4..... | 5/16" SAE Flat Washers |
| 4..... | 5/16" Nylock Nuts |
| 4..... | 5/16" x 1" Flat HD Screw |
| 4..... | M8x1.25 x 20 Flat HD Screw |

INSTALLATION INSTRUCTIONS:

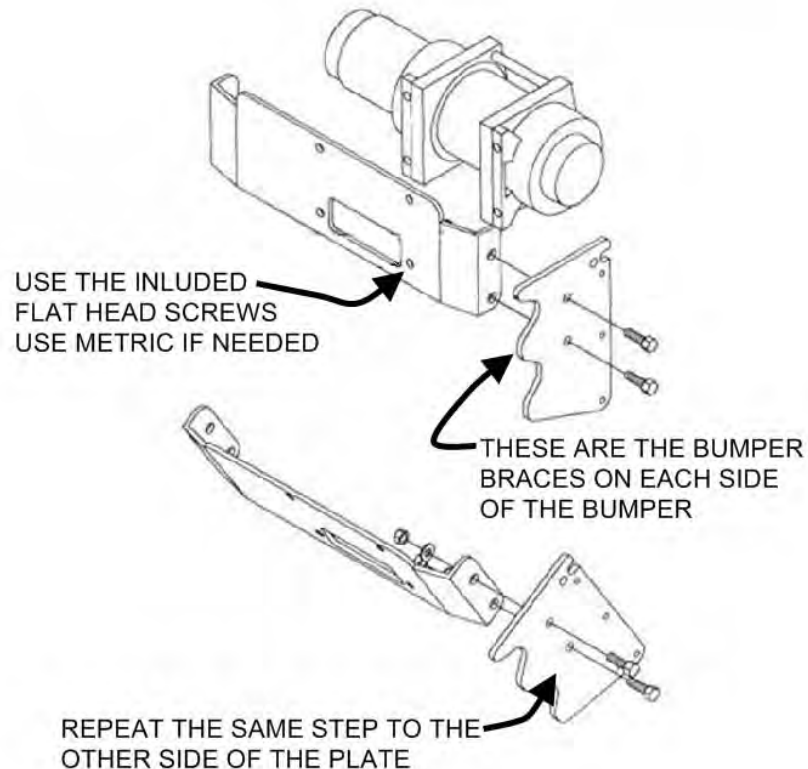
1. If your bumper is already installed you will need to remove it from your ATV.
2. Connect the winch motor wires to your winch and then assemble the winch to the mount plate as shown in Figure 1 using the supplied Flat Head Screws. *NOTE: Our hardware kit comes with both 5/16" and M8 Flat head screws for those applications that are English or metric.* Also make sure you pull your cable through the cable hole in the plate.
3. Assemble your roller or hawse fairlead to your bumper with the hardware that was supplied with your winch.
4. Assemble the winch and mount assembly to the bumper with the supplied 5/16" hardware as shown in Figure 2 and 3. At the same time feed you cable through the Roller or Hawse Fairlead.
5. Reassemble the bumper to your ATV.
6. Using the instructions provided with your winch, wire accordingly.



"Figure 1"



"Figure 2"



"Figure 3"

