



# Instruction Manual



## Manual Conventions

This manual uses the following symbols to help differentiate between different kinds of information. The safety symbol is used with a key word to alert you to potential hazards in operating and owning a plow.

Follow all safety messages to avoid or reduce the risk of serious injury or death.

### DANGER

DANGER indicates an imminently hazardous situation which, if not avoided, will result in death or serious injury.

### WARNING

WARNING indicates a potentially hazardous situation which, if not avoided, could result in death or serious injury.

To help you make informed decisions regarding safety, we have included instructions and information on labels. This information is provided with the intent to help avoid potential hazards that may harm you or others. It is, in no way, possible for us to inform you of every hazard you may come across with this product.

### CAUTION

CAUTION indicates a potentially hazardous situation which, if not avoided, may result in minor or moderate injury.

### CAUTION

CAUTION used without the safety alert symbol indicates a potentially hazardous situation which, if not avoided, may result in property damage.

### NOTE

If you have questions regarding your plow, we can help. Please call our help line at 1-877-346-2050.

©2013 Copyright Kappers Fabricating, Inc. All rights reserved

# Safety Rules

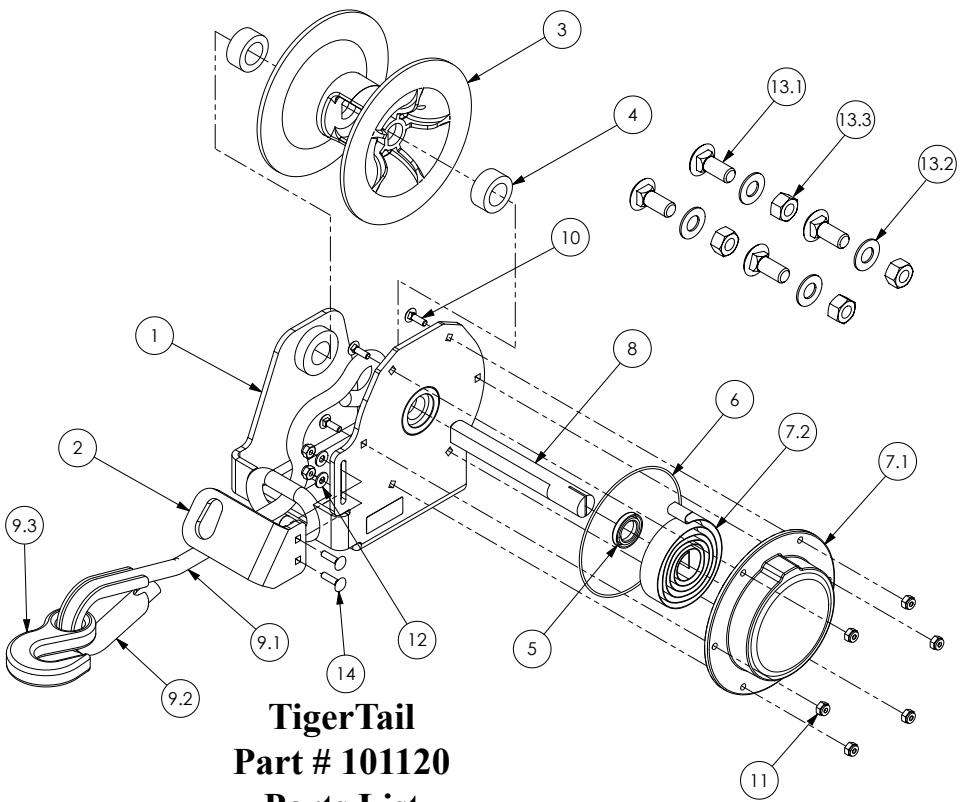
## WARNING

- Read this manual thoroughly before operating your TigerTail. Failure to follow instructions could result in serious injury or death.
- Always use a DOT approved helmet, gloves, chest protector, and goggles while operating the vehicle using the tow system.
- Do not exceed vehicle manufacturer's recommended towing limits up to a maximum of 2400 lbs. This device is intended for Utility Terrain Vehicles (UTV) or side by side vehicles. Not to be used on Public Roads.
- Make sure that all nuts and bolts are tightened per installation instructions.
- Never operate this KFI product with missing or damaged parts.
- Drive slowly over bumpy and rough terrain, driving fast could cause damage to the TigerTail System.
- Do NOT exceed 5 mph while tow system is in use.
- Always perform regular inspections and maintenance on the TigerTail System before use.
- Operate with extreme caution on slopes, steep grades, and rough terrain.
- Towed vehicle must keep rope at max length while being towed. While the rope may appear to be taut, this does not imply that the rope is fully extended.
- Do NOT use to lift or support humans.
- Do NOT use rope fairlead or any other location on the TigerTail as a tow/anchor point. Only use Original Equipment Manufacturer (OEM) or approved anchor points.

- Prior to attaching to an immovable object during a winch operation, ensure that the rigging does not produce a load in excess of 2,400 lbs for any rope section. Proper double line rigging will reduce the load of each rope section. Refer to winch OEM manual for proper rigging.

## CAUTION

- Rope must be controlled while recoiling to prevent personal injury or damage.
- Device contains a coiled spring under tension. Do NOT remove nuts securing the housing.
- Do NOT jerk load the rope. Jerk loading the rope may cause personal injury, death, or vehicle damage.
- Protect rope from sharp edges and extreme heat. Prior to each use inspect the rope for cuts, abrasions, or hard spots. If rope shows signs of wear replace immediately.
- Towing another vehicle will affect how your vehicle handles and will reduce its ability to accelerate, make turns, and other maneuvers.



**TigerTail  
Part # 101120  
Parts List**

ITEM	PART#	DESCRIPTION	QTY.
1	61201	TIGERTAIL XT BASE	1
2	101132	XT BASE HOOK ADJUSTER	1
3	41019	SPOOL	1
4	P800343	SPOOL SPACER	2
5	41022	SHAFT SEAL	1
6	41024	2-046 BUNA-N O-RING 70D BLACK	1
7	41027	SPRING COVER ASM	1
7.1	41025	SPRING COVER	1
7.2	41026	TIGERTAIL SPRING	1
8	71206	XT SHAFT	1
9	101121	KFI TIGERTAIL ROPE ASSEMBLY	1
9.1	101122-15	TIGERTAIL XT ROPE	1
9.2	41013	7/16" WIRE ROPE THIMBLE	1
9.3	41011	TOW HOOK #12 ZINC	1
10	CB-ZP-1024-0_63	#10-24 x 5/8" CARRIAGE BOLT, STEEL, ZINC	6
11	HNNL-ZP-1024	#10-24 HEX NUT NYLOCK, STEEL, ZINC	8
12	FW-SAE-ZP-10	#10 FLAT WASHER, SAE, STEEL, ZINC	2
13	HK-306	HARDWARE KIT	1
13.1	CB-ZP-0500-13-1_25	1/2-13 x 1 1/4 CARRIAGE BOLT, STEEL, ZINC PLATED	4
13.2	FW-SAE-ZP-0500	1/2" FLAT WASHER, SAE, STEEL, ZINC	4
13.3	HN-ZP-0500-13	1/2"-13 HEX NUT, STEEL, ZINC	4
14	CB-ZP-1024-0_75	#10-24 x 3/4" CARRIAGE BOLT, STEEL, ZINC	2

# INSTALLATION INSTRUCTIONS

*Note: TigerTail installation requires the correct mounting bracket to be installed prior to proceeding. TigerTail Mount instructions included with the purchase of a TigerTail Mount will include more detail directions for vehicle specific TigerTail installation (only use supplied bolts).*

- 1) Place hook in hook hole and adjust tension of hook arm, until hook does not fall out of hole, using the two nuts and bolts on right side of TigerTail.
- 2) Place the bolts into the slotted holes on the bottom of the TigerTail Tow System.
- 3) Install Tow System to previously installed mounting bracket. Place a washer and nut on each bolt.
- 4) Tighten to 78 ft-lbs (106 N-m) with a torque wrench (do not apply lube to threads).



## MAINTENANCE

Keep tow system clean of mud and debris. Do not pressure wash at close proximity (closer than 2 feet or .61m) or damage may occur to the tow system. Do not use heavy detergents or petroleum-based products on the rope or spool.

The hook should be snug in the stored position. If hook is not snug, loosen both nuts on front side of hook tab, slide adjuster upwards, retighten nuts, and check for proper operation. When the rope is retracted fully, hook should not be able to be removed from the stored position.

Excessive sunlight is harmful and may damage the spool, spring housing, and rope. Paint fading may occur. Cover Tow System when it is not being used.

## DIRECTIONS

*Follow precautions as described in OEM Manual.*

*Review TigerTail UT Operation and Maintenance Manual prior to each use.*

1. Position towing vehicle and towed vehicle such that both vehicles are in line.
2. Place the parking brake on and dismount tow vehicle. Refer to the OEM manual for proper locations for attach points.
3. Rotate tow system spool to release tension on hook.
4. Pull out rope to ease hook removal from hook storage tab.
5. Attach hook to a secure point on vehicle to be towed as specified in the OEM.
6. Ensure that the vehicle to be towed is not high-centered.
7. Place the vehicle to be towed in Neutral.
8. Remount the tow vehicle and release the parking brake.
9. Extend rope by driving slowly (2 mph max) away from the vehicle to be towed.
10. When rope is at full extension (unwound completely off of spool), gently depress the throttle until towed vehicle is free. Do not “jerk load” and avoid spinning the tires.
11. Towed vehicle must keep rope at max length while being towed. While the rope may appear to be taut, this does not imply that the rope is fully extended.
12. Once both the towing and towed vehicle come to a complete stop, reverse tow vehicle several feet.
13. Put parking brake on and dismount tow vehicle.
14. Disconnect hook from towed vehicle.
15. Rope may need to be guided to evenly wind on the spool.  
Note: Once rope has been used, it will tend to wrap more evenly.
16. Replace hook into storage location and make sure hook is seated.
17. Verify that thimble is seated and ample tension is applied to keep it secured.
18. Remount tow vehicle and release Parking Brake.





# 6 Month Limited Warranty

Kappers Fabricating, Inc. (KFI) warrants to the original purchaser that the product is free from defects in materials and workmanship for a period of six (6) months from the original date of purchase. We will repair or replace, at our discretion, parts found to be defective due to materials or workmanship. This warranty is subject to the following limitations and exclusions:

**Commercial Use:** The warranty period for any product used for commercial or rental is limited to ninety (90) days from the date of original purchase.

**Limitations:** This warranty applies only to products which have been properly assembled, adjusted, and operated in accordance with the instructions contained within this manual. This warranty does not apply to any product of Kappers Fabricating, Inc. that has been subject to alteration, misuse, abuse, improper assembly or installation, or shipping damage.

**Exclusions:** Excluded from this warranty are normal wear, normal adjustments, normal maintenance, finish and synthetic rope.

THIS WARRANTY DOES NOT APPLY TO ANY INCIDENTAL OR CONSEQUENTIAL DAMAGES AND ANY IMPLIED WARRANTIES ARE LIMITED TO THE SAME TIME PERIODS STATED HEREIN FOR ALL EXPRESSED WARRANTIES.

THE WARRANTY SET FORTH ABOVE IS THE ONLY WARRANTY. THERE ARE NO OTHER WARRANTIES, EXPRESS OR IMPLIED, INCLUDING BUT NOT LIMITED TO IMPLIED WARRANTIES OF MERCHANTABILITY OR FITNESS FOR A PARTICULAR PURPOSE.

Some states do not allow the exclusion of implied warranties or the exclusion or limitation of liability for incidental or consequential damages, or limitations on how long an implied warranty lasts, so the above limitation or exclusion may not apply to you. This warranty gives you specific legal rights. You may also have other rights that vary from state to state.

KFI reserves the right to change product design without notice. For situations in which KFI has changed a product design, KFI shall have no obligation to upgrade or otherwise modify previously manufactured products.

In the event you have a claim under this warranty, contact KFI's Technical Service and KFI will troubleshoot any issue via phone or e-mail. If the problem is not corrected by this method, KFI will, at its option, authorize evaluation, repair or replacement of the defective part or component at a KFI Service Center. KFI will provide you with a case number for warranty service. Please keep it for future reference. Repairs or replacements without prior authorization, or at an unauthorized repair facility, will not be covered by this warranty.

All transportation charges, damage, or loss incurred during transportation of parts submitted for replacement or repair under this warranty shall be borne by the purchaser. Should you have any questions concerning this warranty, please contact us toll-free at 1-877-346-2050. The model number, serial number (if applicable), date of purchase, and the name of the authorized KFI dealer from whom you purchased the product will be needed before any warranty claim can be processed.

For warranty inquiries outside the U.S.A. and Canada, contact your local dealer/distributor.

For countries not covered by a local dealer/distributor, please contact us at [www.kfiproducts.com](http://www.kfiproducts.com).

## Product Registration

Please register your product with Kappers Fabricating, Inc. (KFI) within fifteen (15) days of purchase to assist us in handling any warranty issues that may arise by filling out this Registration card and submitting it with a copy of your sales receipt from one of KFI's official resellers. Failure to complete and return this Registration card does not diminish your warranty rights.

Please refer to the above section for complete terms of this warranty.

### WARRANTY IS NON-TRANSFERABLE

Please Print Clearly

Model # \_\_\_\_\_

Name \_\_\_\_\_

Street Address \_\_\_\_\_

City \_\_\_\_\_ State \_\_\_\_\_ Zip Code \_\_\_\_\_

Phone \_\_\_\_\_ Fax \_\_\_\_\_ Email \_\_\_\_\_

Date of Purchase \_\_\_\_\_ Authorized KFI Dealer Name \_\_\_\_\_

Fill out and send this section to:  
Kappers Fabricating, Inc.  
Warranty Registration Department  
1015 Industrial Drive, PO Box 32  
Spring Valley, MN 55975, U.S.A.