

Yamaha Grizzly/ Kodiak 700 Winch Mount

Winch Mount

PART # 101275

Kit Components:

Qty	Part Description
1.....	Winch Mount
2.....	3/8"-16 x .750" Flanged GR5 Bolt
1.....	3/8"-16 x .750 Carriage Bolt
2.....	M10x1.25 x 20mm Hex GR8.8 Bolt
2.....	7/16" Lock Washer
2.....	3/8" Nylock Jam Nut
6.....	3/8" SAE Flat Washer

INSTALLATION INSTRUCTIONS:

NOTE: If you are installing a winch that has clutch end similar to the Warn 3.0 (shown in Figure 1) you will need to use the supplied carriage bolt [A] in place of the standard 3/8" bolt on the clutch side of the mount for clearance of the bottom clutch housing. Put the carriage bolt into position on the mount before mounting your winch to the mount. (Figure 1)

1. Begin by assembling your Winch and Fairlead to the mounting bracket using the hardware that was supplied with your Winch and Fairlead. (Figure 1)
2. May need to remove front two bolts from skid plate to allow clearance for winch mount installation.
3. Place the Winch assembly from Step 1 into the OEM mounting location and assemble it to frame with the supplied hardware. (Figure 1 & 3)

NOTE: You may only need to use one of the 3/8" washers with the rear M10 bolt and 7/16" Lock Washer.

4. **OPTIONAL:** Mount your contactor to the Mount Plate using the hardware that was supplied with your contactor. (Figure 1)
5. Using the instructions provided with your winch, wire accordingly.

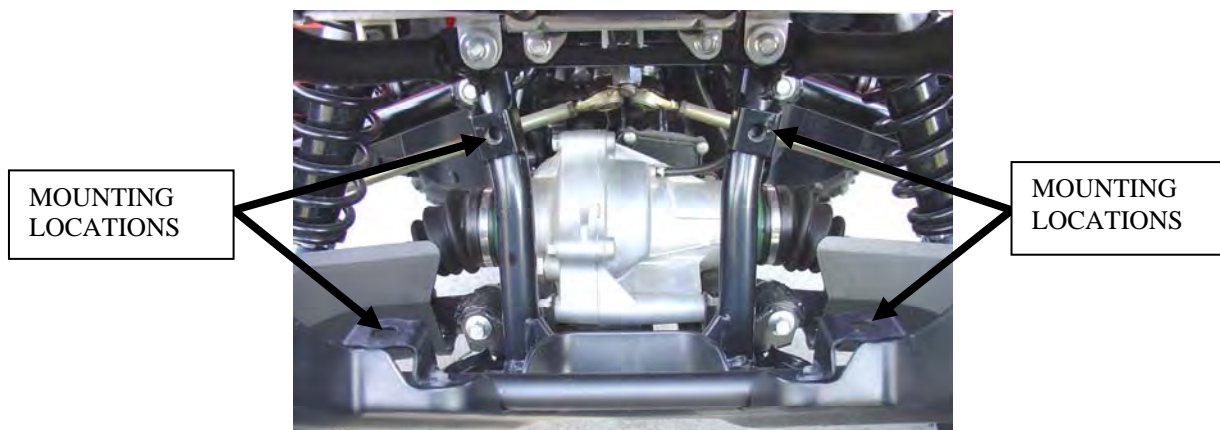
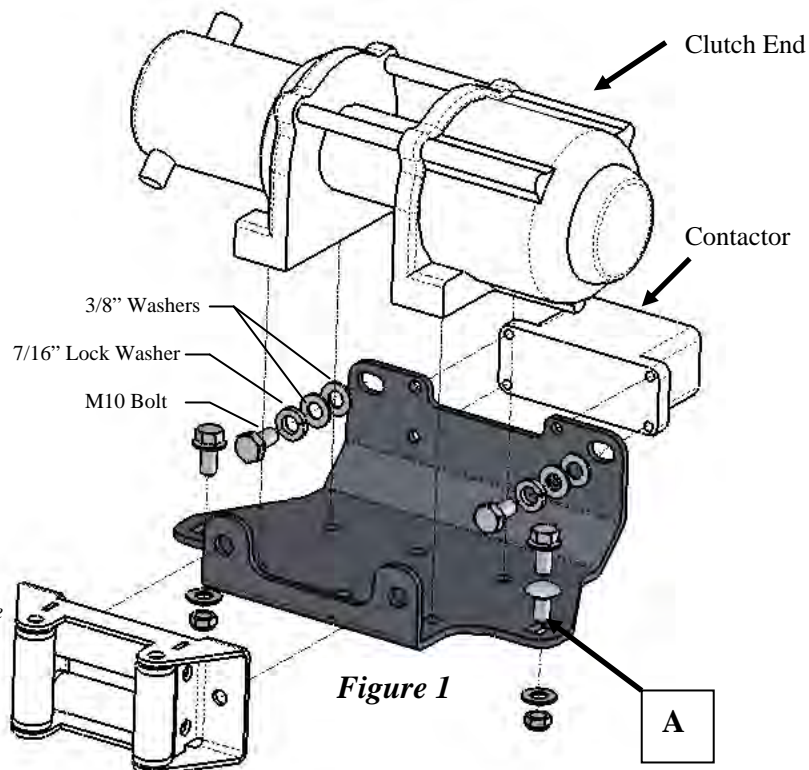


Figure 3