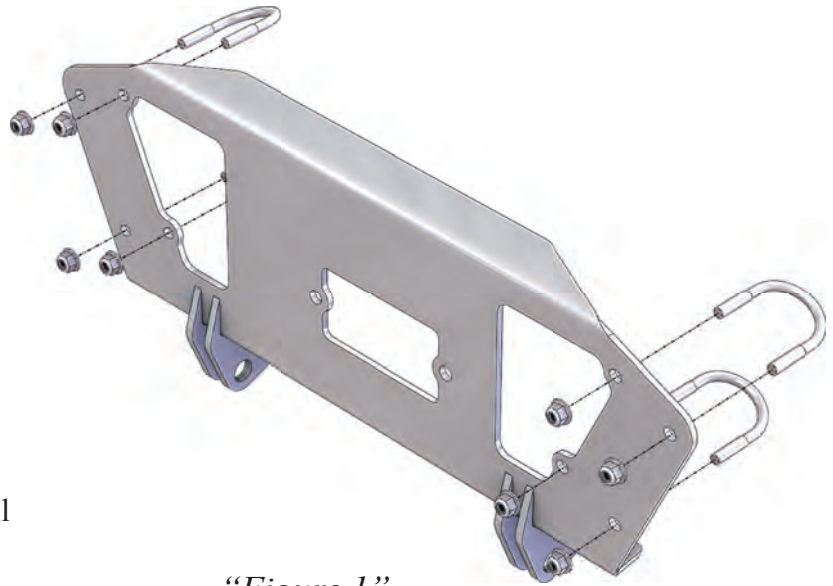


KAWASAKI 3010 MULE

Plow Mount PART # 105400
 Hardware Kit: HK-135

Kit Components:

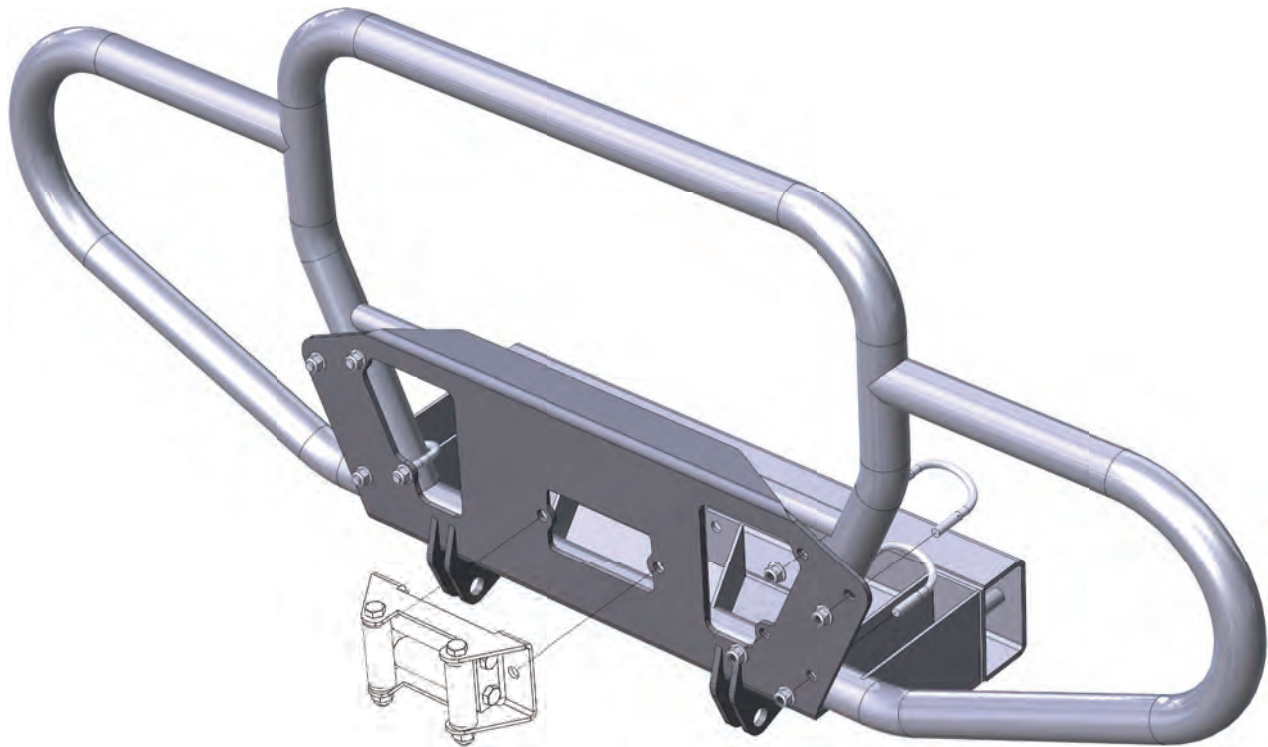
Qty.	Part Description
1.....	Plow Mount Plate
4.....	5/16"-18 U-Bolt
8.....	5/16"-18 Flanged Nylock Nut



“Figure 1”

INSTALLATION INSTRUCTIONS:

1. Place Mount Plate up to front bumper and install using 5/16” Hardware as shown in Figure 2.
2. Tighten down all bolts.
3. Install the Roller Fairlead on the Plow Mount Plate with the hardware provided with your winch.
4. See UTV Plow Tube System instruction manual for tube attachment.



“Figure 2” Mount Plate & Roller Fairlead Install

