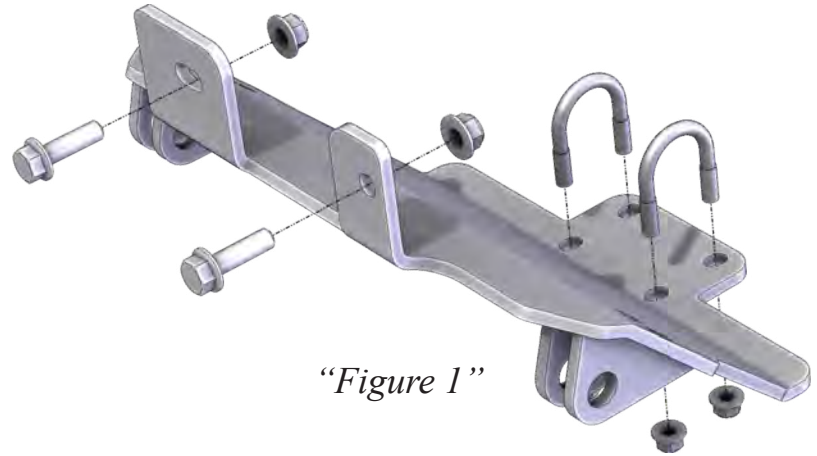


# CFMOTO TERRACROSS PLOW MOUNT

Plow Mount                      PART # 105480  
 Hardware Kit: HK-148

**Kit Components:**

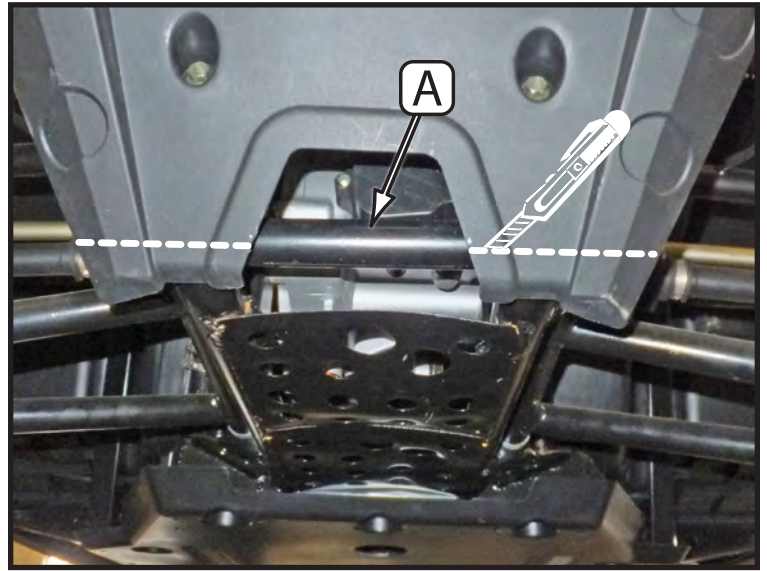
Qty.	Part Description
1.....	Plow Mount Plate
2.....	3/8"-16 x 1 1/4" Flange Bolt
2.....	3/8"-16 Nylock Flange Nut
2.....	5/16"-18 U-Bolt
4.....	5/16"-18 Nylock Flange Nut



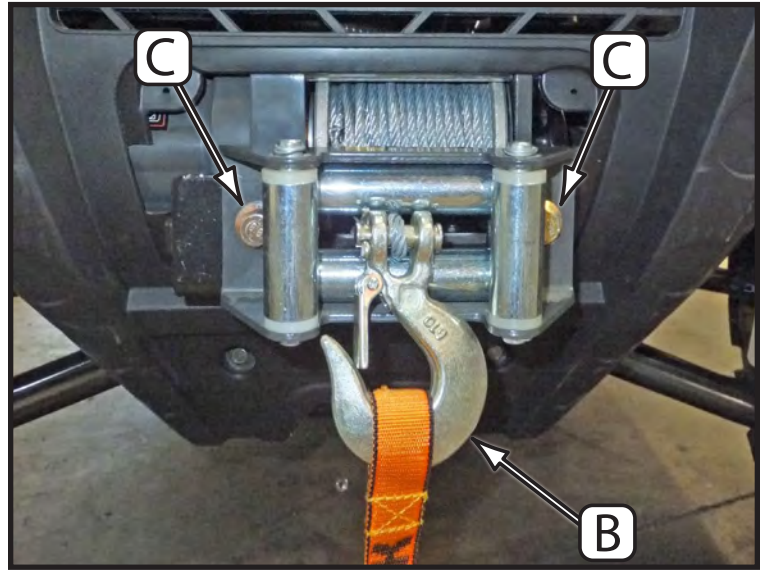
*"Figure 1"*

**INSTALLATION INSTRUCTIONS:**

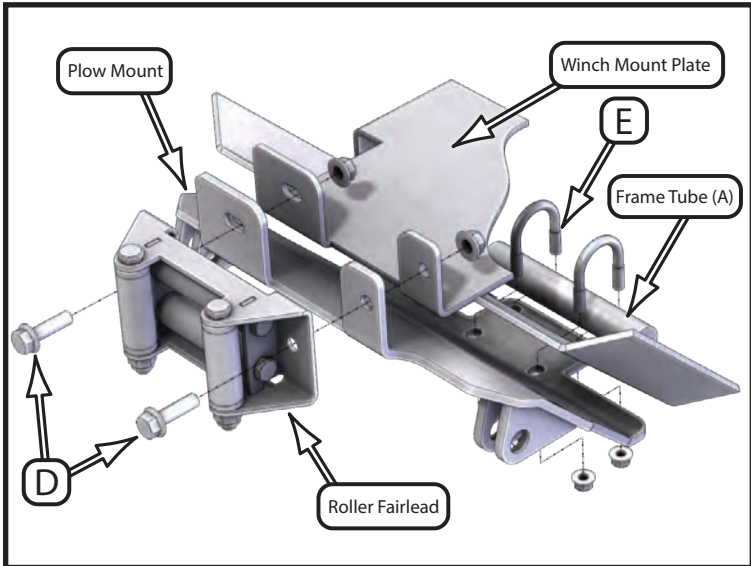
1. Start by trimming the plastic 1/4" above the Frame Tube (A) as shown in Figure 1.
2. Remove pre-installed roller fairlead by first taking off the hook (B). Then remove the bolts (C) holding the roller fairlead in place.
3. Install plow mount and roller fairlead to winch mount using the 3/8" Bolts (D) and Nuts provided in the hardware kit, leave loose. Install 5/16" U-bolts (E) and Nuts to lower frame tube as shown in Figure 4.
4. Tighten down all bolts.
5. Reinstall the hook.
6. See UTV Plow Tube System instruction manual for tube attachment.



*"Figure 2" Trimming of Plastic*



*"Figure 3" Roller Fairlead Removal*



*"Figure 4" Mount Plate Install*

