

HISUN/BENNCHE

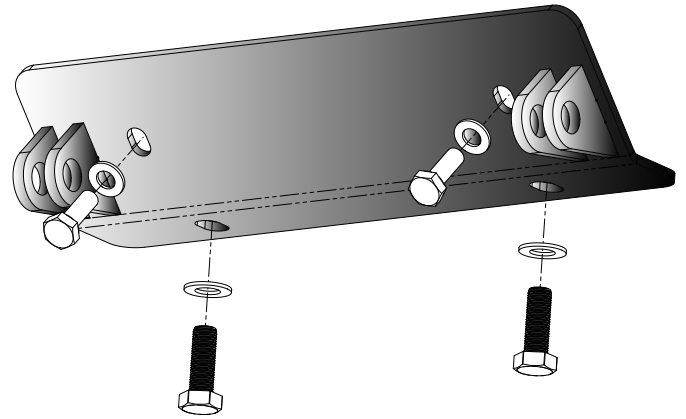
Plow Mount

PART # 105555

Hardware Kit: HK-127

Kit Components:

Qty.	Part Description
1.....	Plow Mount Plate
4.....	M12-1.25 X 30mm Bolt
4.....	M12 Flat Washer
2.....	M10-1.25 X 30mm Bolt
2.....	M10 Flat Washer



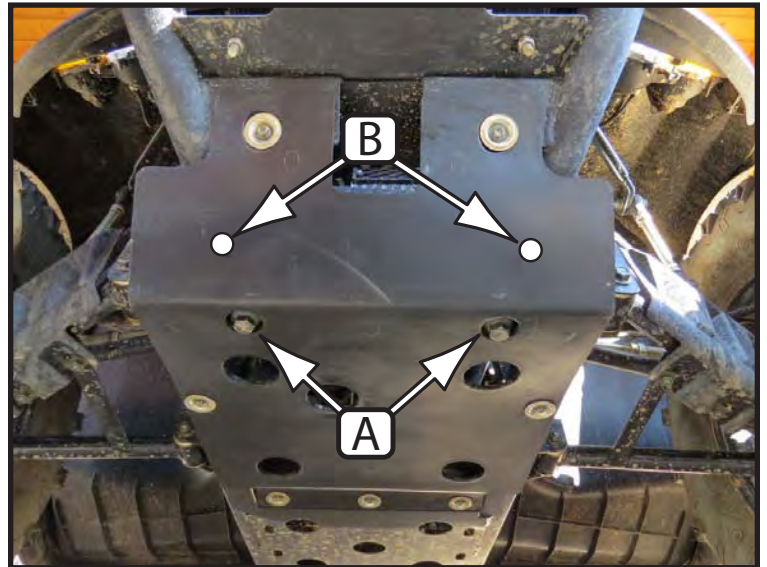
“Figure 1”

INSTALLATION INSTRUCTIONS:

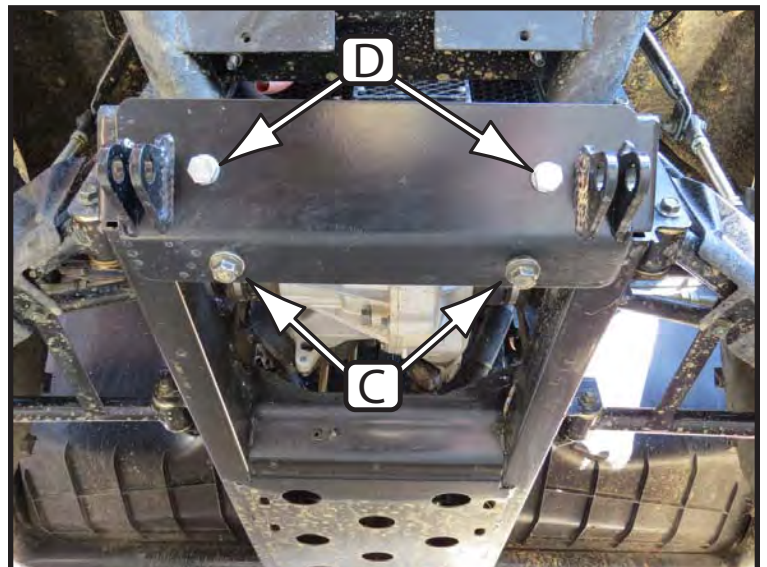
1. Remove bolts (A) on front lower panel as shown in Figure 2.

Note: You may choose to remove the skid plate. If so, remove the skid plate and skip to step 5.

2. Place mount plate over lower front panel and install the 2 lower M12 x 30mm bolts supplied with the hardware kit.
3. Mark the two upper holes (B) on the skid plate. Remove the M12 bolts and mount plate installed in step 2.
4. Remove the skid plate and drill holes (B).
5. Reinstall skid plate.
6. Install mount plate using the M12 bolts (C) for the bottom holes and the M10 Bolts (D) for the top holes.
7. Tighten down all bolts.
8. See UTV Plow Tube System instruction manual for tube attachment.



“Figure 2” Front of UTV



“Figure 3” Mount Plate Install

