

# CFMOTO UFORCE 800

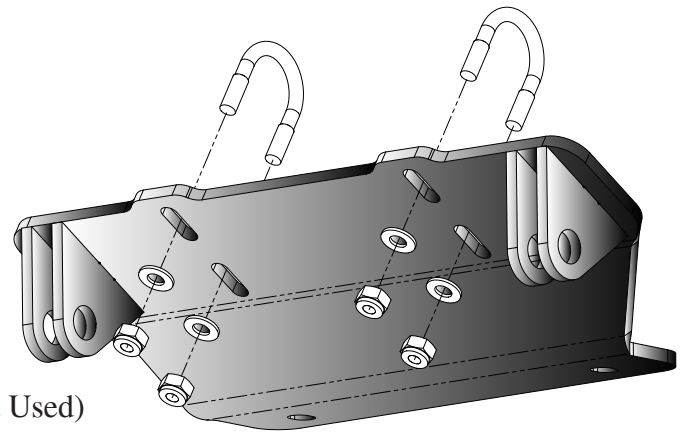
Plow Mount

PART # 105600

Hardware Kit: HK-028

## Kit Components:

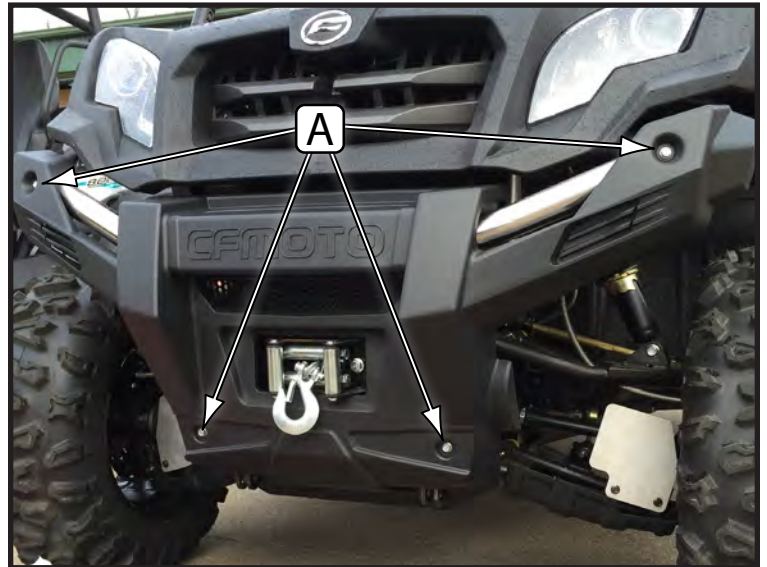
Qty.	Part Description
1.....	Plow Mount Plate
2.....	5/16"-18 x 1-1/4" U-Bolt
7.....	5/16" SAE Flat Washer
7.....	5/16"-18 Nylock Nut
1.....	5/16"-18 x 1" Flat Head Socket Screw (Not Used)
2.....	5/16"-18 x 1" Flanged Bolt (Not Used)



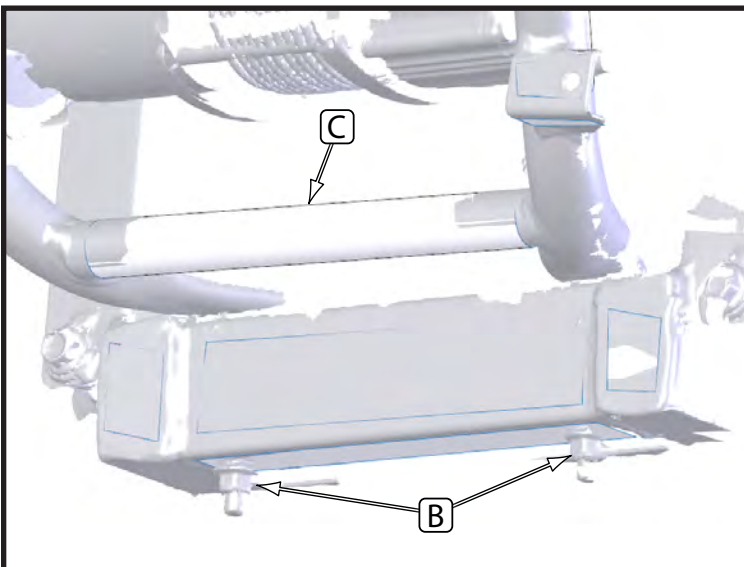
*"Figure 1"*

## INSTALLATION INSTRUCTIONS:

1. Remove bolts (A) on front bumper plastic as shown in Figure 2. Remove plastic cover.
2. Remove nuts from bottom of machine as shown in Figure 3.
3. Install mount plate as shown in Figure 4. Hang u-bolts over the tube (C, Figure 3) in a location approximately as shown in Figure 4. Install mount plate using the washers and nuts supplied in the hardware kit. Re-install the 2 nuts (B) removed in step 2 to the bolts on the machine.
4. Tighten down all nuts.



*"Figure 2" Front Plastic Removal*



*"Figure 3" Front Plastic Removed*



*"Figure 4" Mount Installed*

5. Using the supplied template, lay it out on your front plastic as shown in Figure 5 and trace out the rectangular cutouts.
6. Trim out the 2 areas on your front plastic.
7. Reinstall your front bumper plastic by working the cutouts over the tabs on your plow mount and replacing the bolts (A) removed in step 1.
8. Tighten down the bolts for the front plastic.
9. See UTV Plow Tube System instruction manual for tube attachment.



*“Figure 5” Plastic Trim*



*“Figure 6” Plastic Re-Install*



**Tape Together** →

(105600) CFMOTO  
UFORCE 800 PLOW  
MOUNT TAB CUTOUT  
TEMPLATE LH

1. Cut out the template and the rectangular section.
2. Tape to other side.
3. See Figure 5 in the manual for placement.

**Cut Out**

This will be  
what is traced  
on your  
machine.

# → Tape Together

(105600) CFMOTO  
UFORCE 800 PLOW  
MOUNT TAB CUTOUT  
TEMPLATE RH

1. Cut out the template and the rectangular section.
2. Tape to other side.
3. See Figure 5 in the manual for placement.

**Cut Out**

This will be  
what is traced  
on your  
machine.