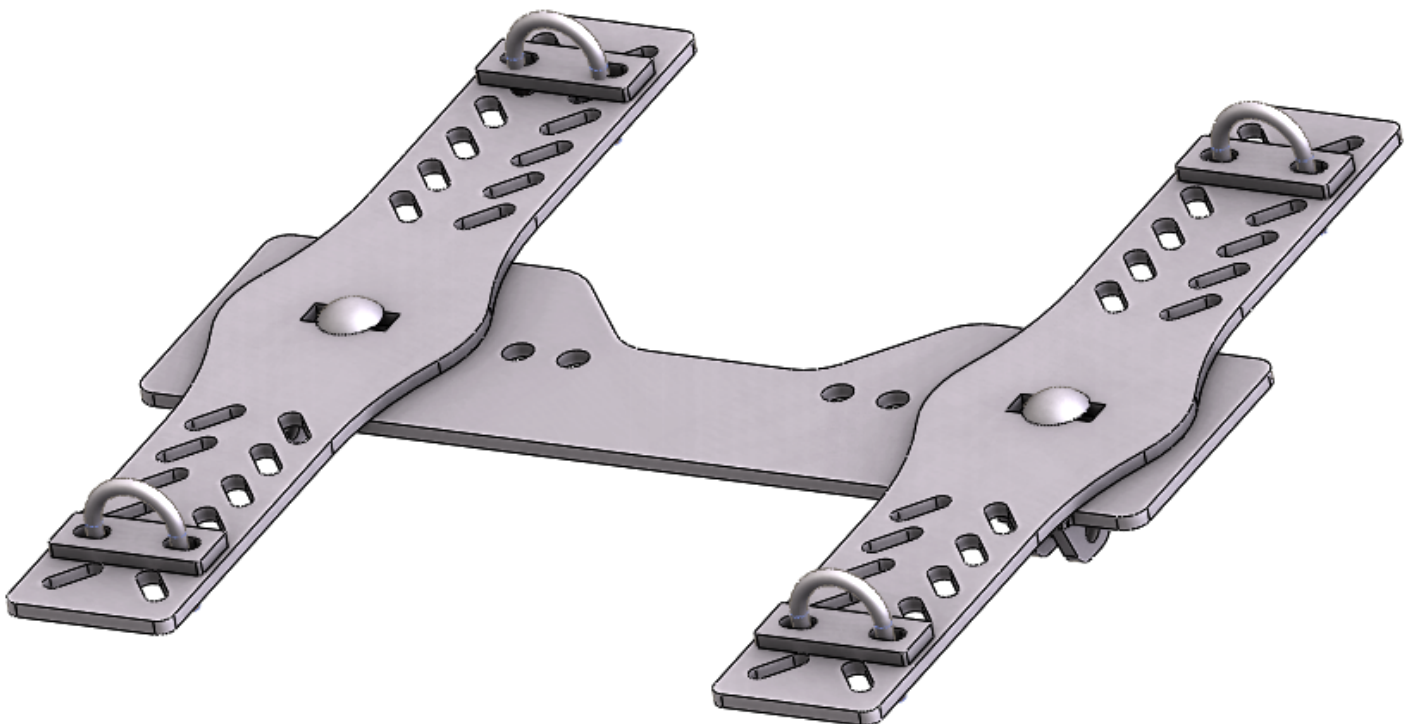
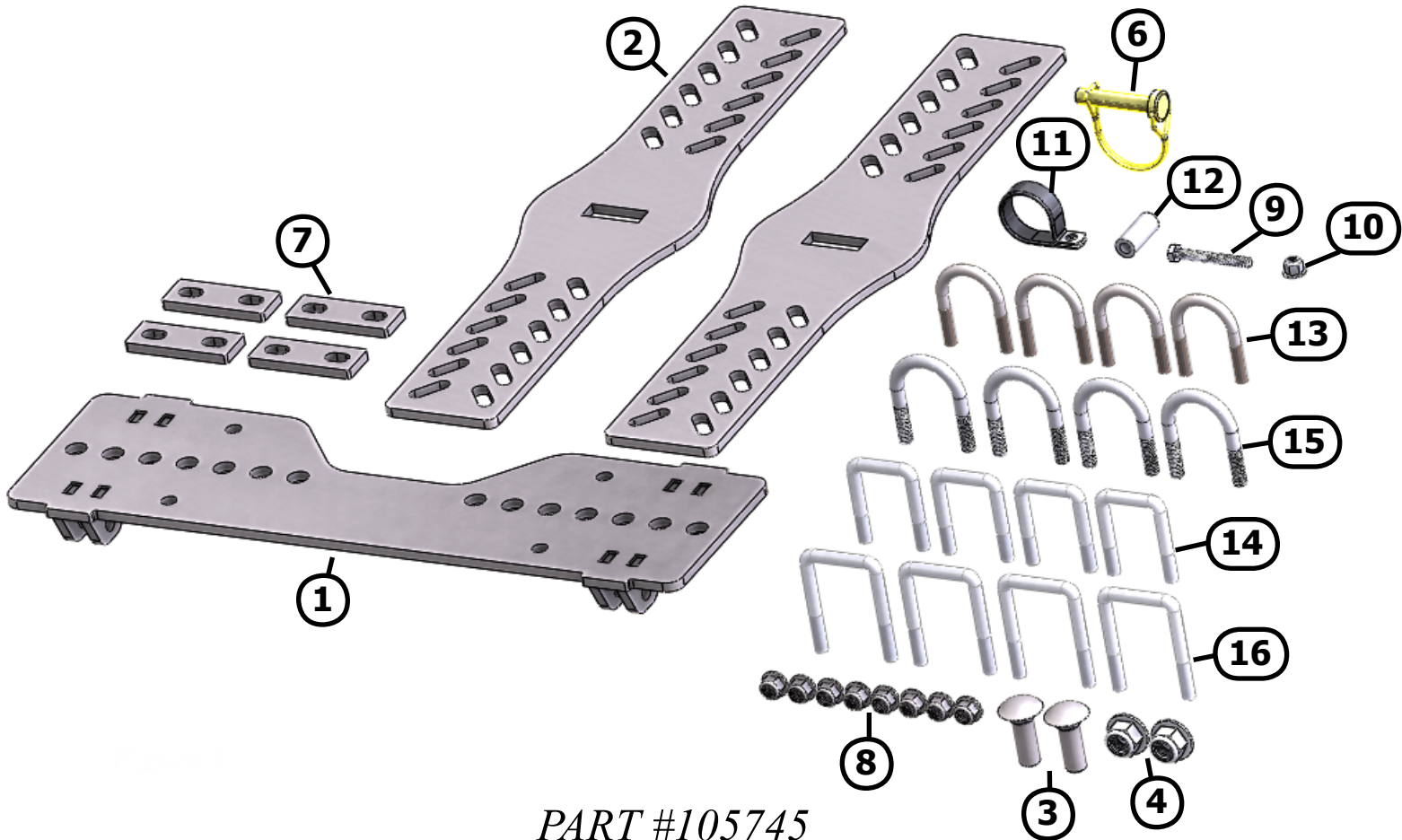




UNIVERSAL ATV
PLOW MOUNT
MANUAL
PART # 105745





PART #105745
Parts List

ITEM NO.	QTY.	PART NO.	DESCRIPTION
1	1	105746	WLDMT-UNIVERSAL MOUNT
2	2	105749	PLT-MOUNT STRAPS
3	2	*	Carriage Bolt M12 x 40mm
4	2	*	Locknut M12 Nylock
6	2	P800250	Clevis Pin 10mm x 35mm
7	4	105744	SPCR- Universal Mount
8	8	*	Flange Nut M8 Nylock
9	2	*	Hex Bolt M6 x 50mm
10	2	*	Flange Nut M6 Nylock
11	2	*	1-1/4" Dia. Vinyl P-Clamp
12	2	*	Mount Bracket Spacer 1-1/4"
13	4	*	U-Bolt Round M8 x 32mm x 50mm
14	4	*	U-Bolt Square M8 x 32mm x 70mm
15	4	*	U-Bolt Round M8 x 35mm x 62mm
16	4	*	U-Bolt Square M8 x 40mm x 65mm

* All Items in the Hardware Kit Provided (HK-168)

INSTALLATION PREP:

NOTE

Please read and understand all of the instructions. The universal mount is designed to attach to many ATV brands and styles. Some of the hardware provided will not be used in assembling this mount.

NOTE

Install the proper U-Bolt for your frame type:

- Item #13 = Round Tube Frames (small)
- Item #14 = Square Tube Frames (small)
- Item #15 = Round Tube Frames (large)
- Item #16 = Square Tube Frames (large)

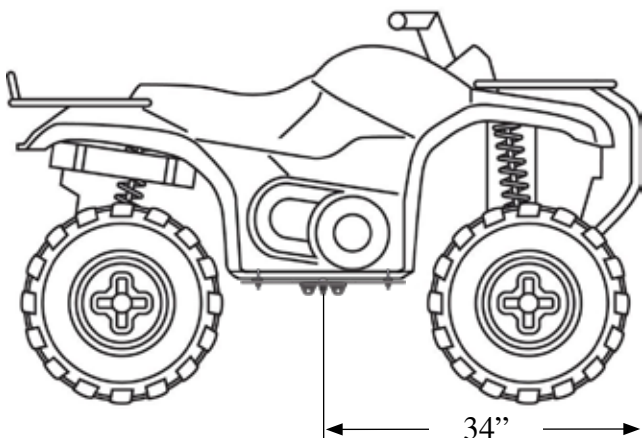
Only 4 U-Bolts are required.

NOTE

Set-Back Distance on Mount Weldment (#1)
APPROXIMATELY 34in.

Location:

Center Carriage Bolts 34" to Furthest Point Forward
Move Mount Forward if Blade Contacts Tires
with Max Angle, or if the Cradle Contacts the Front of
the ATV when lifted.



WARNING

- Do not exceed 5 mph with plow
- Check for wear & loose hardware
- Make sure no wires are compromised
- Dont attach mount to moving parts
- Keep people away from blade while plowing
- Before adjusting blade angle park the ATV

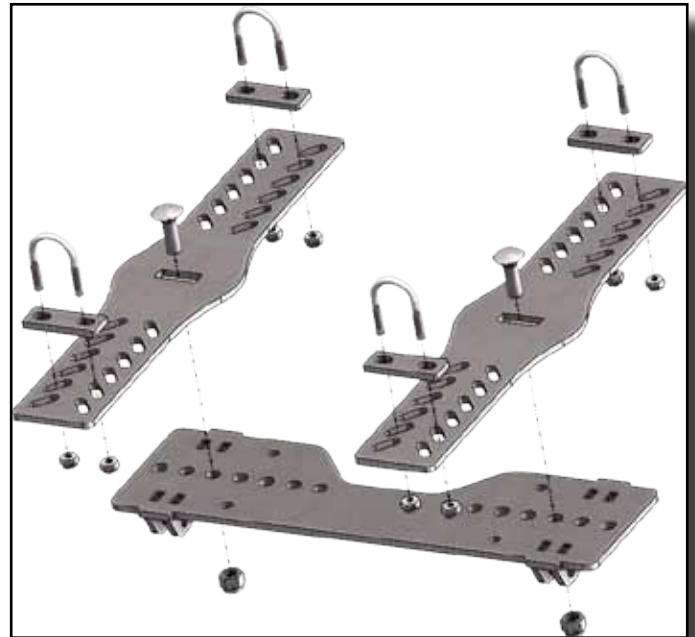
NOTE

Plow operation requires these components sold separately:

KFI Plow ATV Plow Blade

KFI Push Tubes #105000

KFI Plow Blade Lift System
(Winch Kit or Manual Lift)



ASSEMBLY INSTRUCTIONS:

Note: This plow mount will fit 90% of ATV's. There are four different styles and sizes of U-Bolts. We provide these different sizes and styles to fit over large, small, round, and square tubing on your ATV's frame. Customers that want to leave their skid plate on will have to fit up their mount then remove it and follow the modified skid plate instructions at the end.

(The following pictures are examples of ATV fit-ups. Different holes and slots will be used, pertaining to you specific ATV.)

1. Remove the skid plate from the bottom of the ATV if still attached.
2. Find the U-Bolts that you need to fit the frame for the mounting straps that run along the frame locations. Examples shown in [Figures 1 & 2](#).
3. Install the selected U-Bolts that fit your ATV, items #13, #14, #15, or #16 onto the frame tubing. Examples shown in [Figures 1 & 2](#).
4. Install the carriage bolts #3, into the center hole of the mount straps #2. Loosely attach the assembled mount straps #2 to the U-Bolt using the fasteners #8. Shown in [Figure 3 & 4](#).
5. Loosely attach the universal mount weldment #1, using the fasteners #4. Shown in [Figures 4 & 5](#).

NOTE

While attaching the mount make sure it is not compromising any drain plugs if possible but not required.

Examples:

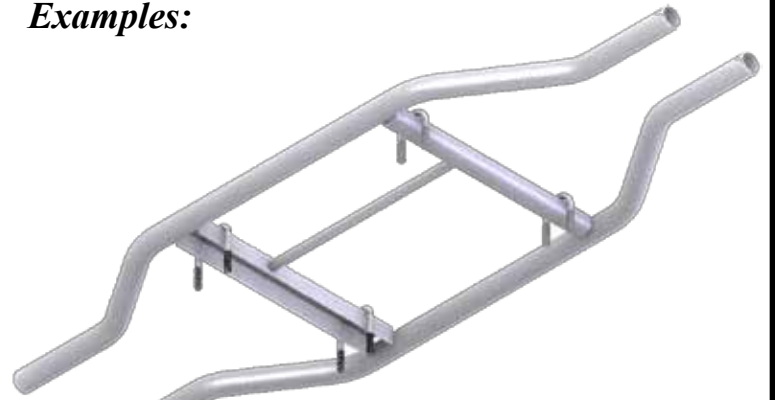


Figure 1

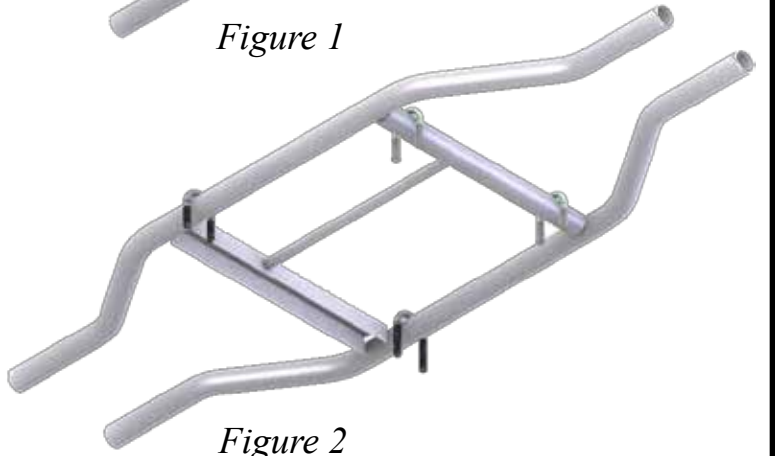


Figure 2

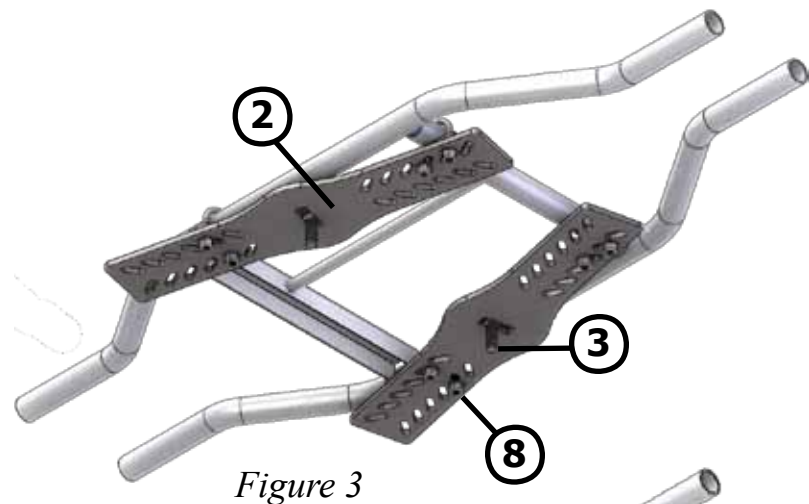


Figure 3

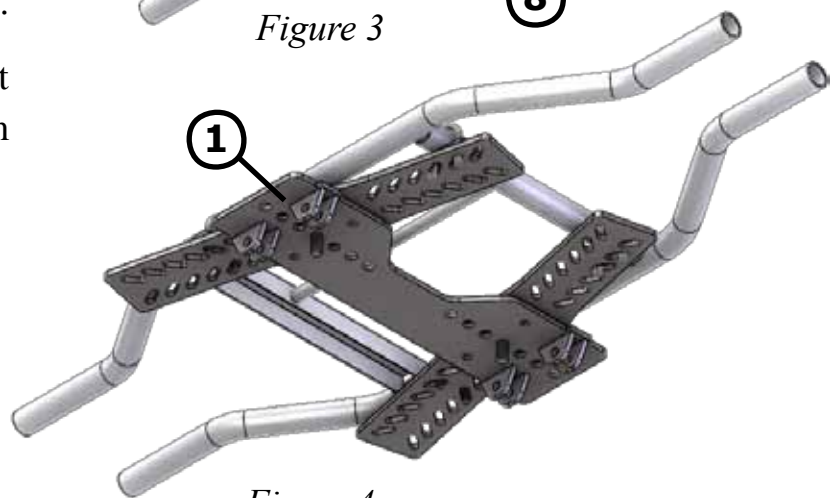


Figure 4

6. Double check to make sure the mount set back distance is still correct. Shown on Pg. 3

7. *For installers who are deciding to modify and replace their skid plate refer to Pg. 6 before moving on.*

Note: If your frame or skid plate is uneven you can also use spacers #7 to even it out. Shown in Figure 6.

8. Tighten all hardware down evenly. Shown in Figure 5.

OPTIONAL - For installers who require the ATV inner fender liner to be fastened down due to the skid plate removal, install parts #9, #10, #11, #12. Shown in Figure 7.

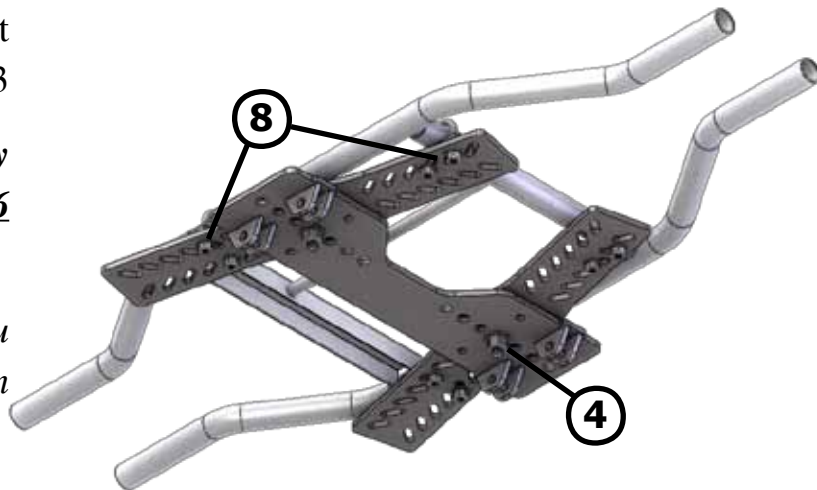


Figure 5

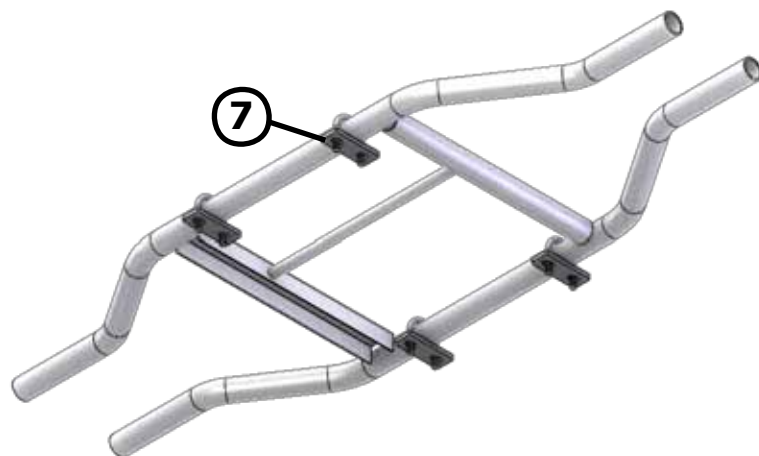


Figure 6

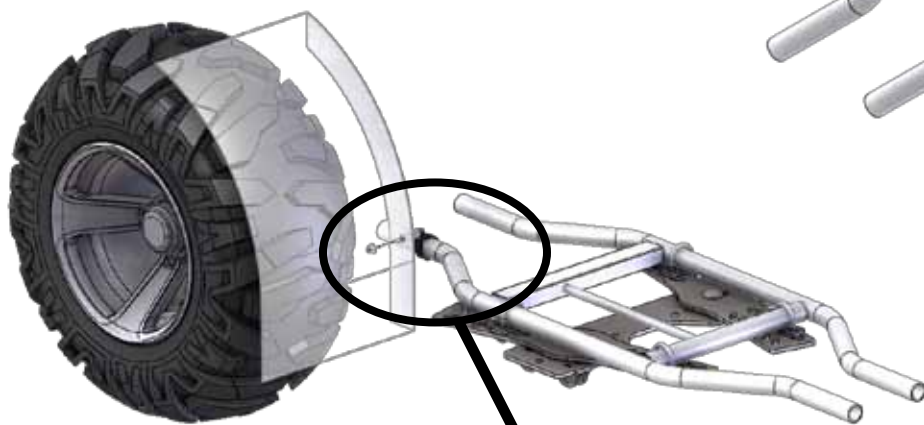
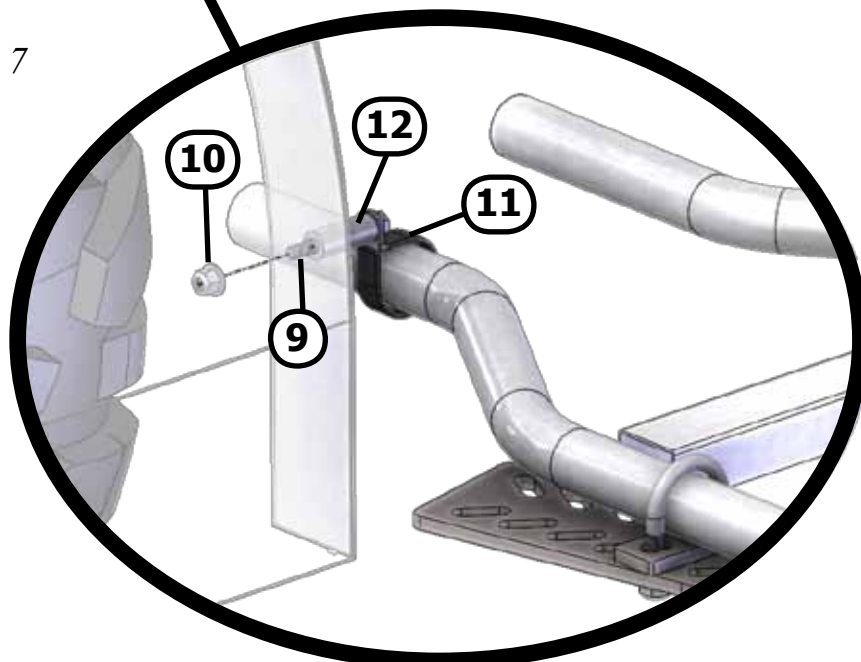


Figure 7



Modify Skid Plate Instructions

NOTE: For installers who decide to modify and reinstall their skid plate (if equipped) they will need to remove their mount at this time and follow the instructions below.

OPTION (1): After locating the U-Bolt mounting areas drill out the skid plate and install using hardware provided. Refer to the [Option 1](#).

OPTION (2): Cut the skid plate to fit around the mount strap locations per machine and install using the hardware provided. Refer to the [Option 2](#).

OPTION (3): If your mount hits anywhere on your skid plate place the spacers #7 onto the U-Bolts. Cut the skid plate to fit around the spacer per machine and install using the hardware provided. Refer to [Option 3](#).

Once you have modified your skid plate to fit using one of the options above, reattach your mount to the ATV & continue at Step 8 on Page 5.

