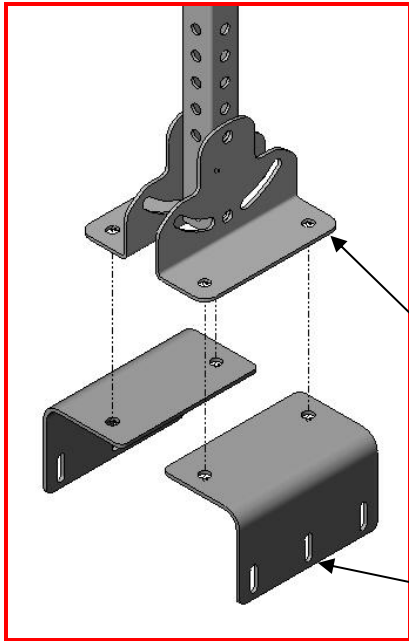




20076 - KAWASAKI TERYX ADAPTOR PLATE



Description	Quantity
Adaptor Plates	2
¼" Truss Head Bolt	4
¼" Nylock Nut	4
¼" Washer	4

20073 Gun Mount

Adaptor Plate

UTV Gun Rack Mounting:

1. Attach the Adaptor Plate to the 20073 Gun Mount using the Hardware and following the directions of the 20073.
2. Find a spot on the center shroud that best fits your guns and gun rack. Mark the holes.
3. Remove the plastic center shroud from the Teryx.
4. Using the holes you marked in your machine, drill out the plastic using a ¼" and 3/8" Drill Bits.
5. Using the (4) ¼" Truss Head Bolts, Nuts and Washers and the (4) 3/8" Hex Head Bolts, Nuts, and Washers, attach the Adaptor Plate to the center shroud. Tighten Securely.
6. Finally, replace the center shroud back into your Kawasaki Teryx.

UTV Gun Rack Use:

- Place the Gun into the Kolpin UTV Gun Mount and secure with the Rubber strap.
- The UTV Gun Mount is designed to carry your Guns safely and securely from one destination to the next.

CAUTION: Always make sure gun is unloaded and pointed in a safe direction before traveling.

CAUTION: Check with local authorities to make sure you are able to travel with uncased weapon.

Kolpin Outdoors, Inc.
 205 N. Depot Street, Fox Lake, WI
 Phone #: (877) 9KOLPIN or (920) 928-3118
www.kolpinpowersports.com
customerservice@kolpin.com