



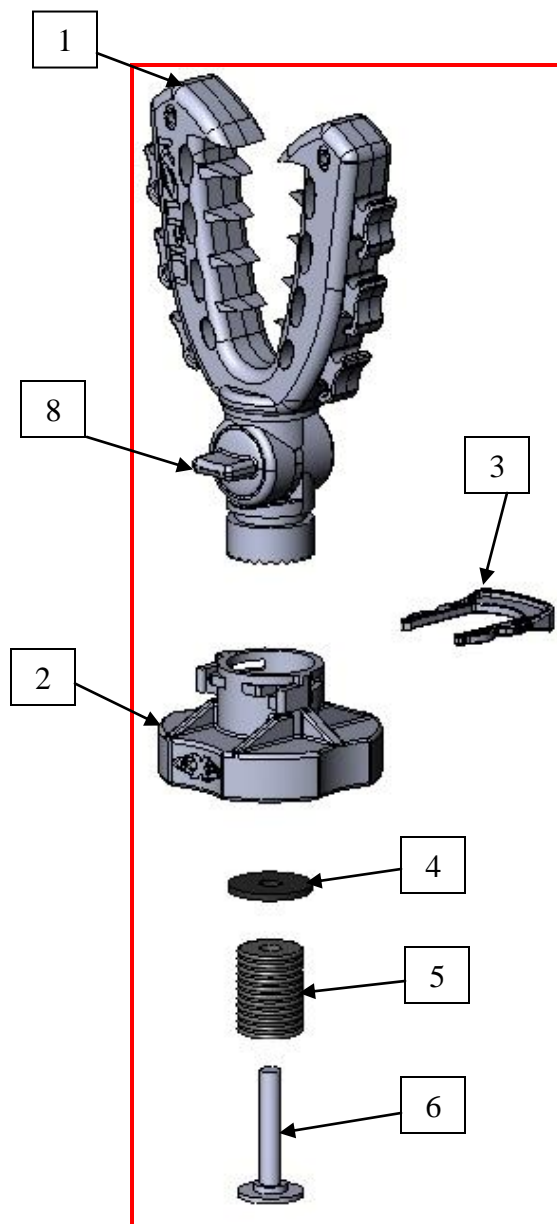
21511-21512 – KXP Rhino Grip XL

21511 Parts List:

Item	Description	Quantity
1	Rhino Grip XL	2
2	Rhino Grip Base	2
3	Kwik Clip	2
4	Nylon Washer	2
5	Rubber Expander*	2
6	Threaded Rod	2
7	Rubber Strap	2
8	Thumb Screw	2

21511 Assembly:

1. Place the rubber expander on the threaded rod. Place the nylon washer on top of the rubber expander and thread the rod into the threaded insert in the bottom of the base.
* NOTE: the rubber expander for both systems has a counter-bored relief that mates to the threaded rod. Please be sure to install correctly!
2. Place the expander in the Lock & Ride hole and twist the base clockwise. As you twist the threaded rod will compress the rubber expander and secure the grip to your Sportsman ATV Rack.
3. Place the Rhino Grip into the base, orient the grip as desired and secure with the Kwik Clip.
4. To remove, simply turn the base counter clockwise and remove from the ATV Rack.

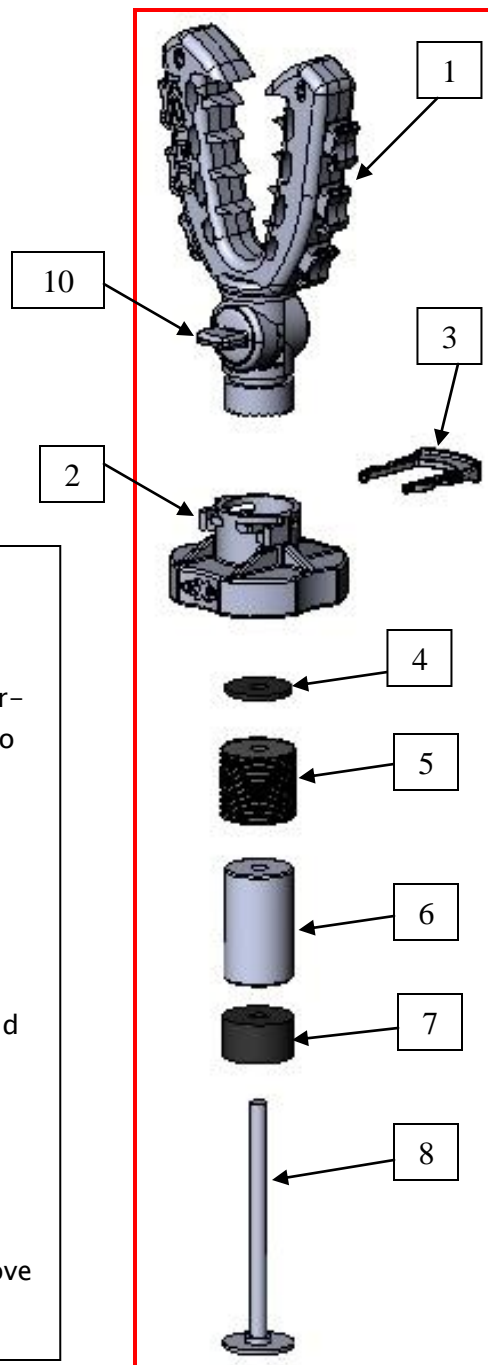


Kolpin now offers many accessory options for Polaris ATV and UTV models. For a complete listing of these KXP accessories and Kolpin's KXP Plungers that are compatible with Polaris® Lock & Ride® System, be sure to check out www.kolpin.com, as new items will be coming soon.



21512 Parts List:

Item	Description	Quantity
1	Rhino Grip XL	2
2	Rhino Grip Base	2
3	Kwik Clip	2
4	Nylon Washer	2
5	Large Rubber Expander	2
6	Plastic Spacer	2
7	Small Rubber Expander*	2
8	Threaded Rod	2
9	Rubber Strap	2
10	Thumb Screw	2



21512 Assembly:

1. Place the Smaller rubber expander on the threaded rod.
* NOTE: the rubber expander for both systems has a counter-bored relief that mates to the threaded rod. Please be sure to install correctly!
2. Slide the plastic spacer onto the threaded rod.
3. Slide the larger rubber expander onto the rod.
4. Place the nylon washer on top of the large rubber expander and thread the rod into the threaded insert in the bottom of the base.
5. Place the expander in the Lock & Ride hole on the bed rail and twist the base clockwise. As you twist the threaded rod will compress the rubber expanders and secure the grip to your Polaris Ranger.
6. Place the Rhino Grip into the base, orient the grip as desired and secure with the Kwik Clip.
7. To remove, simply turn the base counter clockwise and remove from the bed rail.

Kolpin now offers many accessory options for Polaris ATV and UTV models. For a complete listing of these KXP accessories and Kolpin's KXP Plungers that are compatible with Polaris® Lock & Ride® System, be sure to check out www.kolpin.com, as new items will be coming soon.