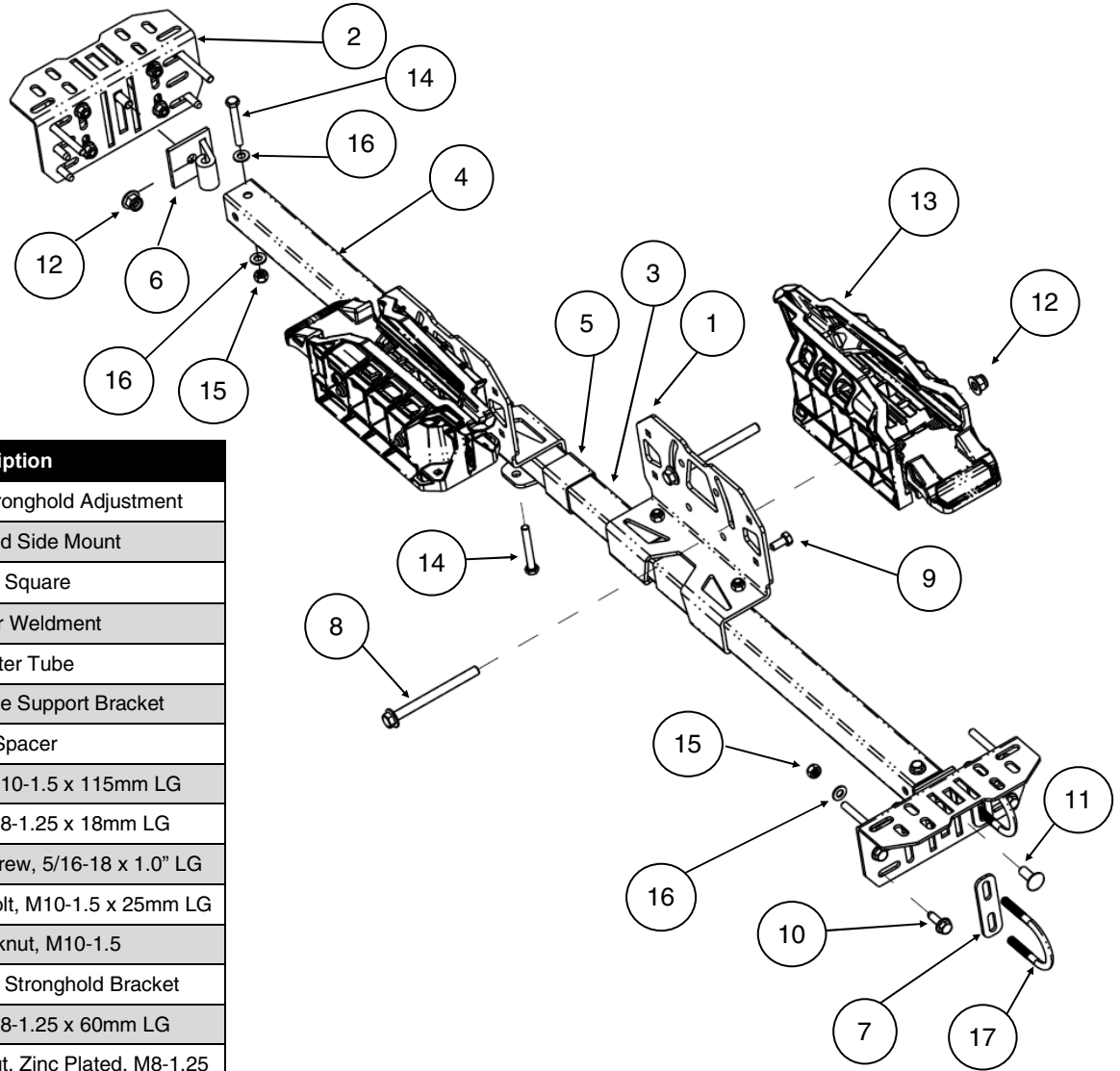


UTV Universal Stronghold Auto-Latch Double Boot Mount



Product Instructions | Part No: 20000



This Kit includes:

| Item | Qty | Part Description |
|------|-----|-----------------------------------|
| 1 | 2 | Bracket, Stronghold Adjustment |
| 2 | 2 | Bracket, Bed Side Mount |
| 3 | 1 | Tube, Inner Square |
| 4 | 2 | Tube, Outer Weldment |
| 5 | 2 | Spacer, Outer Tube |
| 6 | 2 | Hinge, Angle Support Bracket |
| 7 | 4 | Plate, Flat Spacer |
| 8 | 4 | Hex Bolt, M10-1.5 x 115mm LG |
| 9 | 4 | Hex Bolt, M8-1.25 x 18mm LG |
| 10 | 6 | Tapping Screw, 5/16-18 x 1.0" LG |
| 11 | 2 | Carriage Bolt, M10-1.5 x 25mm LG |
| 12 | 6 | Flange Locknut, M10-1.5 |
| 13 | 2 | Auto-Latch, Stronghold Bracket |
| 14 | 10 | Hex Bolt, M8-1.25 x 60mm LG |
| 15 | 14 | Hex Locknut, Zinc Plated, M8-1.25 |
| 16 | 12 | Flat Washer, Zinc Plated, M8 |
| 17 | 4 | Round U-Bolt, M8-1.25 x 51mm |
| 18 | 1 | Instruction Guide (not shown) |

Application: All UTV Models, verify accessory fitment at Kolpin.com.

Before You Begin: Read these instructions and check to be sure all parts and tools are accounted for. Please retain these installation instructions for future reference and parts ordering information.

Note: If any hardware is missing, do not return to the store. Call us to help, Toll Free 1-877-956-5746.

Tools Required:

- Socket Set, Metric
- Wrench Set, Metric
- Drill for plastic

Kolpin Outdoors, Inc. | 9955 59th Ave N | Plymouth, MN 55442

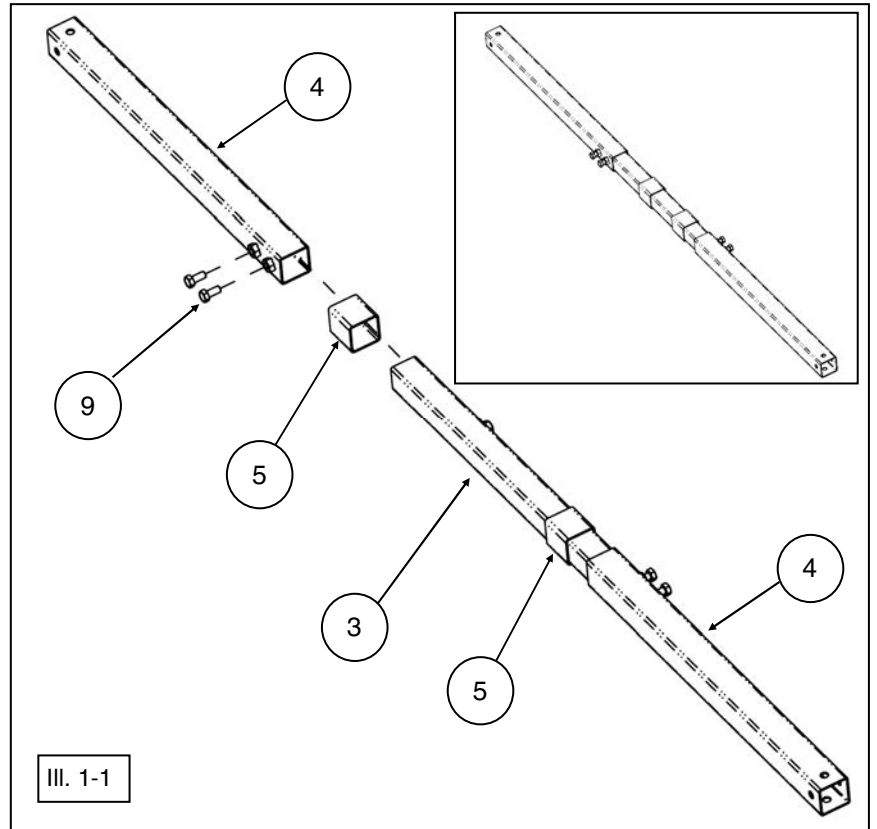
(877) 956-5746 or (763) 478-5800 | www.kolpin.com | customerservice@kolpin.com

Assembly Time: Approximately 25 minutes

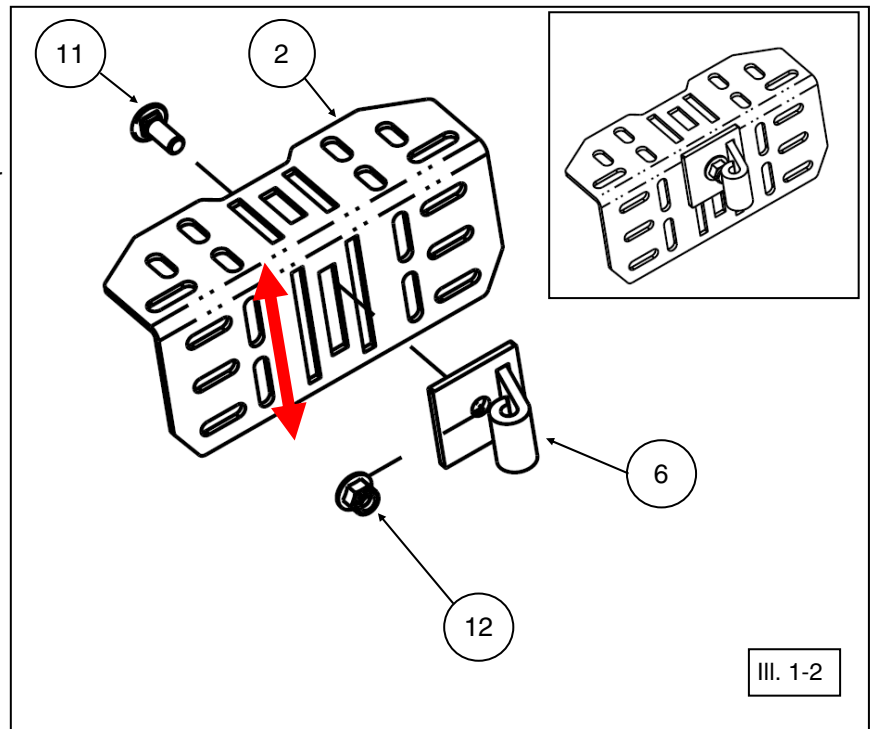
Important: Your Kolpin Universal Auto-Latch Double Boot Mount is exclusively designed for your vehicle. Please read the installation instructions thoroughly before beginning. Installation is easier if the vehicle is clean and free of debris. For your safety, and to ensure a satisfactory installation, perform all installation steps correctly in the sequence shown.

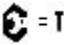
Installation Instructions:

1. Shift vehicle transmission into "PARK". Turn key to "OFF" position and remove from vehicle.
2. Insert the inner tube (item #3) into the outer tubes (item #4) as shown. Loosely thread the M8 hex screws (item #9) into the outer tubes, do not tighten. (See illustration 1-1). **Note: Full Size vehicles may require usage of the spacer tube (item #5) depending on placement of the Stronghold Adjustment Bracket (item #1).**



3. Assemble the hinge angle support brackets (item #6) to the bedside mount bracket (item #2) as shown. Fasten with M10 carriage bolt (item #11) and M10 locknut (item #12) as shown. The hinge angle support bracket has slotted holes for vertical positioning adjustments, see arrow for direction. (See illustration 1-2). **Note: Height adjustments of the hinge angle bracket maybe required later depending on desired boot positioning on vehicle.**
4. Make sure both hinge angle supports are set at same height/position. Tighten the M10 locknut (item #12) to specification below.

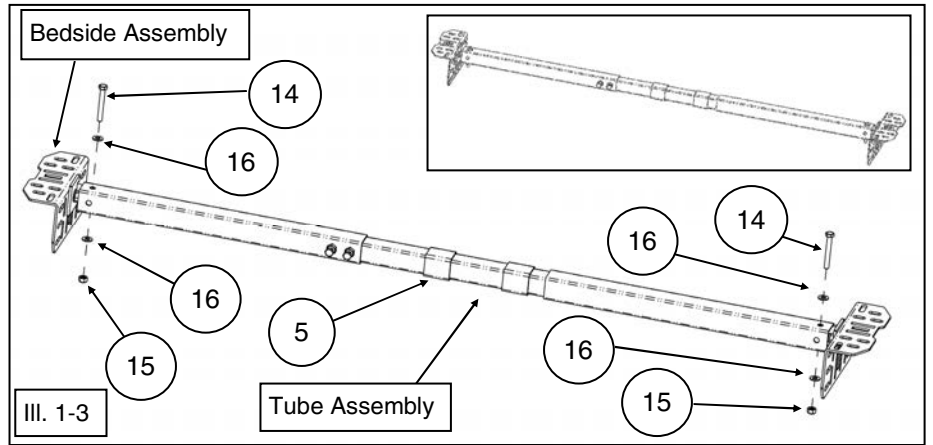


| |
|---|
|  = T |
| 10MM FASTENER TORQUE: 34 ft. lbs. (46 Nm) |

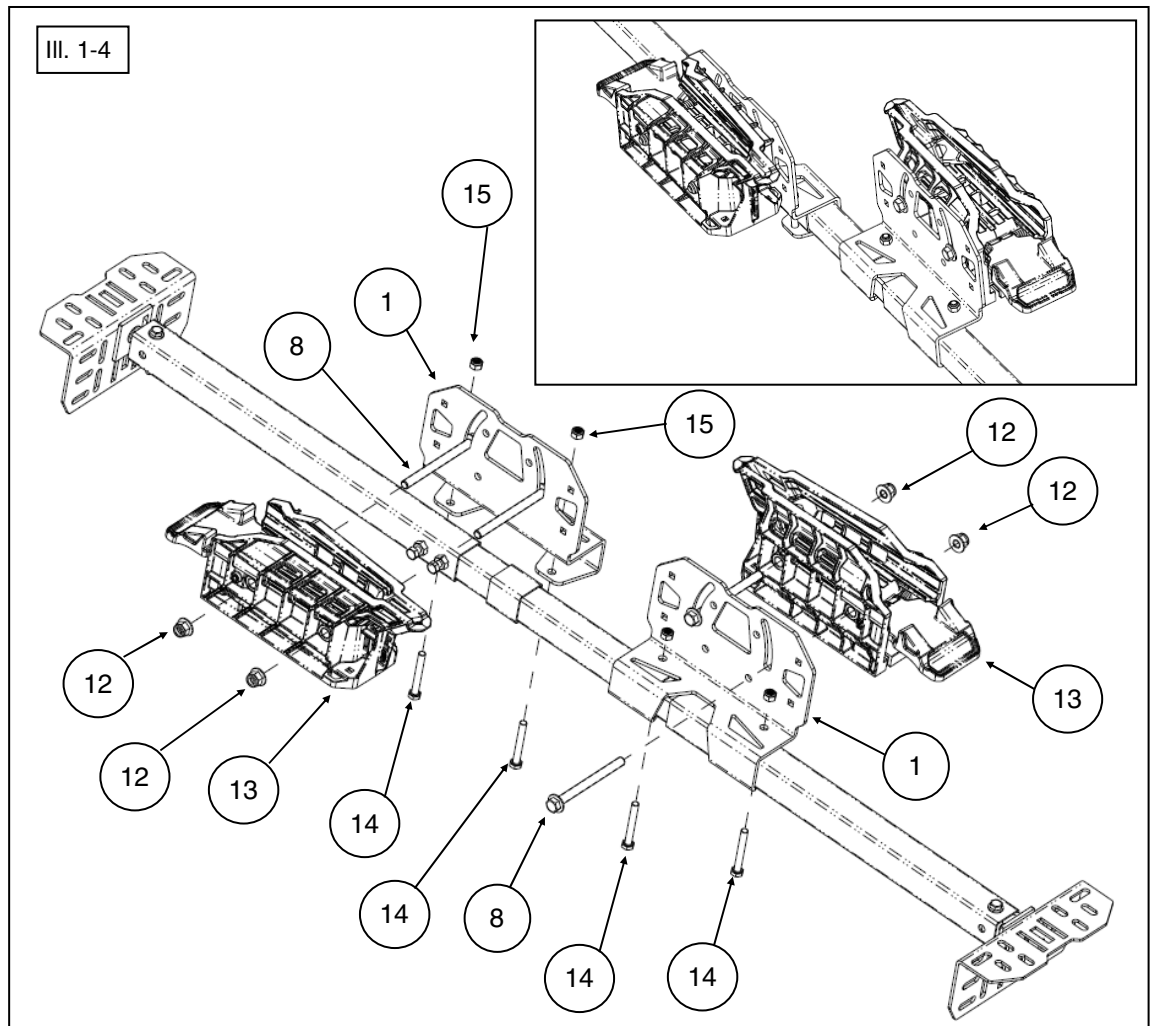
Installation Instructions

(Continued):

- Insert the bedside assemblies into the tube assembly. Fasten assemblies together using the long M8 bolt (item #14) and M8 washer (item #16) and secure underside with M8 washer (item #16) and M8 locknut (item #15) as shown. Do not tighten at this step. (See illustration 1-3). **Note: Full Size vehicles may require usage of the spacer tube (item #5) depending on placement of the Stronghold Adjustment Bracket (item #1).**



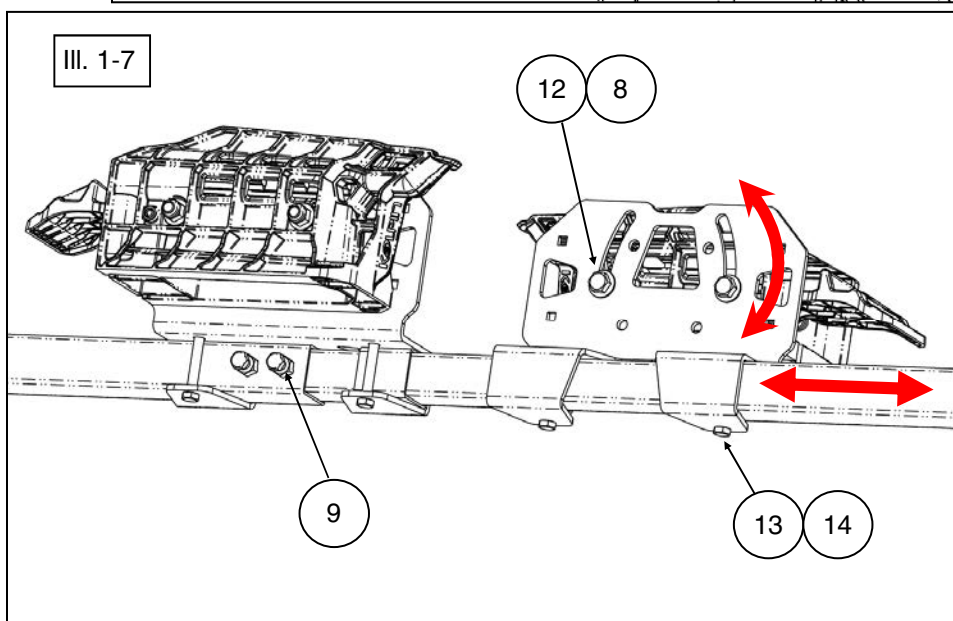
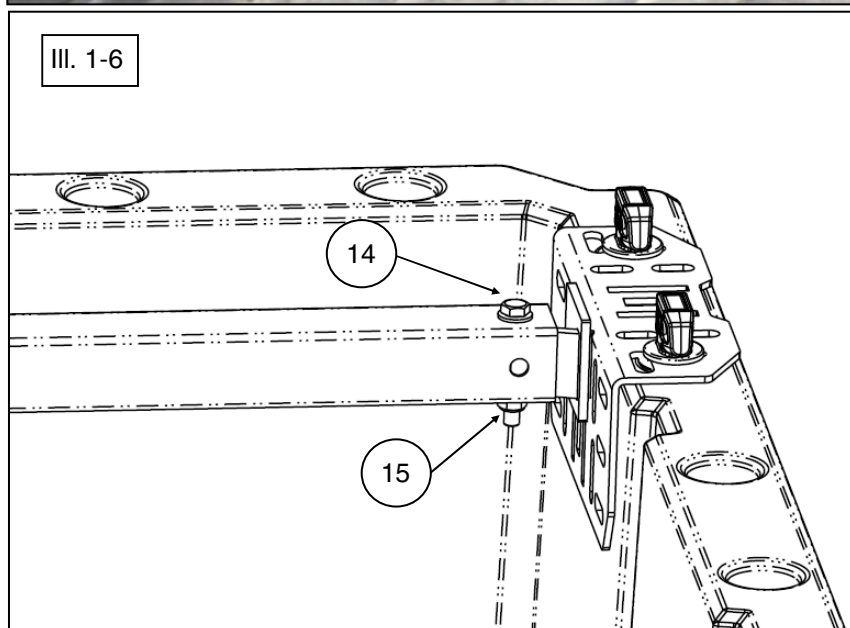
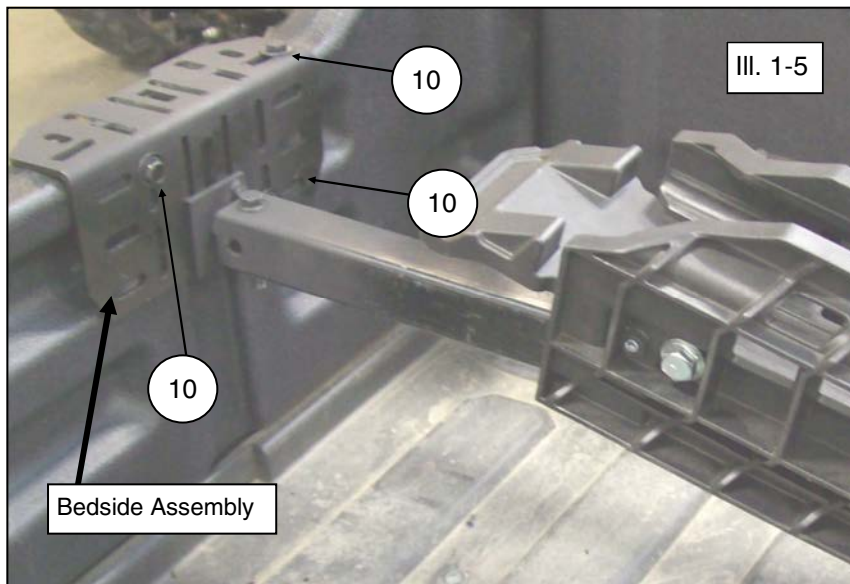
- Position the Stronghold Adjustment brackets (item #1) onto the tube assembly. Insert the long M8 bolts (item #14) thru the holes in the adjustment bracket (item #1) and fasten with M8 locknuts (item #15) as shown. The tube spacer (item #5) is needed for Full Size wide box installations to support the adjustment bracket (item #1) when tightening fasteners. (See illustration 1-4). **Note: Do not tighten hardware at this step since adjustments may be required later.**





- Position the Auto-Latch Bracket (item #13) onto the adjustment bracket (item #1) as shown. Fasten using the long M10 bolts (item #8) and M10 locknuts (item #12). (See illustration 1-4). **Note: Do not tighten hardware at this step since adjustments may be required later.**

Vehicle Installation Instructions:

8. **Note: The universal double boot mount is designed to attach to multiple UTV brands. Some hardware items in the kit are optional and may not be required to complete your installation.**
9. Position and place the mount assembly on the vehicle as desired. The self-tapping screws (item #10) and/or long M8 bolts (item #14) and/or the M8 u-bolts (item #17) combined with flat spacer plate (item #7) can be used to secure assembly to the cargo bed. Modifications such as drilling may be required.
10. The self tapping screws (item #10) can be used for plastic and metal cargo bed installations. It's recommended to drill a pilot hole when using the self-tapping screws. For pilot hole, use drill bit size diameter 0.272" (letter I). Scribe and mark hole locations and then use drill to create pilot hole for self-tapping screw. (See illustration 1-5).
11. Once bedside assembly is secured to vehicle, tighten the M8 locknuts (item #15) that fasten the tube assembly to bedside mount assembly to specification below. (See illustration 1-6). **Note: Partial vehicle shown for clarity and optional Kolpin PN 98510 Polaris Lock & Ride anchors (sold separately).**
12. Once the bed width is determined for your vehicle (Full-Size or Mid-Size), tighten the M8 screws (item #9) to lock the outer tubes to inner tube. (See illustration 1-7). **Note: Vehicle not shown for clarity.**
13. Install the gun boot on the vehicle as desired and put your gun in it.
14. Adjust the side-to-side positioning and angle position as desired. Check for interference between the gun boot and vehicle. (See illustration 1-7).
15. Tighten all of the remaining fasteners to specifications below.



| |
|---|
|  = T |
| METAL ADJUSTMENT (ITEM #14 & 15) 8MM FASTENER TORQUE: 17 ft. lbs. (23 Nm) |

| |
|---|
|  = T |
| PLASTIC AUTO-LATCH (ITEM 12 & 8) FASTENER TORQUE: 10 ft. lbs. (23 Nm) |

Polaris Ranger Installation Instructions:

16. The Kolpin UTV Universal Double Boot Mount kit will fit Polaris Ranger cargo beds with Lock & Ride features. Kolpin accessories are optional and not supplied with 20000 kit. Quantity (4) UTV Lock & Ride Anchor plugs (Kolpin PN 98510) is recommended and will need to be purchased separately and can be found online at Kolpin.com or through dealers.

17. Attach the four Lock & Ride Anchor plugs (sold separately PN 98510) to the bedside mounting bracket (item #2) as shown. Then position and place the mount assembly on the vehicle as desired. Tighten the Lock & Ride anchors (sold separately PN 98510) to secure assembly to the cargo bed. (See illustration 1-8). **Note: Partial vehicle shown for clarity.**

18. Position and place the mount assembly on the vehicle as desired. Tighten the Lock & Ride anchors (sold separately PN 98510) to secure assembly to the cargo bed. (See illustration 1-9). **Note: Partial vehicle shown for clarity.**

19. Perform Steps 11-15 on previous page to complete installation on Polaris Ranger.

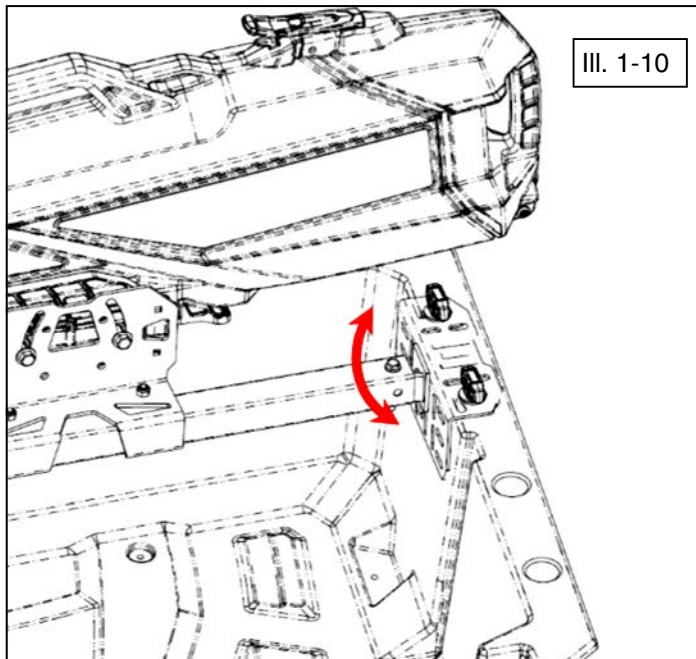
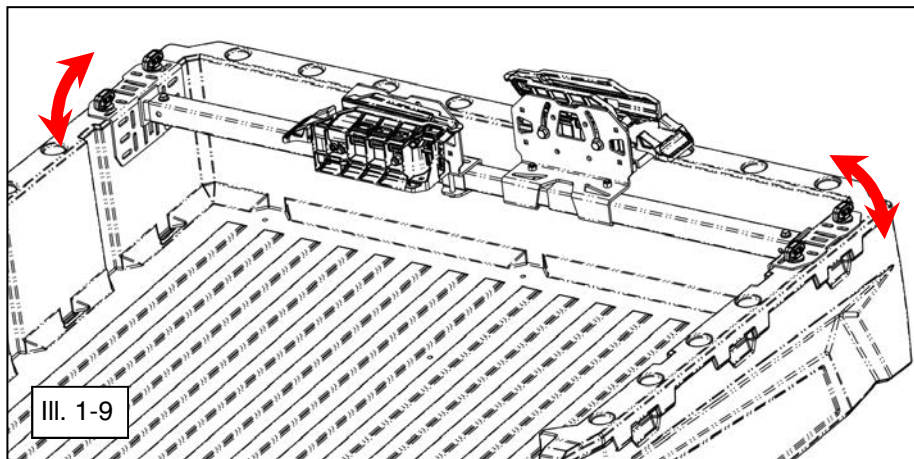
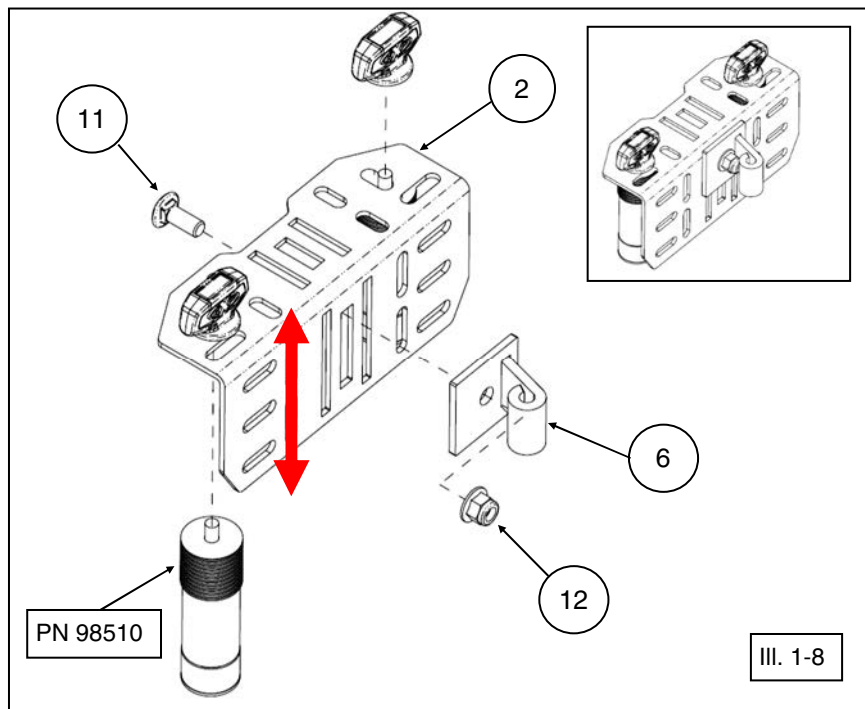
Polaris General Installation Instructions:

20. The Kolpin UTV Universal Double Boot Mount kit will fit Polaris General cargo beds with Lock & Ride features. Kolpin accessories are optional and not supplied with 20000 kit. Quantity (4) UTV Lock & Ride Anchor plugs (Kolpin PN 98510) is recommended and will need to be purchased separately and can be found online at Kolpin.com or through dealers.

21. Attach the four Lock & Ride Anchor plugs (sold separately PN 98510) to the bedside mounting bracket (item #2) as shown. Then position and place the mount assembly on the vehicle as desired. Tighten the Lock & Ride anchors (sold separately PN 98510) to secure assembly to the cargo bed. (See illustration 1-8). **Note: Partial vehicle shown for clarity.**

22. Position and place the mount assembly on the vehicle as desired. Tighten the Lock & Ride anchors (sold separately PN 98510) to secure assembly to the cargo bed. The bedside assembly will need the tube assembly to be angled slightly on the hinge bracket. (See illustration 1-10). **Note: Partial vehicle and gun boot shown for clarity.**

23. Perform Steps 11-15 on previous page to complete installation on Polaris General.



Supporting Vehicle Installations:

24. Supplement vehicle install images are shown for references.

WARNING: Make sure the Kolpin Gun Boot does not extend below or outside the vehicle frame as severe damage could result to your firearm inside if obstructions are encountered.

CAUTION: ALWAYS make sure your firearm is unloaded before placing it in your Kolpin Gun Boot.



Use and Care Information:

- Check the accessory mounts frequently and retighten hardware if necessary.
- Replace this accessory with a new one if it is damaged.
- Never use petroleum solvents such as gasoline, thinner, benzene, acid or alkaline cleaners.

For additional assistance, please contact Kolpin customer service department at (877) 956-5746 or (763) 478-5800 or email customerservice@kolpin.com

One Year Limited Warranty

For the period of one (1) year from the purchase date, Kolpin will replace for the original purchaser, free of charge, any part or parts found upon examination by Kolpin to be defective in material, workmanship, or both.

All transportation costs incurred submitting product to Kolpin for warranty consideration must be borne by the purchaser. If Kolpin determines that the product must be returned to the factory for credit, please call 1-877-956-5746 for a Return Merchandise Authorization (RMA) number and shipping instructions.

This warranty does not apply to parts that have been damaged by accident, alteration, abuse, improper maintenance, normal wear, or other causes beyond the manufacturer's control. In order to protect you and your ATV, certain parts of the accessory system and/or hardware are designed to fail when the equipment is over-stressed. Parts that are lost due to loosening and improper maintenance are not covered under warranty. This warranty does not cover removal or reinstallation labor fees of the plow system and related components.

Peripheral products such as engines, electric motors, and actuators may carry an original manufacturer's warranty. Most hardware is general in nature and is easily obtained locally. Be sure to replace with minimum metric class 8.8 specification.