



MID-MOUNT KIT

FOR HONDA ATV's

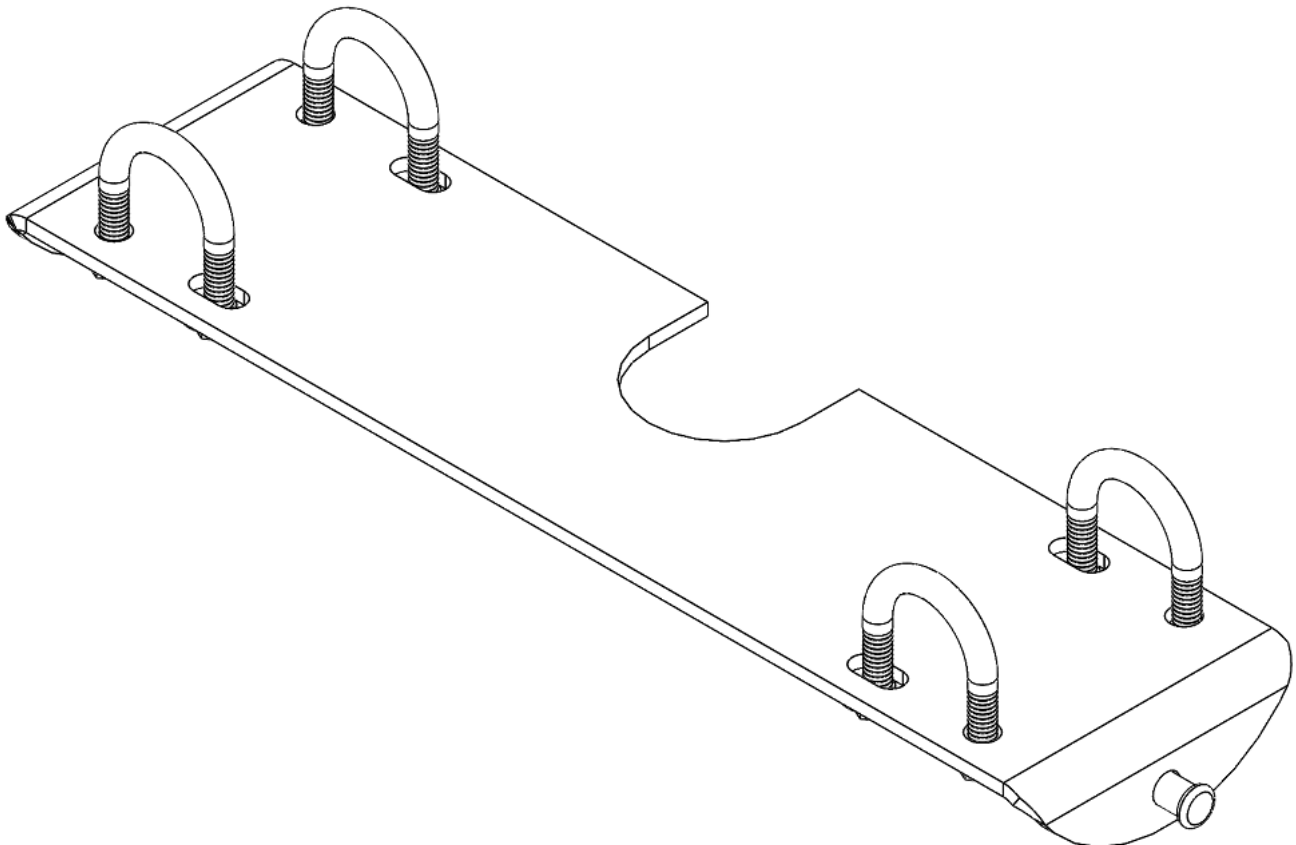
P/N 15-1510

ASSEMBLY / OWNERS MANUAL

Application

PLOW PUSH FRAME NO. 15-0070, 33-0000 or 33-0070

Before you begin, please read these instructions and check to be sure all parts and tools are accounted for. The following instructions contain details required to install and service the contents of this kit.



OPERATING INSTRUCTIONS

Congratulations! You've just purchased the most durable plow component in the industry. Kolpin plow components work great for summer or winter plowing. With proper care and maintenance, your Kolpin plow system will last for years to come!

NOTICE

Plow operation requires additional components for operation: *Kolpin Plow Blade, Kolpin Plow Push Frame, High Rise Plow Push Frame, Winch Kit and/or manual lift**

**These components may be specific to your vehicle.*

Please read and understand all assembly instructions, notices and warnings before assembling and operating your Kolpin plow system.

Follow these guidelines to ensure satisfactory operation:

- Read this manual and your ATV/ UTV operators manual before use.
- Periodically check for wear and tightness of all fasteners. Replace or re-torque fasteners as necessary.
- Before first use, set plow in the furthest right or left angled position to check for interference with the vehicle.
- Operate with extreme caution on slopes and rough terrain. Be familiar with the area before you plow.
- Be aware of immovable objects that could be hidden in the area you are plowing.
- To avoid damage when pushing snow into a pile, reverse direction before raising the plow blade.
- Do not ram the plow blade into piles of snow.
- For best results, set the suspension preload of your ATV/ UTV to the stiffest setting.
- To reduce steering effort and increase mobility, set the air pressure of your tires to the maximum pressure specification.
- The plow skids are adjustable. General skid setting is even with the plow wear bar bottom edge, higher settings reduce the chance of rocks and gravel from being collected.
- To increase traction during plow operation, operators can try: Securing weight to the ATV/ UTV for additional tire downforce, reducing tire air pressure, or installing tire chains.

SAFETY INFORMATION

Our plow systems were designed with your safety in mind. Please read and understand all Cautions, Notices and Warnings in this manual before you begin. In order to protect you and your ATV/UTV, certain parts of the plow system and/or hardware are designed to fail when the equipment is over-stressed.



DANGER

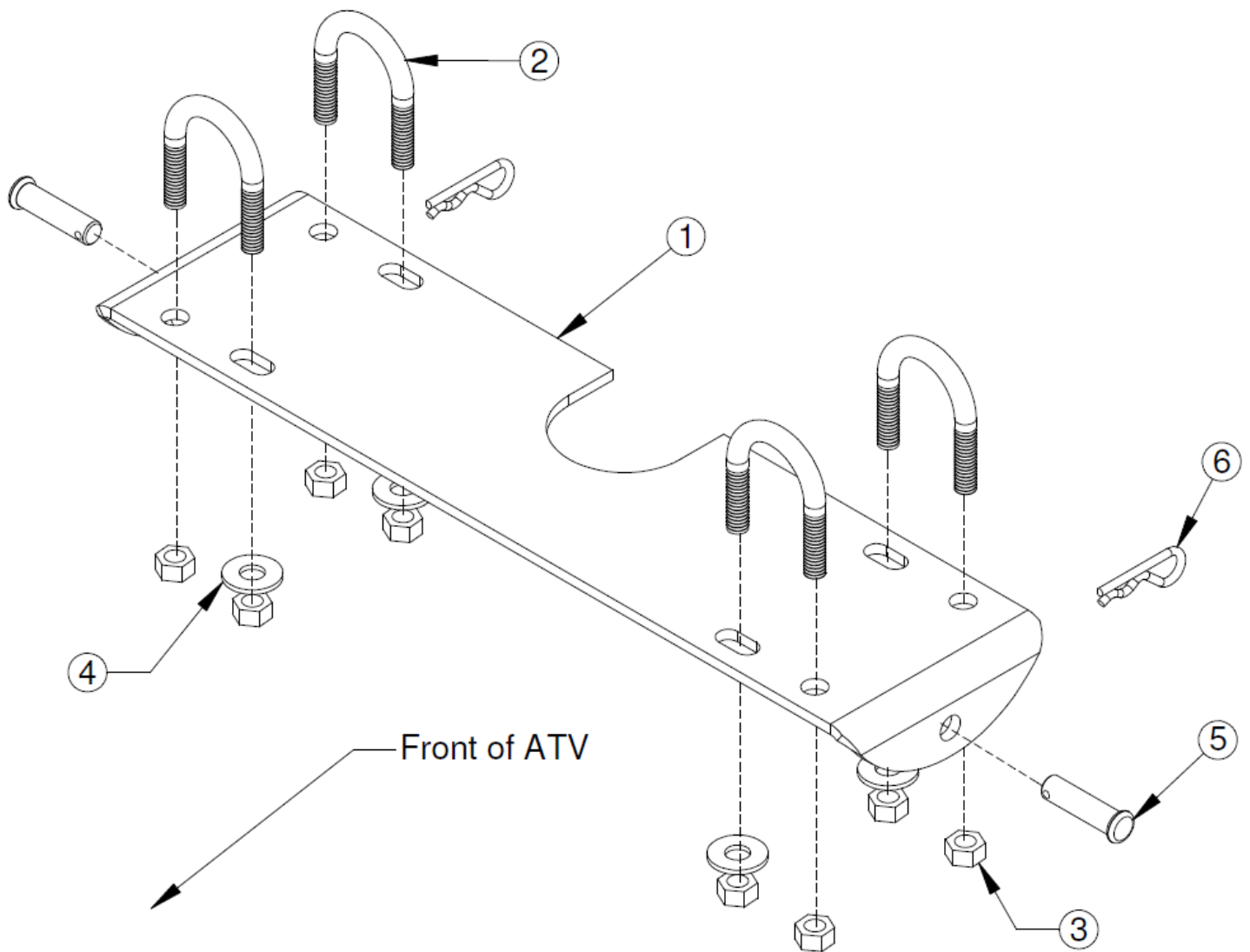


TO AVOID SERIOUS INJURY OR DEATH:

1. **DO NOT EXCEED 5 MPH (8 KMH) WITH BLADE INSTALLED.**
2. **OPERATE WITH EXTREME CAUTION ON SLOPES, STEEP GRADES, AND ROUGH TERRAIN.**
3. **ALLOW NO RIDERS ON BLADE OR ATV/UTV WHILE MOVING OR STATIONARY.**
4. **KEEP BYSTANDERS AWAY FROM THE BLADE OR ATV/UTV WHILE MOVING OR STATIONARY.**
5. **WHEN PUSHING HEAVY MATERIAL, DIRECTION CONTROL MAY BECOME DIFFICULT.**
6. **BEFORE ADJUSTING BLADE: STOP ATV/UTV ENGINE; SET AND LOCK BRAKES; RAISE AND LOCK BLADE IN UP POSITION. DO NOT ATTEMPT TO RAISE BLADE BY HAND; USE THE LIFT MECHANISM ONLY.**
7. **LOWER BLADE TO DOWN POSITION WHEN BLADE AND ATV/UTV ARE NOT IN USE.**
8. **READ BLADE'S INSTRUCTION SHEETS AND ATV/UTV OWNER MANUAL.**

Kit Contents:

Item	Qty	Part Description	Part Number
1	1	Blade Mount Weldment	CYC3163
2	4	U-Bolt, Zinc Plated, M8-1.25 x 32mm x 50mm	-
3	8	Flange Locknut, Zinc Plated, M8-1.25	-
4	4	Flat Washer, Zinc Plated, M8	-
5	2	Clevis Pin, Zinc Plated, 10mm x 35mm	-
6	2	Hair Pin, Zinc Plated, #3	-
7	1	Instruction Guide (not shown)	-



BEFORE YOU BEGIN:

- Your Kolpin accessory is exclusively designed for your vehicle
- Please read and understand all instructions
- Verify all parts and tools are accounted for
- To ensure a satisfactory installation, follow all steps correctly and in the sequence described
- Keep these instructions for future reference or for informational requests
- To facilitate installation, make sure that your vehicle is clean and free of debris
- All directions referring to right and left are when the rider is sitting on the machine

TOOLS REQUIRED:

- Basic Metric Hand Wrench and Socket Set
- Torque Wrench
- Do Not use impact tools to install hardware


APPROXIMATE ASSEMBLY TIME: 15 minutes

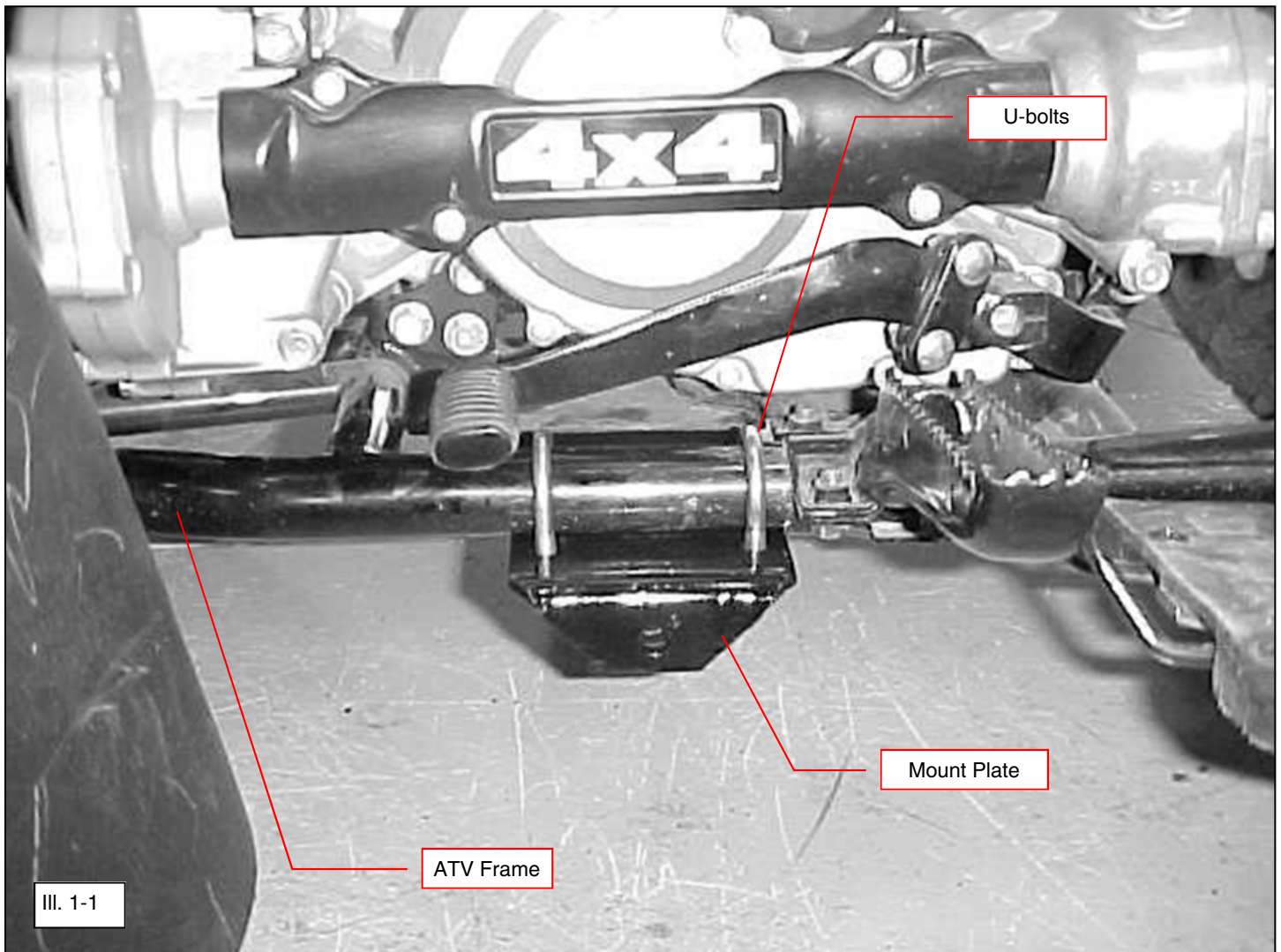
Note: If any hardware is missing, do not return to the store. Call us to help, Toll Free 1-877-956-5746.

SPARE KITS		Hardware kit P/N CYC5759
Item	Description	
2	U-Bolt, Zinc Plated, M8-1.25 x 32mm x 50mm	4x
3	Flange Locknut, Zinc Plated, M8-1.25	8x
4	Flat Washer, Zinc Plated, M8	4x
5	Clevis Pin, Zinc Plated, 10mm x 35mm	2x
6	Hair Pin, Zinc Plated, #3	2x

Installation:

1. Place two of the u-bolts, item #2, around the mainframe tubes on each side of the ATV, just ahead of the footpegs as shown. (See Illustration 1-1).
2. Place the mount bracket, item #1, under the ATV with the notch facing towards the rear.
3. Attach the mount plate to the ATV using the four u-bolts. Fasten the plate with washers, item #3, and nuts, item #4, as shown on page 3. Do not tighten at this step.
4. Slide the mount plate back until it makes contact with the footpeg plate that is wrapped around the main-frame tube. Tighten the nuts to specification.

 = T
8MM FASTENER TORQUE: 17 ft. lbs. (23 Nm)





One Year Limited Warranty

For the period of one (1) year from the purchase date, Kolpin will replace for the original purchaser, free of charge, any part or parts found upon examination by Kolpin to be defective in material, workmanship, or both.

All transportation costs incurred submitting product to Kolpin for warranty consideration must be borne by the purchaser. If Kolpin determines that the product must be returned to the factory for credit, please call 1-877-956-5746 for a Return Merchandise Authorization (RMA) number and shipping instructions.

This warranty does not apply to parts that have been damaged by accident, alteration, abuse, improper maintenance, normal wear, or other causes beyond the manufacturer's control. In order to protect you and your ATV, certain parts of the plow system and/or hardware are designed to fail when the equipment is over-stressed. Parts that are lost due to loosening and improper maintenance are not covered under warranty. This warranty does not cover removal or reinstallation labor fees of the plow system and related components.

Peripheral products such as engines, electric motors, and actuators may carry an original manufacturer's warranty. Most hardware is general in nature and is easily obtained locally. Be sure to replace with minimum metric class 8.8 specification.

Kolpin Outdoors, Inc.

Telephone: (763)-478-5800

Toll Free: (877)-956-5746

Fax Number: (800)-245-7569

www.kolpin.com

Email: customerservice@kolpin.com