



ALL MOUNT

UNIVERSAL ATV PLOW MOUNT KIT

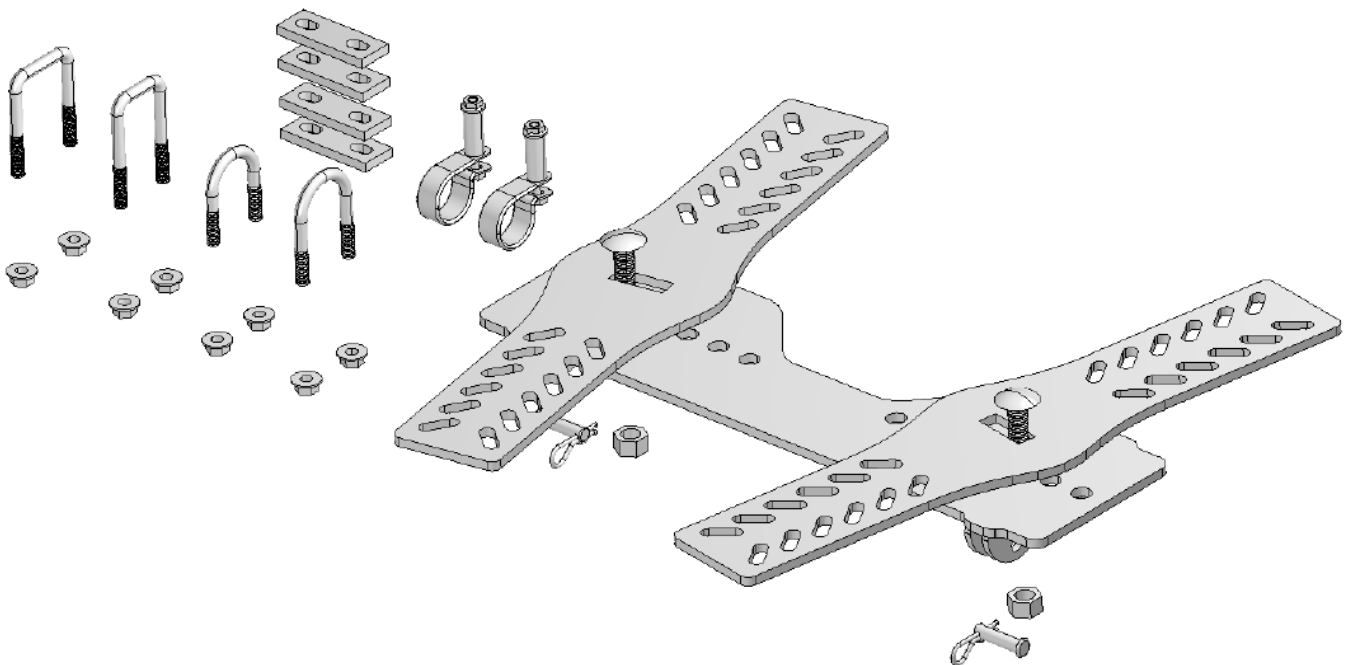
P/N 15-0050

ASSEMBLY / OWNERS MANUAL

Application

PLOW PUSH FRAME NO. 15-0070, 33-0000 or 33-0070

Before you begin, please read these instructions and check to be sure all parts and tools are accounted for. The following instructions contain details required to install and service the contents of this kit.



OPERATING INSTRUCTIONS

Congratulations! You've just purchased the most durable plow component in the industry. Kolpin plow components work great for summer or winter plowing. With proper care and maintenance, your Kolpin plow system will last for years to come!

NOTICE

Plow operation requires additional components for operation: *Kolpin Plow Push Frame, High Rise Plow Push Frame, Manual Lift or Winch Kit* *

**These components may be specific to your vehicle.*

Please read and understand all assembly instructions, notices and warnings before assembling and operating your Kolpin plow system.

Follow these guidelines to ensure satisfactory operation:

- Read this manual and your ATV/ UTV operators manual before use.
- Periodically check for wear and tightness of all fasteners. Replace or re-torque fasteners as necessary.
- Before first use, set plow in the furthest right or left angled position to check for interference with the vehicle.
- Operate with extreme caution on slopes and rough terrain. Be familiar with the area before you plow.
- Be aware of immovable objects that could be hidden in the area you are plowing.
- To avoid damage when pushing snow into a pile, reverse direction before raising the plow blade.
- Do not ram the plow blade into piles of snow.
- For best results, set the suspension preload of your ATV/ UTV to the stiffest setting.
- To reduce steering effort and increase mobility, set the air pressure of your tires to the maximum pressure specification.
- The plow skids are adjustable. General skid setting is even with the plow wear bar bottom edge, higher settings reduce the chance of rocks and gravel from being collected.
- To increase traction during plow operation, operators can try: Securing weight to the ATV/ UTV for additional tire downforce, reducing tire air pressure, or installing tire chains.

SAFETY INFORMATION

Our plow systems were designed with your safety in mind. Please read and understand all Cautions, Notices and Warnings in this manual before you begin. In order to protect you and your ATV/UTV, certain parts of the plow system and/or hardware are designed to fail when the equipment is over-stressed.



DANGER



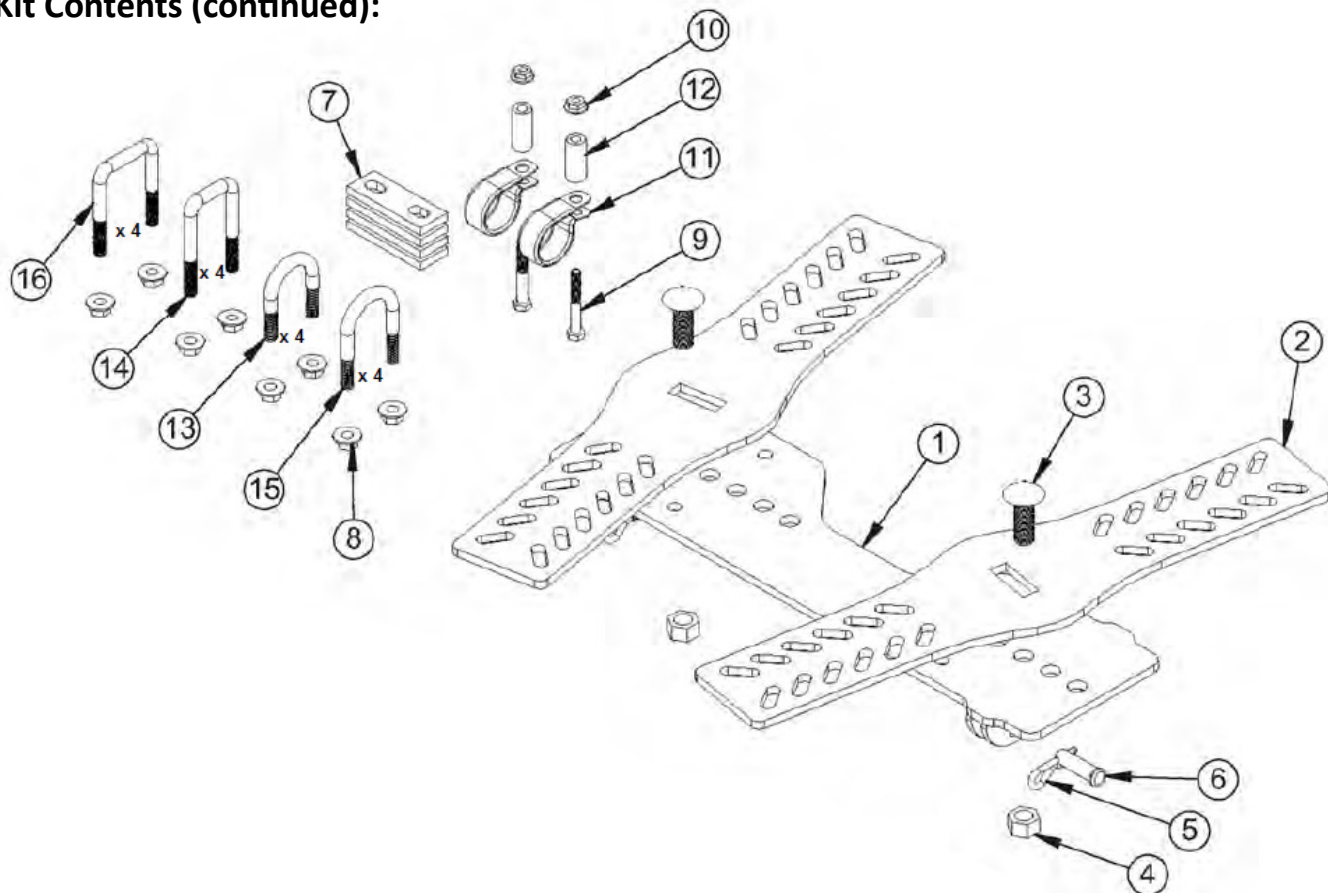
TO AVOID SERIOUS INJURY OR DEATH:

1. **DO NOT EXCEED 5 MPH (8 KMH) WITH BLADE INSTALLED.**
2. **OPERATE WITH EXTREME CAUTION ON SLOPES, STEEP GRADES, AND ROUGH TERRAIN.**
3. **ALLOW NO RIDERS ON BLADE OR ATV/UTV WHILE MOVING OR STATIONARY.**
4. **KEEP BYSTANDERS AWAY FROM THE BLADE OR ATV/UTV WHILE MOVING OR STATIONARY.**
5. **WHEN PUSHING HEAVY MATERIAL, DIRECTION CONTROL MAY BECOME DIFFICULT.**
6. **BEFORE ADJUSTING BLADE: STOP ATV/UTV ENGINE; SET AND LOCK BRAKES; RAISE AND LOCK BLADE IN UP POSITION. DO NOT ATTEMPT TO RAISE BLADE BY HAND; USE THE LIFT MECHANISM ONLY.**
7. **LOWER BLADE TO DOWN POSITION WHEN BLADE AND ATV/UTV ARE NOT IN USE.**
8. **READ BLADE'S INSTRUCTION SHEETS AND ATV/UTV OWNER MANUAL.**

Kit Contents:

Item	Qty	Part Description	Part Number
1	1	Universal Mount Weldment	CYC4104
2	2	Mount Strap Plate	CYC4106
3	2	Carriage Bolt, Zinc Plated, M12-1.75 x 40mm LG	-
4	2	Flange Locknut, Zinc Plated, M12-1.75	-
5	2	#3 Hair Pin	-
6	2	Clevis Pin, Zinc Plated, 10mm x 35mm	-
7	4	Spacer Plate	CYC4107
8	8	Flange Locknut, Zinc Plated, M8-1.25	-
9	2	Hex Bolt, Zinc Plated, M6-1.0 x 50mm LG	-
10	2	Locknut, Zinc Plated, M6-1.0	-
11	2	1.25" Dia. Vinyl P-Clamp	-
12	2	Mount Bracket Spacer 1.25"	-
13	4	Round U-Bolts, Zinc Plated, M8 x 32mm x 50mm	-
14	4	Square U-Bolts, Zinc Plated, M8 x 32mm x 70mm	-
15	4	Round U-Bolts, Zinc Plated, M8 x 35mm x 62mm	-
16	4	Round U-Bolts, Zinc Plated, M8 x 40mm x 65mm	-

Kit Contents (continued):



SPARE KITS		Hardware kit P/N CYC4108
Item	Description	
3	Carriage Bolt, Zinc Plated, M12-1.75 x 40mm LG	2x
4	Flange Locknut, Zinc Plated, M12-1.75	2x
5	#3 Hair Pin	2x
6	Clevis Pin, Zinc Plated, 10mm x 35mm	2x
8	Flange Locknut, Zinc Plated, M8-1.25	8x
9	Hex Bolt, Zinc Plated, M6-1.0 x 50mm LG	2x
10	Locknut, Zinc Plated, M6-1.0	2x
11	1.25" Dia. Vinyl P-Clamp	2x
12	Mount Bracket Spacer 1.25"	2x
13	Round U-Bolts, Zinc Plated, M8 x 32mm x 50mm	4x
14	Square U-Bolts, Zinc Plated, M8 x 32mm x 70mm	4x
15	Round U-Bolts, Zinc Plated, M8 x 35mm x 62mm	4x
16	Round U-Bolts, Zinc Plated, M8 x 40mm x 65mm	4x

BEFORE YOU BEGIN:

- Please read and understand all instructions
- Verify all parts and tools are accounted for
- To ensure a satisfactory installation, follow all steps correctly and in the sequence described
- Keep these instructions for future reference or for informational requests
- To facilitate installation, make sure that your vehicle is clean and free of debris
- All directions referring to right and left are when the rider is sitting on the machine

TOOLS REQUIRED:

- Basic Hand Wrench and Socket Set
- Torque Wrench
- Drill or cutting tools for plastic
- Depending on vehicle, additional tools may be required to remove plastic skid plate

INSTALLATION NOTES:

NOTICE

The ALL MOUNT is designed to attach to multiple ATV brands. Some items contained in the kit are optional and may not be required to complete the installation.

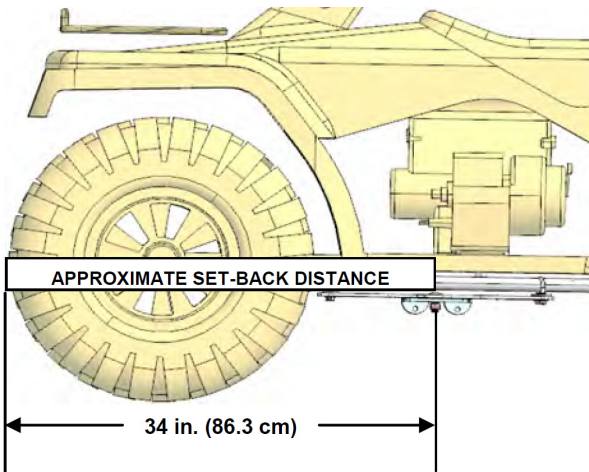
Frequently check to verify the mount is centered under the ATV, does not interfere with other components, and that the approximate mount set-back distance from the front bumper is maintained during installation.

NOTICE

Approximate Base Mount Plate (Item #1)

Set-Back Distance: 34 inches (86.36 cm)

Measurement Location: Mount Strap Carriage Bolt to Front of Tire Tread



CAUTION

Verify wires, cables, hoses or brake lines are not pinched or damaged during installation.

CAUTION

Verify wires, cables, hoses or brake lines are not pinched or damaged during installation.

NOTICE

Install the proper u-bolt for your frame type:

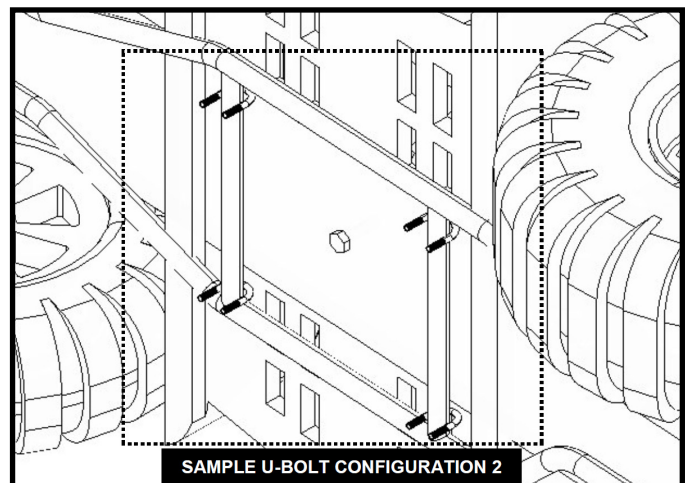
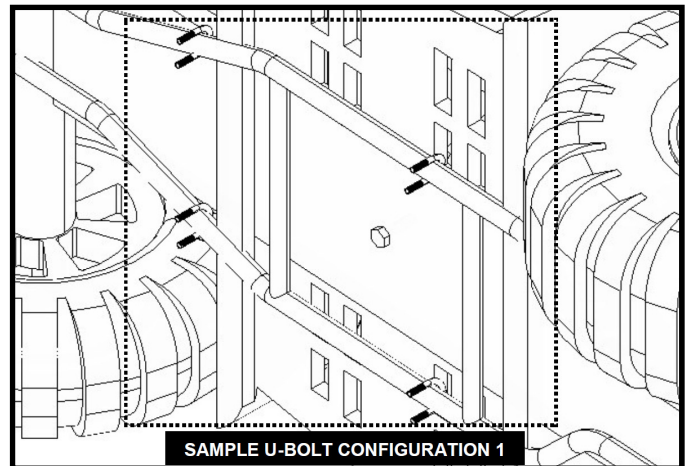
Item #13 = Round Tube Frames (small)

Item #14 = Square Tube Frames (small)

Item #15 = Round Tube Frames (large)

Item #16 = Square Tube Frames (large)

Only four u-bolts are required. U-bolts can be installed to the ATV frame front-to-back (configuration 1), left-to-right (configuration 2) or a combination of both.



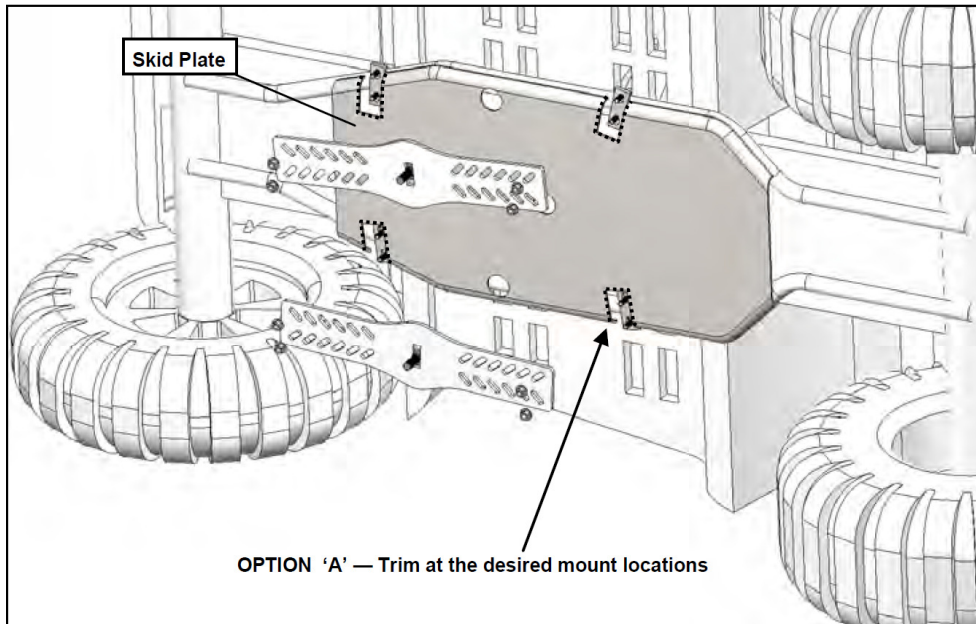
OPTIONAL INSTALLATION NOTES (From Step 3 - Page 7):

- Please read and understand all instructions before modifying your skid plate.
- DO NOT install the All Mount directly over skid plates.
- To ensure a satisfactory installation, follow all steps correctly and in the sequence described in this manual.

For installers who choose to modify and reinstall their skid plate (if equipped), please refer to the following suggested options:

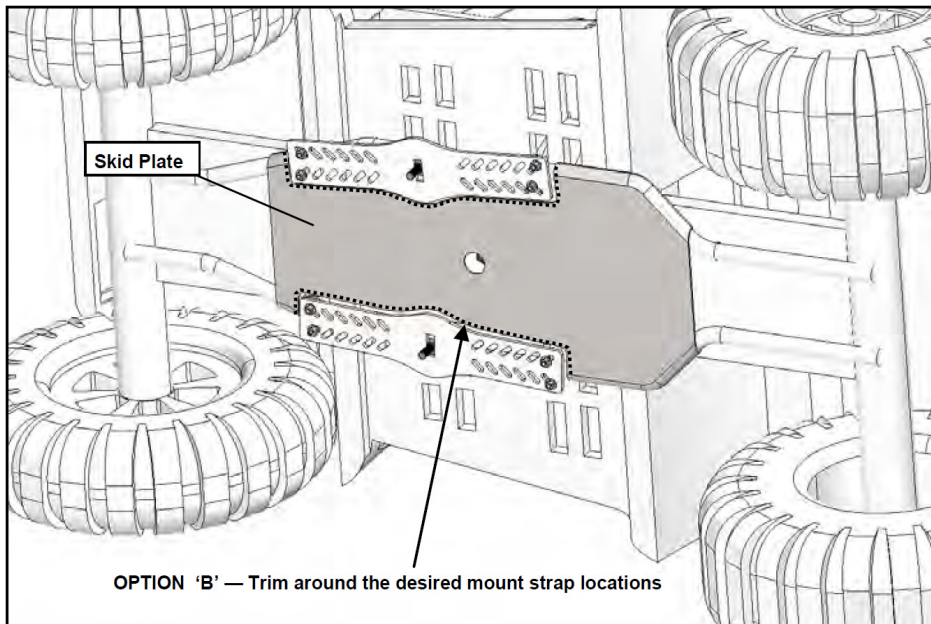
OPTION 'A' : After finding the pre-determined U-bolt mounting locations in Step 2, trim the skid plate and install using OEM fasteners. Refer to the generic illustration below. *Use caution not to trim away skid plate mounting points.*

Proceed to Step 4 - Page 7 after skid plate modification is complete.



OPTION 'B' : Trim the skid plate to fit around the mount strap locations as pre-determined in Step 2 and install using OEM fasteners. *Use caution not to trim away skid plate mounting points.* Refer to the generic illustration below.

Proceed to Step 4 - Page 7 after skid plate modification is complete.



ASSEMBLY INSTRUCTIONS:

1. Remove the skid plate from the bottom of the ATV (if equipped).
2. Pre-determine your U-bolt type and mounting strap locations. Select from supplied U-bolts, Items #13, #14, #15 or #16 and pre-fit the mount straps, item #2, to the frame. Determine the best U-bolts to use, their locations on the frame, and the mount set-back distance.

NOTICE
See Installation Notes - Page 5

3. **OPTIONAL** - For installers who wish to modify and re-install the ATV skid plate removed in Step 1, refer to page 5 instructions before proceeding to Step 4.

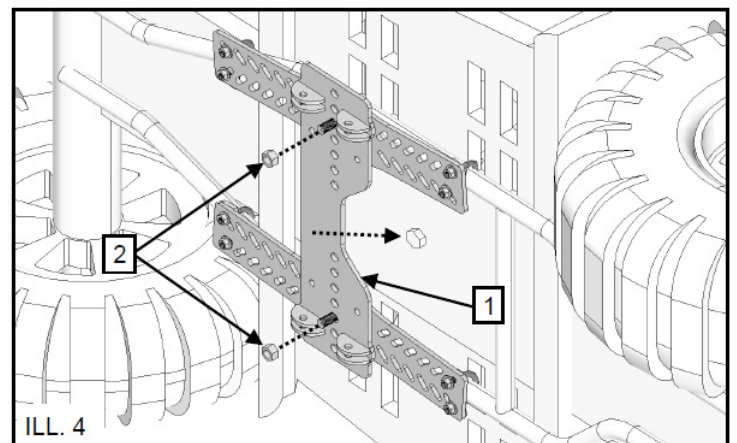
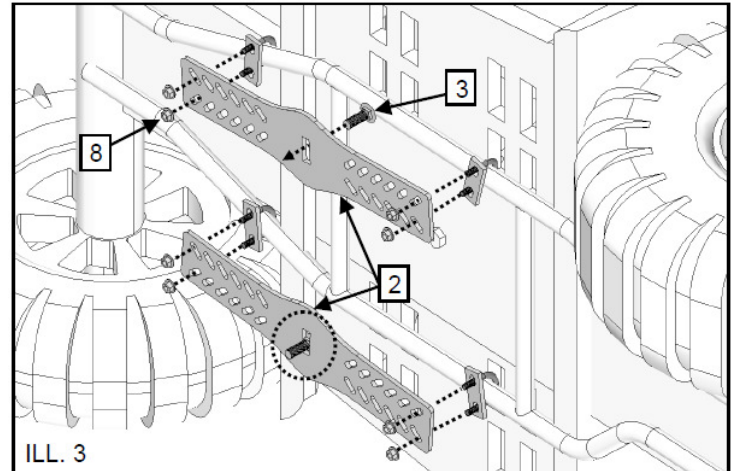
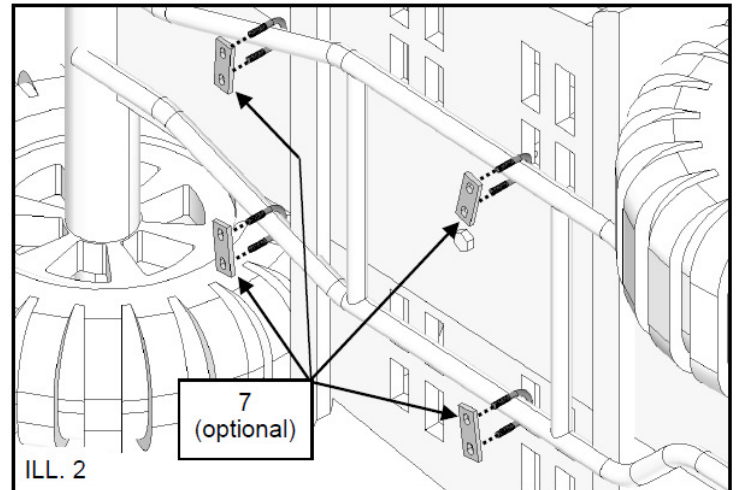
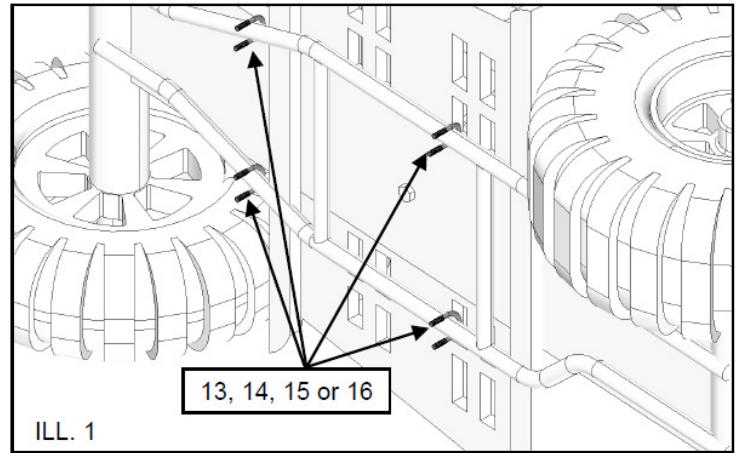
NOTICE
Refer to Step 3 Installation Notes - Page 6

4. Install the selected U-bolts, items #13, #14, #15 or #16 onto the ATV frame rails. See Illustration 1.
5. If required, place spacers, item #7, onto the U-bolts. See Illustration 2.

NOTICE
Item #7 spacers are optional and may not be required for certain installations.

6. Install carriage bolts, Item #3, into the center slot of the mount straps, Item #2. Attach the assembled mount straps to the U-bolts using fasteners, Item #8. Verify mount straps lay flat and do not contact any part of the vehicle other than the mounting points. See Illustration 3. Do not torque the fasteners at this time.

NOTICE
Universal mount cutout can be oriented forward or backward to add clearance for drain plugs (arrow)





ASSEMBLY INSTRUCTIONS (continued):

7. Attach universal mount weldment, Item #1, using fasteners, Item #4, as shown in Illustration 4.
8. Verify the mount set-back distance as shown in Illustration 5.

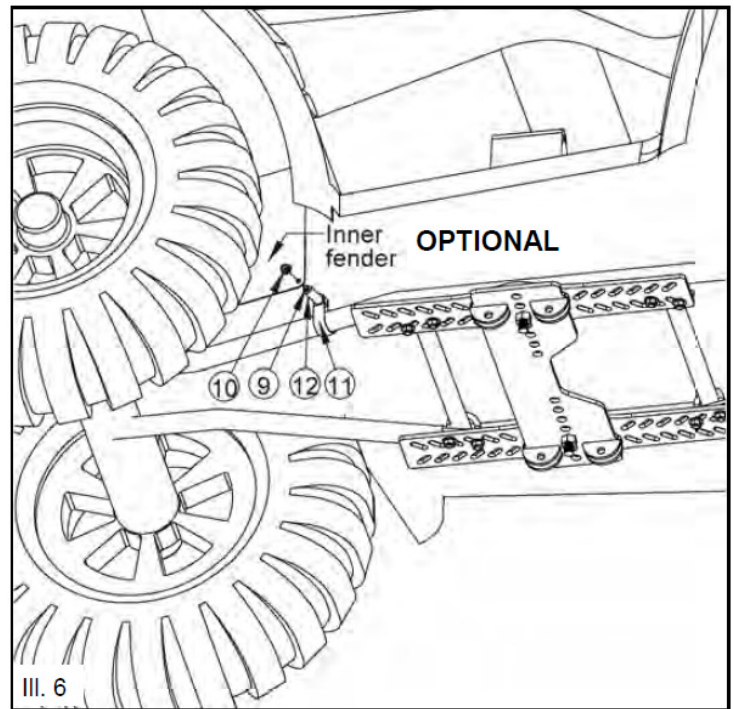
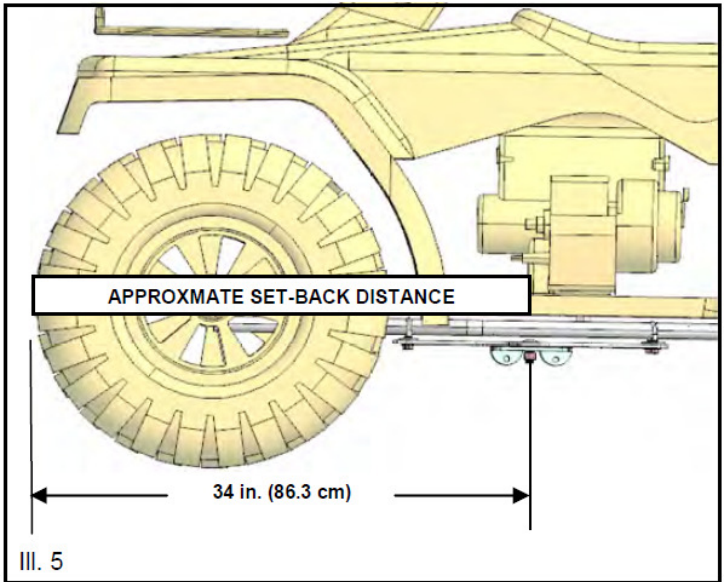
NOTICE
Universal Mount Weldment (Item #1) Set-Back Distance: 34 inches (86.36 cm)

9. Torque all mount fasteners to specification.

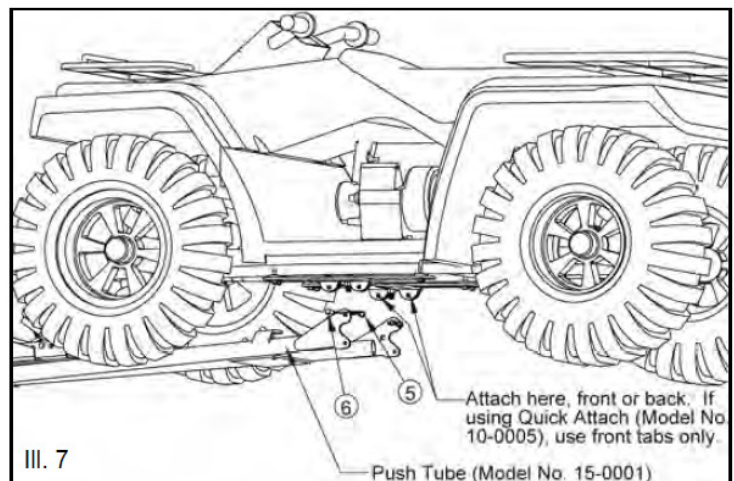
 = T
8MM FASTENER TORQUE: Item #8 - 17 ft. lbs. (23 Nm)

 = T
12MM FASTENER TORQUE: Item #4 - 30 ft. lbs. (41 Nm)

10. OPTIONAL - For installers who require the ATV inner fender liner to be fastened due to skid plate removal, install items #9, #10, #11 and #12. Refer to illustration 6.
11. Use clevis pin, item #6, and hair pin, item #5, to attach the push tube to the mount. See illustration 7.



NOTICE
Check fasteners before or after each use to prevent loosening of mount and/or poor performance





One Year Limited Warranty

For the period of one (1) year from the purchase date, Kolpin will replace for the original purchaser, free of charge, any part or parts found upon examination by Kolpin to be defective in material, workmanship, or both.

All transportation costs incurred submitting product to Kolpin for warranty consideration must be borne by the purchaser. If Kolpin determines that the product must be returned to the factory for credit, please call 1-877-956-5746 for a Return Merchandise Authorization (RMA) number and shipping instructions.

This warranty does not apply to parts that have been damaged by accident, alteration, abuse, improper maintenance, normal wear, or other causes beyond the manufacturer's control. In order to protect you and your ATV, certain parts of the plow system and/or hardware are designed to fail when the equipment is over-stressed. Parts that are lost due to loosening and improper maintenance are not covered under warranty. This warranty does not cover removal or reinstallation labor fees of the plow system and related components.

Peripheral products such as engines, electric motors, and actuators may carry an original manufacturer's warranty. Most hardware is general in nature and is easily obtained locally. Be sure to replace with minimum metric class 8.8 specification.

Kolpin Outdoors, Inc.

Telephone: (763)-478-5800

Toll Free: (877)-956-5746

Fax Number: (800)-245-7569

www.kolpin.com

Email: customerservice@kolpin.com