

# Off-Road Vehicle Chainsaw Mount Kit

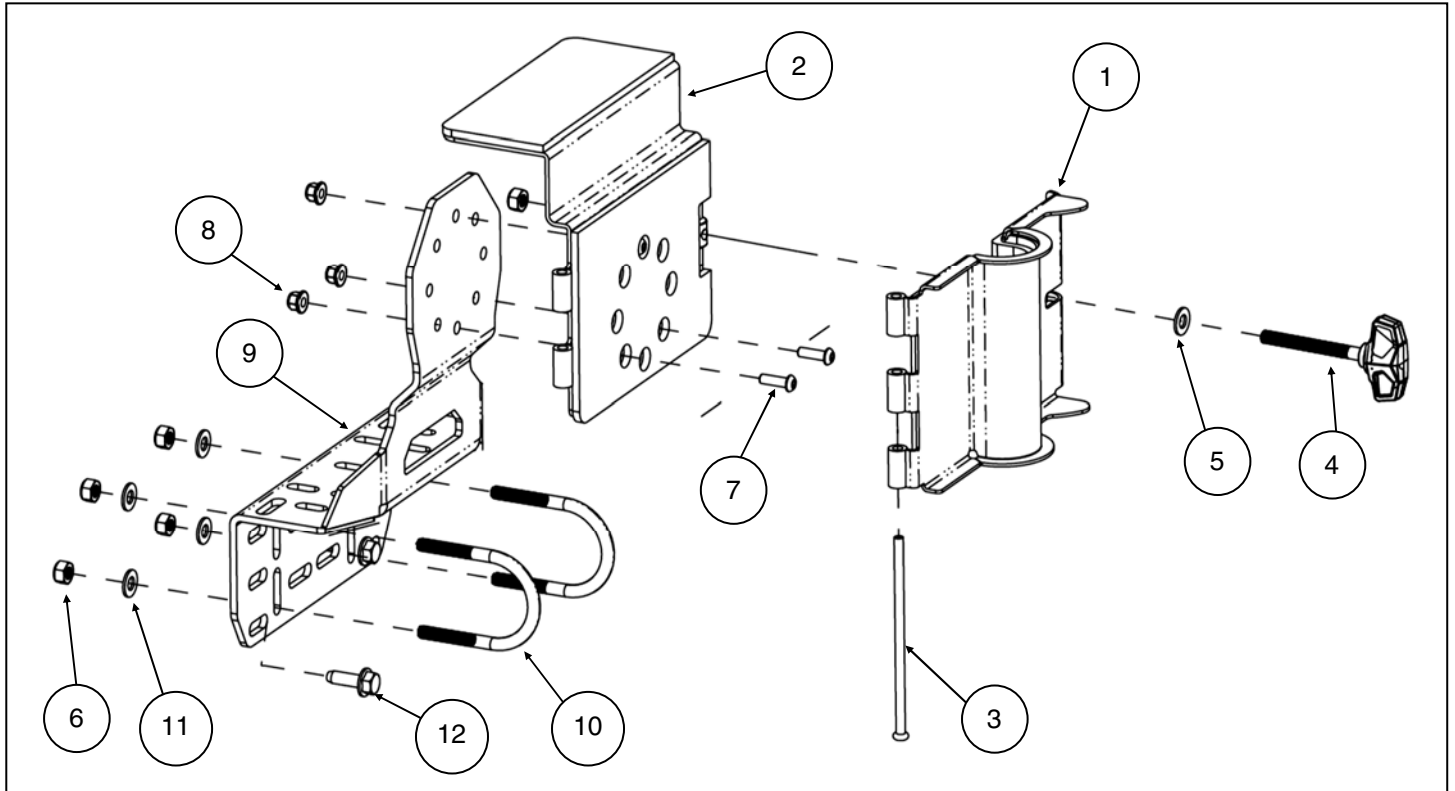


Product Instructions | Part No: 20048

**Application:** Verify accessory fitment at Kolpin.com.

**Before You Begin:** Read these instructions and check to be sure all parts and tools are accounted for. Please retain these installation instructions for future reference and parts ordering information.

**Note:** If any hardware is missing, do not return to the store. Call us to help, Toll Free 1-877-956-5746.



**This Kit includes:**

**Note:** If installing on *Polaris Ranger* vehicle, you can use the *tapping screws (included)* to secure *bed bracket (item #9)* to cargo bed or you can use *Polaris Lock & Ride UTV Plunger Anchor (item #98510, sold separately)*

Item	Qty	Part Description	Part Number
1	1	Clamping Door Assembly	-
2	1	Mount Base Assembly	-
3	1	Fixed Hinge Pin	-
4	1	Turn Knob Screw, Zinc Plated, M8-1.25 x 70mm LG	-
5	1	Flat Fender Washer, Zinc Plated, M8	-
6	5	Hex Locknut, Zinc Plated, M8-1.25	-
7	3	Button Screw, Zinc Plated, M6-1.0 x 20mm LG, Torx Drive	-
8	3	Hex Flange Locknut, Zinc Plated, M6-1.0	-
9	1	UTV Bed Bracket	-
10	2	U-Bolt, Zinc Plated, M8-1.25 x 76mm x 51mm	-
11	4	Flat Washer, Zinc Plated, M8	-
12	3	Tapping Screw, 5/16-18 x 1.0" LG	-
13	1	Instruction Guide (not shown)	-

## Tools Required:

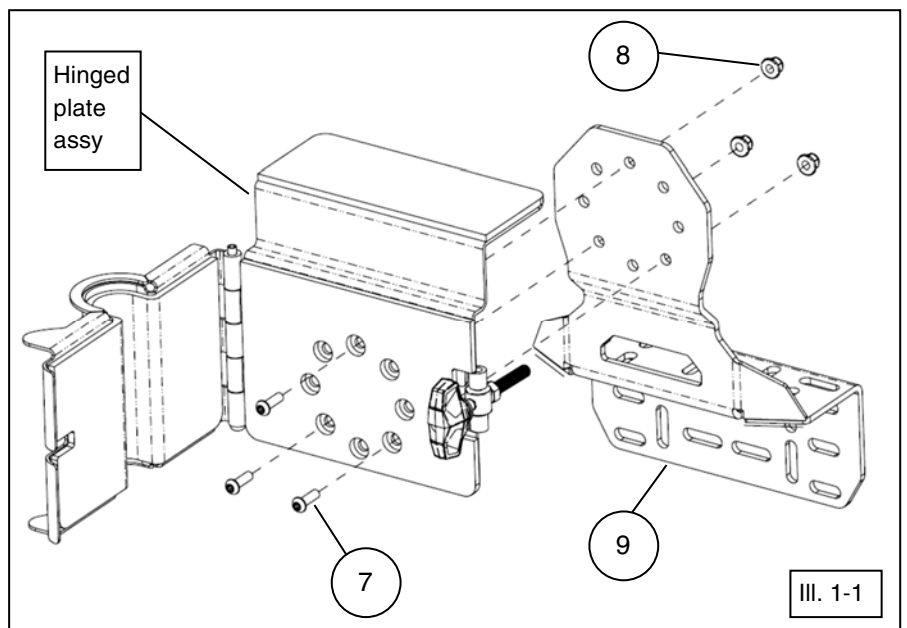
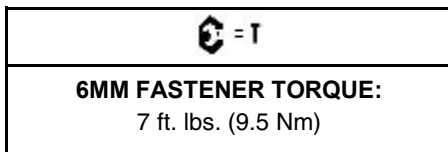
- Safety Glasses
- Torx Driver Bit Set
- Metric Socket Set
- Metric Wrench Set

**Assembly Time:** Approximately 12 minutes. The kit comes mostly assembled from factory, some assembly is required. Re-torque all bolts and nuts after the first 30 minutes of use.

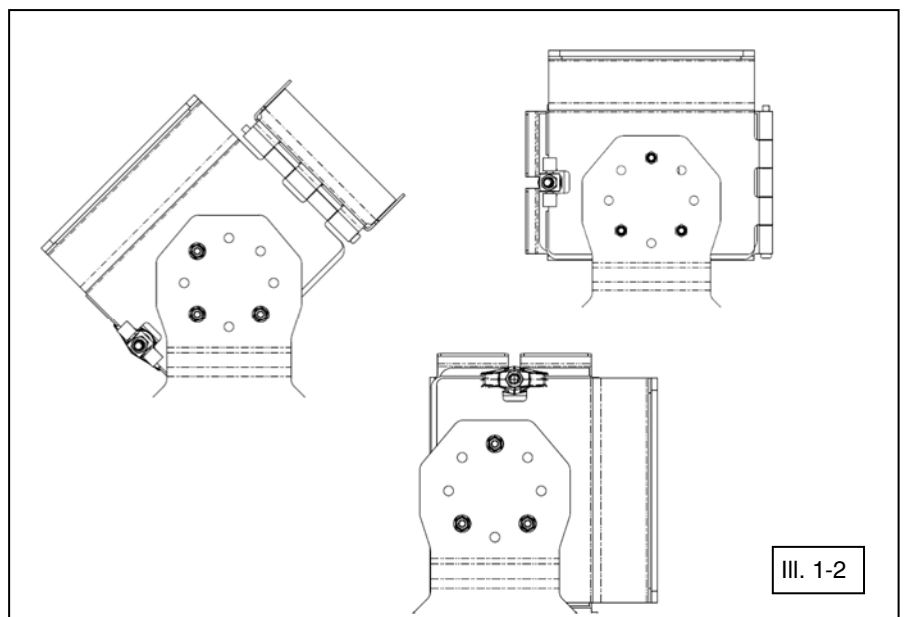
**Important:** Your Kolpin Off-Road Chainsaw Mount Kit is universally designed for your vehicle. Please read the installation instructions thoroughly before beginning. Installation is easier if the vehicle is clean and free of debris. For your safety, and to ensure a satisfactory installation, perform all installation steps correctly in the sequence shown. Additional time may be required to accommodate other installed accessories.

## INSTALLATION INSTRUCTIONS:

1. Attach the hinged plate assembly to the mounting bracket (item #9) using the three M6 button screws (item #7). Fasten using three M6 locknuts (item #8). Tighten to M6 specifications. (See illustration 1-1).

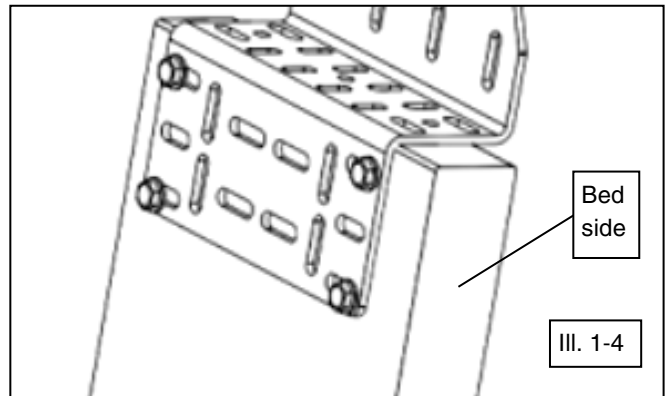
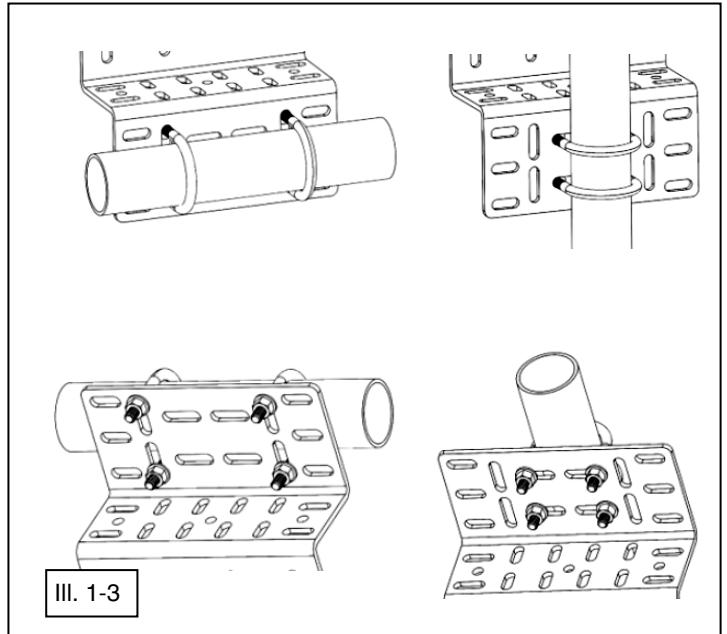


2. The hinged plate assembly can be set at 45 degree angle increments to the mount bracket to accommodate your UTV and Saw preferences. (See illustration 1-2).



**INSTALLATION INSTRUCTIONS (continued):**

- 3. The Kolpin Off-Road Chainsaw Mount can be installed in many mounting positions on your roll cage tubing or cargo bed. The included u-bolts will fit vertical or horizontal tubing of 1.0" - 2.0" diameters. Position and place the mounting bracket (item #9) onto the roll cage of your UTV as shown. Attach the bracket using the u-bolts (item #10), washers (item #11) and locknuts (item #6). The bracket can be mounted in many orientations depending on vehicle. Tighten the hardware. (See illustration 1-3).
- 4. The Chainsaw mount can be installed on most vertical cargo bed sides. Position mounting bracket on the bed side of your cargo box of your UTV. The tapping screws (item #12) can be used for plastic and metal cargo bed installations. It's recommended to drill a pilot hole when using the tapping screws. For pilot holes, use drill bit size diameter 0.272" (letter I). Scribe and mark holes in locations to drill for using tapping screws, then drill. (See illustration 1-4).
- 5. The Chainsaw Mount can be installed with the door opening facing outside the cargo bed or inside the cargo bed, as shown. (See illustrations 1-5 and 1-6).

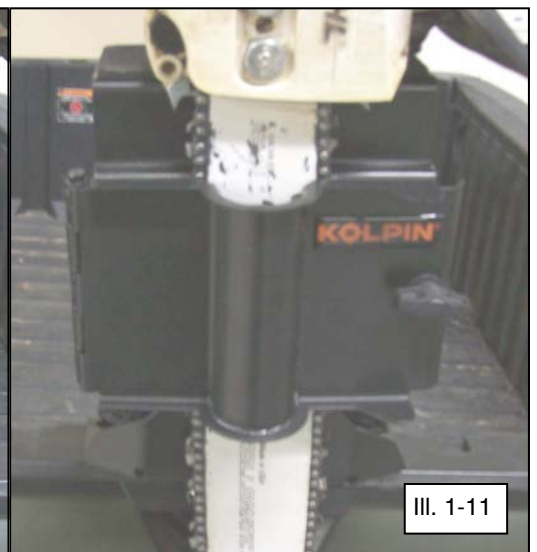
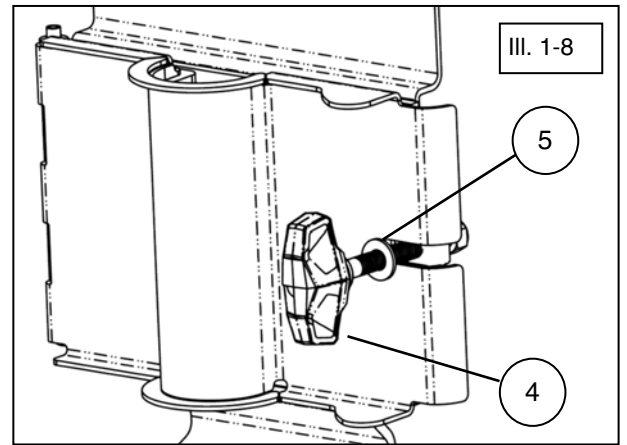


**OPERATIONAL USE INSTRUCTIONS:**

- 6. The Chainsaw mount is designed to carry your saw safely and securely while keeping your UTV bed open for other necessities. The mount is also designed to carry yard tools with a handle, example shovel, in the round groove opening on hinged door (item #1). (See illustration 1-7).
- 7. The hinged plate assembly has a hand turn knob (item #4) that provides clamping force to hold saw or shovel. To open, loosen the hand knob and pivot the hand knob to release the hinged door plate. (See illustration 1-8). **Note, the flanges on the front plate are designed to help keep branches from hitting and possibly opening the hand knob.**
- 8. Place the saw into the hinged door assembly and push the front plate closed. Swing the hand knob into the lock in the front plate and tighten securely. Tighten the turn knobs to secure the assembly to the bed. (See illustrations 1-9, 1-10 and 1-11). **Note, the large flat washer (item #5) provides bearing surface between the hand knob and hinged door.**
- 9. The saw bar can be clamped by the door on either end of the base or in the middle. More clamping area is found on each end. (See illustrations 1-9, 1-10 and 1-11).

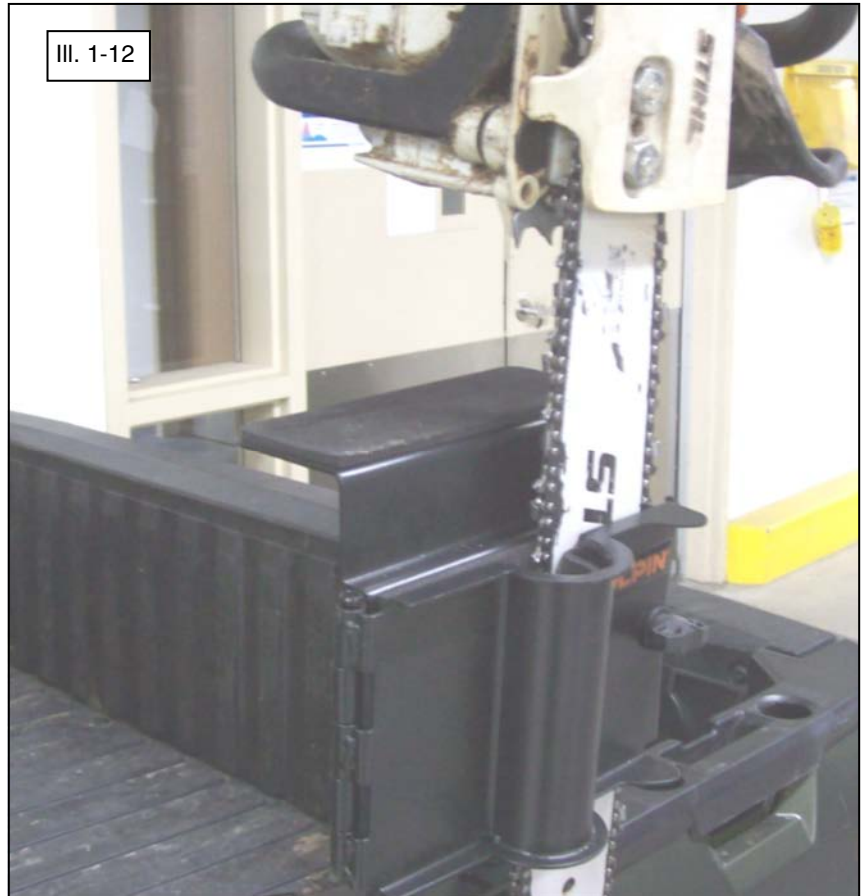


**CAUTION:** When loosening the clamping door turn knob, the door may swing open causing the saw to fall out. Make sure to hold onto saw when opening the saw clamping door.



## OPERATIONAL USE INSTRUCTIONS (continued):

10. You are able to mount your saw so that the power head is not sitting on the area provided as shown. It is best if your power head is sitting on the foam pad, but in some instances this may not work, and has proven no loss in performance of the saw mount. (See illustration 1-12).



### Use and Care Information:

- Check the accessory mounts frequently and retighten hardware if necessary.
- Replace this accessory with a new one if it is damaged.
- Never use petroleum solvents such as gasoline, thinner, benzene, acid or alkaline cleaners.

For additional assistance, please contact Kolpin customer service department at (877) 956-5746 or (763) 478-5800 or email [customerservice@kolpin.com](mailto:customerservice@kolpin.com)

### One Year Limited Warranty

For the period of one (1) year from the purchase date, Kolpin will replace for the original purchaser, free of charge, any part or parts found upon examination by Kolpin to be defective in material, workmanship, or both.

All transportation costs incurred submitting product to Kolpin for warranty consideration must be borne by the purchaser. If Kolpin determines that the product must be returned to the factory for credit, please call 1-877-956-5746 for a Return Merchandise Authorization (RMA) number and shipping instructions.

This warranty does not apply to parts that have been damaged by accident, alteration, abuse, improper maintenance, normal wear, or other causes beyond the manufacturer's control. In order to protect you and your ATV, certain parts of the accessory system and/or hardware are designed to fail when the equipment is over-stressed. Parts that are lost due to loosening and improper maintenance are not covered under warranty. This warranty does not cover removal or reinstallation labor fees of the plow system and related components.

Peripheral products such as engines, electric motors, and actuators may carry an original manufacturer's warranty. Most hardware is general in nature and is easily obtained locally. Be sure to replace with minimum metric class 8.8 specification.