



• Thank you for purchasing the our product. Before installing, please read the instruction carefully and keep it for future reference.

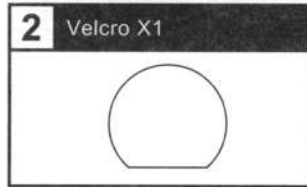
⚠ Attention!

- The lcd meter is apply for DC 12 V .
- For installation, please follow the steps described in manual. Any damage caused by wrong installation shall be imputed to the users.
- Don't break or modify the wire. To avoid the short circuit, please don't pull the wire when installing.
- Do not disassemble or change any parts excluding the manual description.
- The interior examination or maintenance should be executed by our professionals.

◎ MARK MEANING:

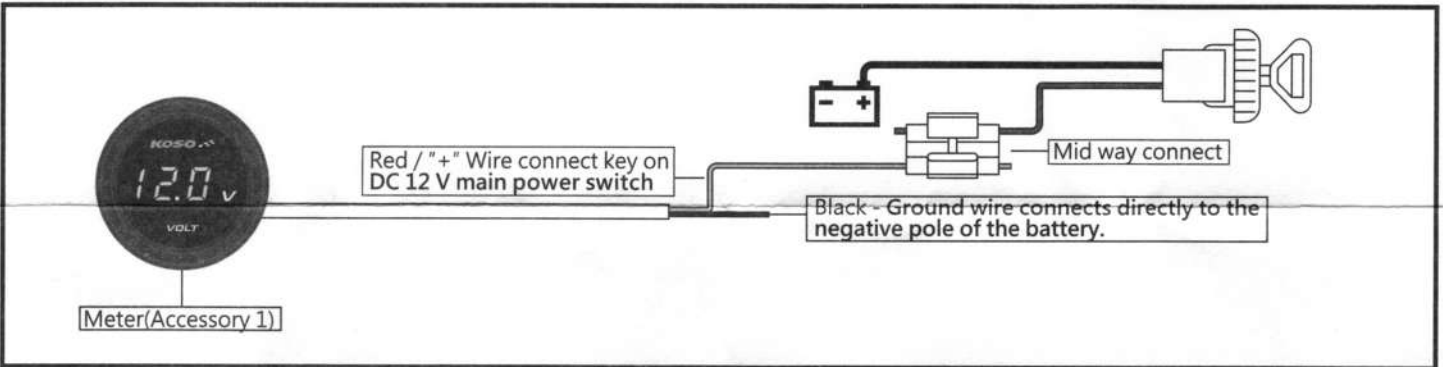
- NOTE** You could get the installation details from the information behind the mark.
- ⚠ Some processes must be followed to avoid the affection caused by wrong installation.
- ⚠ **WARNING!** Some processes must be followed to avoid damages to yourself or the public.
- ⚠ **CAUTION!** Some processes must be followed to avoid the damage to the vehicle.

1 Accessories

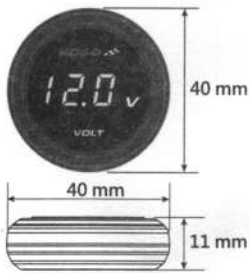


NOTE Please contact the local distributor if the items you open are not the same,with the above-listed one.

2 Wiring installation instructions



3 Installation of function



● Volt meter	Display range : DC 7.0 ~ 19.9 V Display unit : 0.1 V
○ Voltage warning	When the volyage is lower than 12 V,the meter will flash to warn you.
● Effective voltage	DC 12 V
● Effective temperature range	-10 ~ +60°C
● Meter standard	JIS D 0203 S2
● Meter size	Ø40 x 11 mm
● Meter weight	Around 24 g

NOTE Design and specifications are subject to change without notice !

4 Trouble shooting

The following situation do not indicate malfunction of the meter.Please check the following before taking it in for repair.

Trouble	Check item	Trouble	Check item
The meter doesn't work when the power is on.	● The power doesn't supply to the meter. → Please make sure the wiring is connected. The wiring and fuse are not broken. → The battery is broken or the battery is too old to supply enough power (DC 7 V) to make the meter work.	The meter shows wrong information.	● Please check the voltage of your battery, and make sure the voltage is over DC 7 V.

※ If the problem persists after reviewing the options above, please contact your local distributor.