



● Thank you for purchasing our product. Before installing/operating the product, read the instructions carefully and retain them for future reference.

⚠ Attention!

- For installation, follow the steps described. Any damage caused by wrong installation shall be imputed to the users.
- To avoid a short circuit from occurring do not pull or modify the wires during installation.
- Do not disassemble or change any parts. Opening and disassembling this unit will void any warranty.
- Maintenance and repairs should be executed by our professionals only.

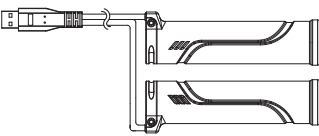
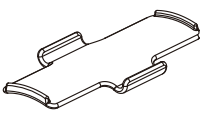
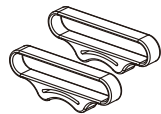
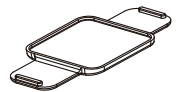

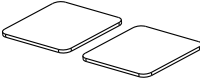


⦿ Symbol description:

NOTE

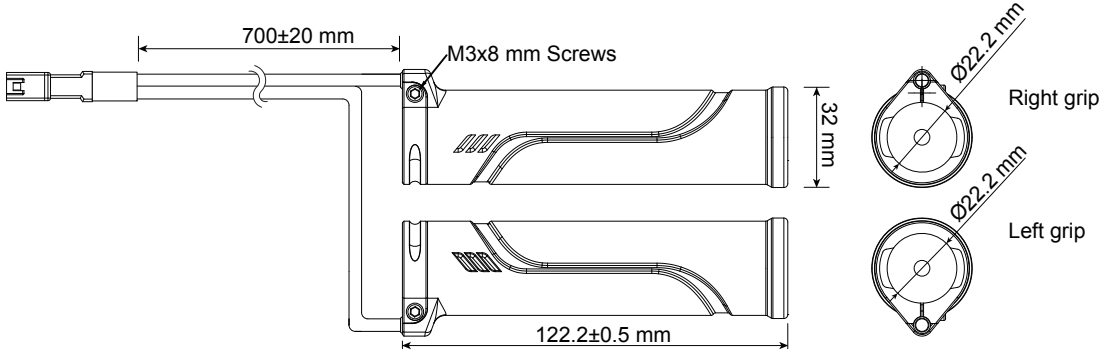
⚠ Some procedures must be followed to avoid damages to the product.

⚠ **WARNING!** Certain procedure must be followed to avoid damages to yourself, to the vehicle or others.

1 Accessory

<p>1 Bicycle heating grip X1</p> 	<p>2 Ring fixing piece X1</p> 	<p>3 Battery pack ring X2</p> 	<p>4 Fixing piece X1</p> 
<p>5 Fixing piece ring X2</p> 	<p>6 Foam tape X2</p> 	<p>7 Rubber ring X3 (Ø40/60/80)</p> 	<p>8 HI / LOW Switch Cable X1</p> 

2 Instruction of function

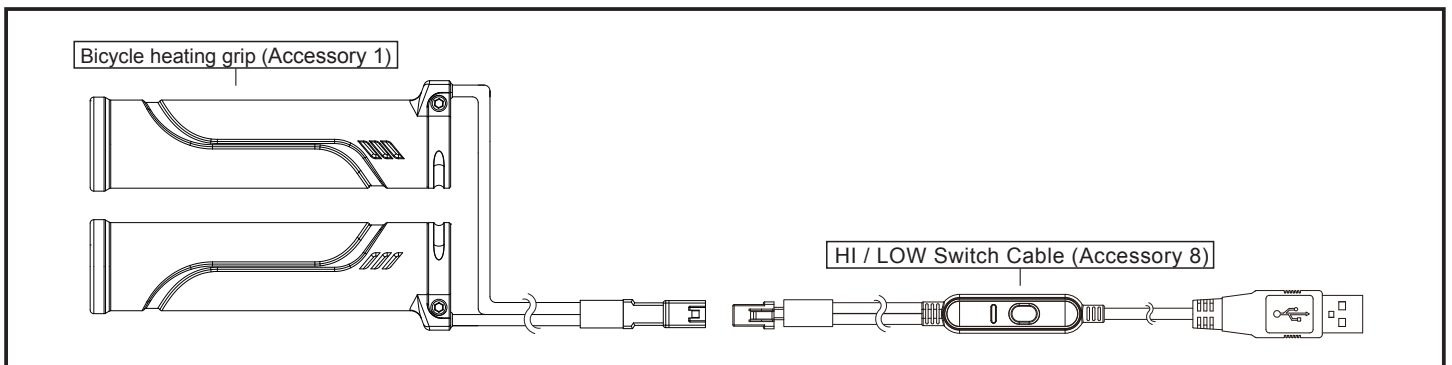


- Working Voltage Rated Voltage : DC 5 V
Consumed Power : 10W
- Portable charger specification It is recommended to use charger with output of DC 5V/2.1A or above
- Effective temperature range -10 ~ 60 °C

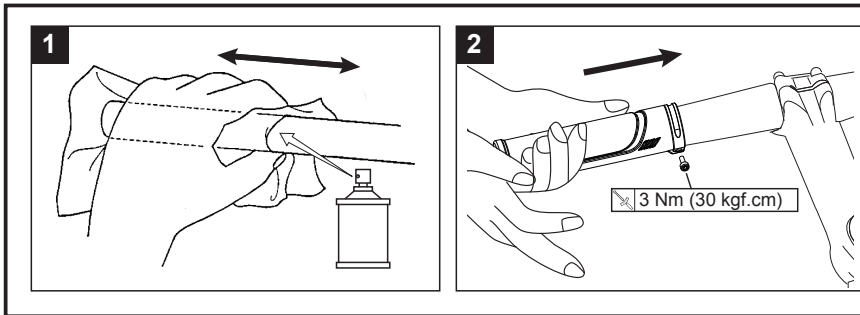
- Level of waterproof Water resistance
- Size Ø22.2 X 122.2 mm
- Weight About 126 g

NOTE Design and specifications are subject to change without notice.

3-1 Wiring installation instructions



3-2 Practical installation instruction



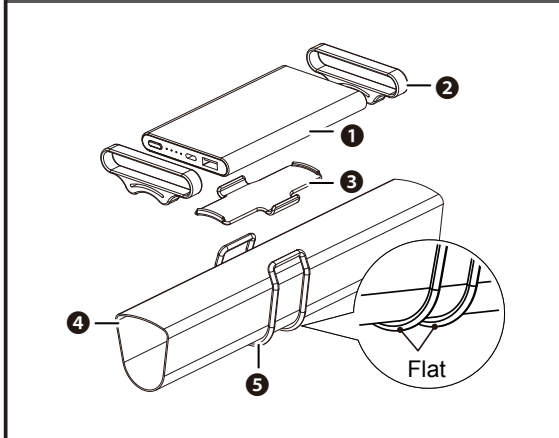
Follow the steps below during installation.

1. Please wipe clean the oil stain, moisture, and dust before installation.
2. Please use proper tools to affix the grip.


NOTE The installation tightness may differ according to the materials and appearances of the bikes handlebars. Looseness may affect the ride and cause dangers; please do not impose such usages.

3-3 Practical installation instruction

Installation instruction A



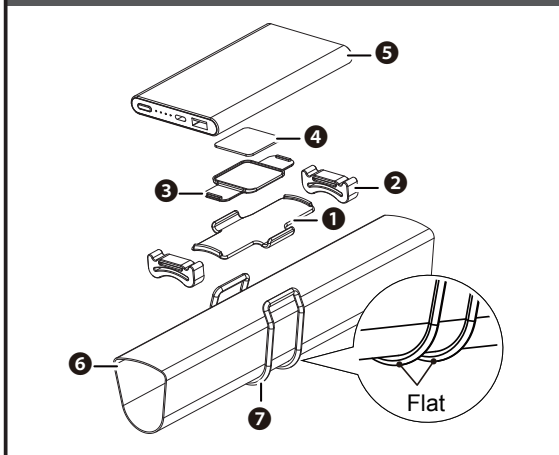
Follow the steps below during installation.

- 1 Battery pack
 - 2 Battery pack ring (Accessory 3)
 - 3 Ring fixing piece (Accessory 2)
 - 4 Frame
 - 5 Rubber ring (Accessory 7)
- 


NOTE Please select the rubber ring (Accessory 7) with the appropriate size for installation.

⚠ Please hook the rubber ring (Accessory 7) to the lower frame of the vehicle to avoid sliding.

Installation instruction B



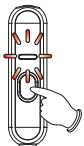
Follow the steps below during installation.

- 1 Ring fixing piece (Accessory 2)
 - 2 Fixing piece ring (Accessory 5)
 - 3 Fixing piece (Accessory 4)
 - 4 Foam tape (Accessory 6)
 - 5 Battery pack
 - 6 Frame
 - 7 Rubber ring (Accessory 7)
- 

NOTE Please select the rubber ring (Accessory 7) with the appropriate size for installation.


⚠ Please hook the rubber ring (Accessory 7) to the lower frame of the vehicle to avoid sliding.

4 Heating Function Instruction

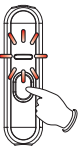


- Key-On
- Short Press: Enter Level 2

NOTE When the button is not pressed, the grips will be in off mode. They will not heat and there will be no light at this time.

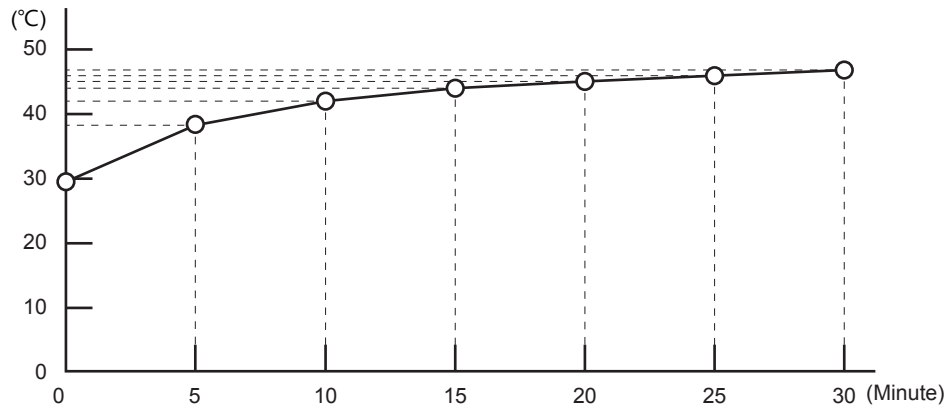


- Level 2:
Heating Output - About 10W
Color of Light - Red
- Short Press: Enter Level 1



- Level 1:
Heating Output - About 5W
Color of Light - Yellow
- Short Press: Off

5 Heated grip testing data



NOTE The testing environment is under 30 Degrees Celsius, with working voltage of 5 V.

6 Trouble Shooting

The following situations do not necessarily indicate malfunction of the product. Please check the following points, before contacting us.

Trouble	Check item
LED indication does not activate.	<ul style="list-style-type: none"> ● JST connector disconnected. → Please check if JST connector is broken or disconnected.
No evident temperature.	<ul style="list-style-type: none"> ● May be due to no power supply. → Please ensure whether the wirings are duly connected. → Check whether the specification of the portable charger is DC 5V/2.1A or above. → Check the wires for the product and the gadget.
One side overheated while the other side has no temperature.	<ul style="list-style-type: none"> ● May be due to product damages. → Please return to the distributor.
Not operating after pressing the button.	<ul style="list-style-type: none"> ● Maybe due to no power supply. → Please check the cable to ensure that it is properly connected. → Please check if the power pack is in standby mode.

※If the problems still can't be solved, please contact our technical department for assistance.