



● Thank you for purchasing our product. Before installing/operating the product, please read the instructions carefully and retain them for future reference.

⚠ Attention!

- For installation, please follow the steps described. Any damage caused by wrong installation shall be imputed to the users.
- To avoid a short circuit from occurring do not pull or modify the wires during installation.
- Do not disassemble or change any parts. Opening and disassembling this unit will void any warranty.
- Maintenance and repairs should be executed by our professionals only.

⊙ Symbol description:

NOTE

⚠ Some procedures must be followed to avoid damages to the instrument.

⚠ **WARNING!** Certain procedures must be followed to avoid damages to yourself, to the vehicle or others.

1 Accessories

1 Single hole USB charger (TYPE C) X1

2 Zip tie X1

3 Velcro X1

4 Bracket X1

5 Clamp X3
7/8" - 1" - 1 1/8"

6 M3 Nut X1

7 M3x25xP0.5 mm Screw X1

8 M2.5xP0.45x1.85 mm Nut X1

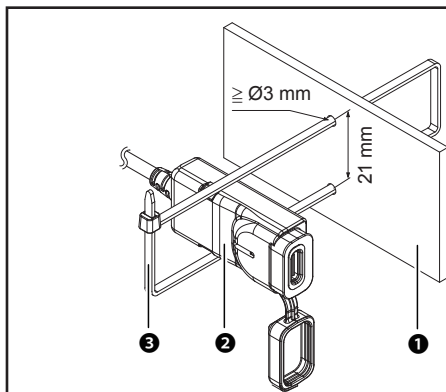
9 M2.5x10xP0.45 mm Screw X1

10 Mid-way connector X1

2-1 Installation instruction

KOSO Single hole USB charger (TYPE C) can be installed in three methods. Please find the method suitable for your vehicle and follow the instruction. Follow the steps below during installation.

NOTE Total harness length is 1000mm (1m), so please be careful with hole positioning to prevent a shortage of the harness.

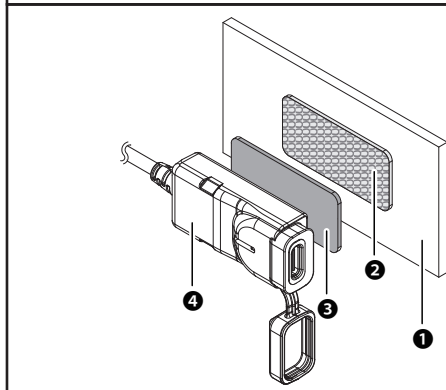


Installation method A

- 1 Use a proper tool to drill a hole in the correct position of the body case.

NOTE When you drill the hole, be aware the diameter of the hole cannot be smaller than 3mm. If the diameter is smaller than 3 mm, then zip tie might not fit through.

- 2 Single hole USB charger (TYPE C) (Accessory 1)
- 3 Zip tie (Accessory 2)



Installation method B

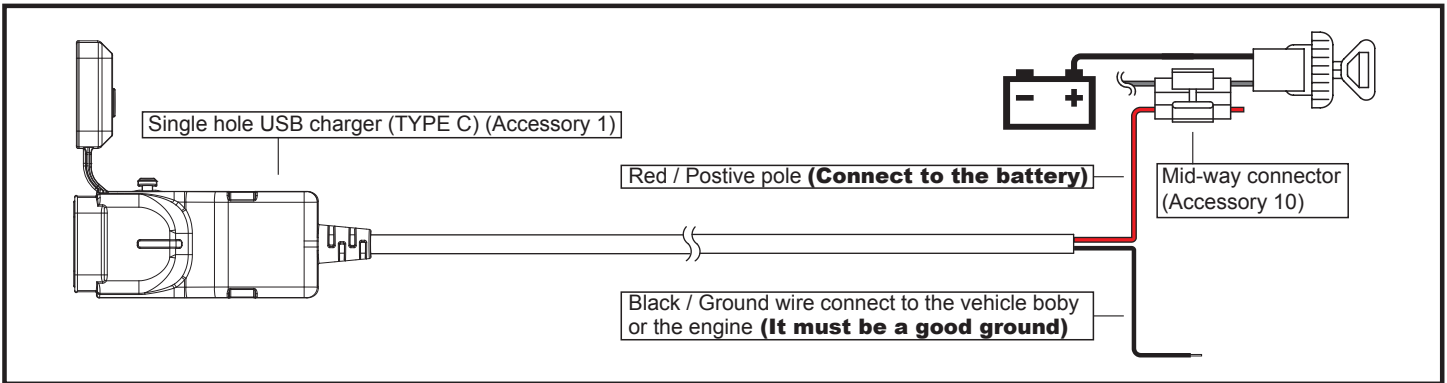
- 1 Vehicle case position
- 2 Velcro - Female (Accessory 3)
- 3 Velcro - Male (Accessory 3)
- 4 Single port USB charger (TYPE C) (Accessory 1)

NOTE Clean the surface (including grease, water, and dust) where you want to install the velcro before applying it. Also, be sure to evenly apply pressure to the velcro to insure that it has made full contact with the surface to enhance the adhesiveness.

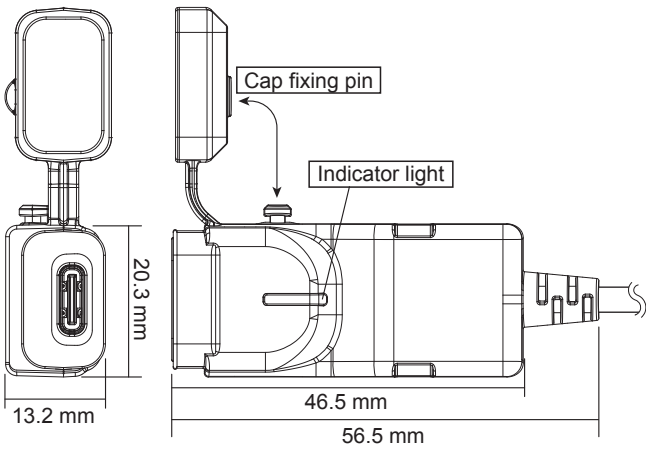
Installation method C

- ① Single port USB charger (TYPE C) (Accessory 1)
- ② Bracket (Accessory 4)
- ③ Clamp (Accessory 5)
- ④ M3 Nut (Accessory 6)
- ⑤ M3x25xP0.5 mm Screw (Accessory 7) 0.2Nm=(2kgf.cm)
- ⑥ M2.5xP0.45x1.85 mm Nut (Accessory 8)
- ⑦ M2.5x10xP0.45 mm Screw (Accessory 9) 0.2Nm=(2kgf.cm)

2-2 Wiring installation instructions



3 Installation of function



●USB Working Voltage	Voltage Range : DC 10 ~ 16 V Output specifications : DC 5V/3A DC 9V/2A (When input power is over 10.5V) 12V/1.5A (When input power is over 13.5V) Charging protocols : PD2.0/3.0 · PPS · APPLE 2.4A · QC4+ · AFC · FCP · SCP · PE2.0/1.1
●Indicator (Red light)	The indicator light will stay on when the input voltage is over 12.0V and flash when the power is lower than 11.5V. Stop charging when the indicator light flashes to avoid damaging your battery.
●Effective temperature range	-10 ~ 60 °C
●IP Level	IP54
●Size	56.5 X 13.2 X 20.3 mm
●Weight	About 25 g

⚠Warning: During vehicle washing, DO NOT spray water or soap directly to the USB charger; this could damage the charger and fail to charge the device. When raining, close the cover and DO NOT use the device.

⚠ When the USB charger is not in use, close the cover to prevent dust from entering the USB hub and causing damage.

NOTE Design and specifications are subject to change without notice.

4 Trouble shooting

The following situations do not indicate malfunction of the charger. Check the following points, before contacting us.

Trouble	Check item
Not charging or Indicator light not functioning.	<ul style="list-style-type: none"> ●There might be no power supplied. <ul style="list-style-type: none"> →Make sure the wires are connected. →Make sure the positive/negative poles are properly connected. →Battery malfunction or battery voltage lower than 10 V. →Check the wires of product and device.

※ If the problems still can't be solved, please contact our technical department.