



● Thank you for purchasing our product. Before installing/operating this product, please read the instructions thoroughly and retain them for future reference.

⚠ Attention!

1. For installation, please follow the steps described. Any damage caused by wrong installation shall be imputed to the users.
2. Do not disassemble or change any parts.

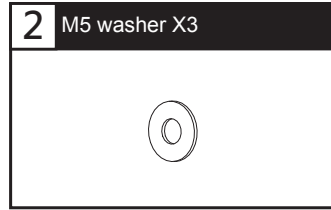
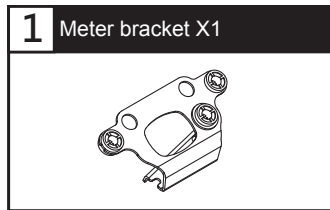
◎ **SYMBOL DESCRIPTION:**

NOTE The symbols indicate additional instructions.

⚠ Some procedures must be followed to avoid damages to the part.

WARNING! Certain procedure must be followed to avoid damages to yourself, to the vehicle or others.

1 Accessories



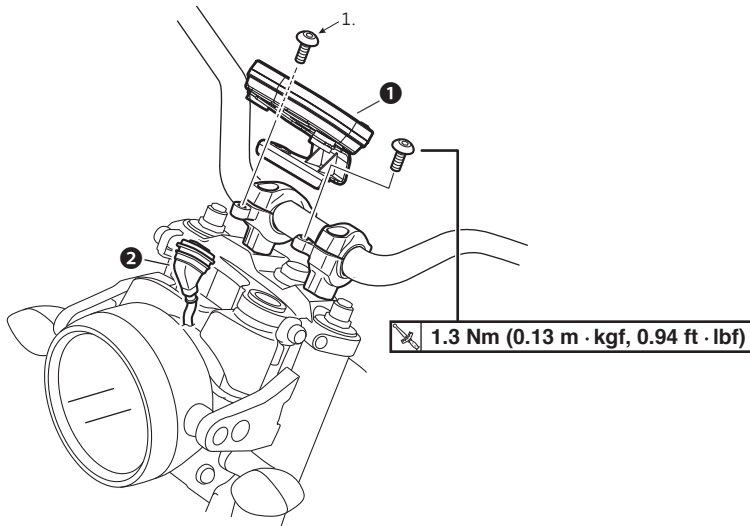
2-1 Vehicle installation instruction(1)

Please disassemble in the following order

- ❶ Original meter bracket
 1. Screws X3 (OEM screws)
 2. Screws X2 (OEM screws)
- ❷ Original meter wire

NOTE Please refer to the sequence shown in the figure for disassembly

2-2 Vehicle installation instruction(2)

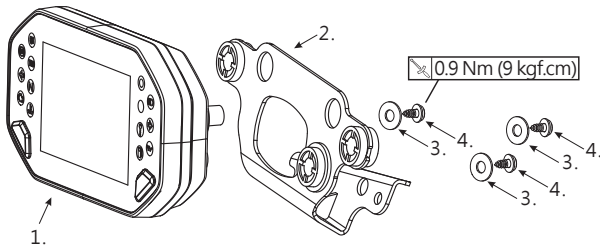


Please install in the following order

- 1 LCD Meter (With Bracket)
 - 1.Screws X2 (OEM screws)
- 2 Original Meter wire

⚠ Before installing, please assemble according to the drawing.
(Refer to 2-3 installation instructions for fixing the meter to the bracket).

2-3 Bracket Installation instructions



Follow the steps below during installation.

1. LCD Meter
2. Meter bracket (Accessory 1)
3. M5 washer X3 (Accessory 2)
4. M5 screw X3 (Accessory 3) 0.9 Nm (9 kgf.cm)

2-4 Wiring Installation Instructions

