



● Thank you for purchasing our product. Before installing/operating this product, please read the instructions thoroughly and retain them for future reference.

**⚠ Attention!**

1. For installation, please follow the steps described. Any damage caused by wrong installation shall be imputed to the users.
2. Do not disassemble or change any parts.

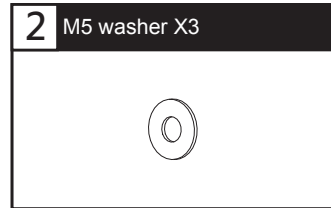
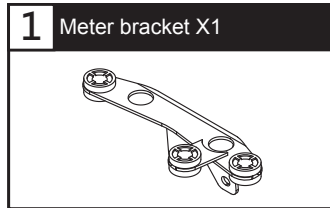
◎ **SYMBOL DESCRIPTION:**

**NOTE** The symbols indicate additional instructions.

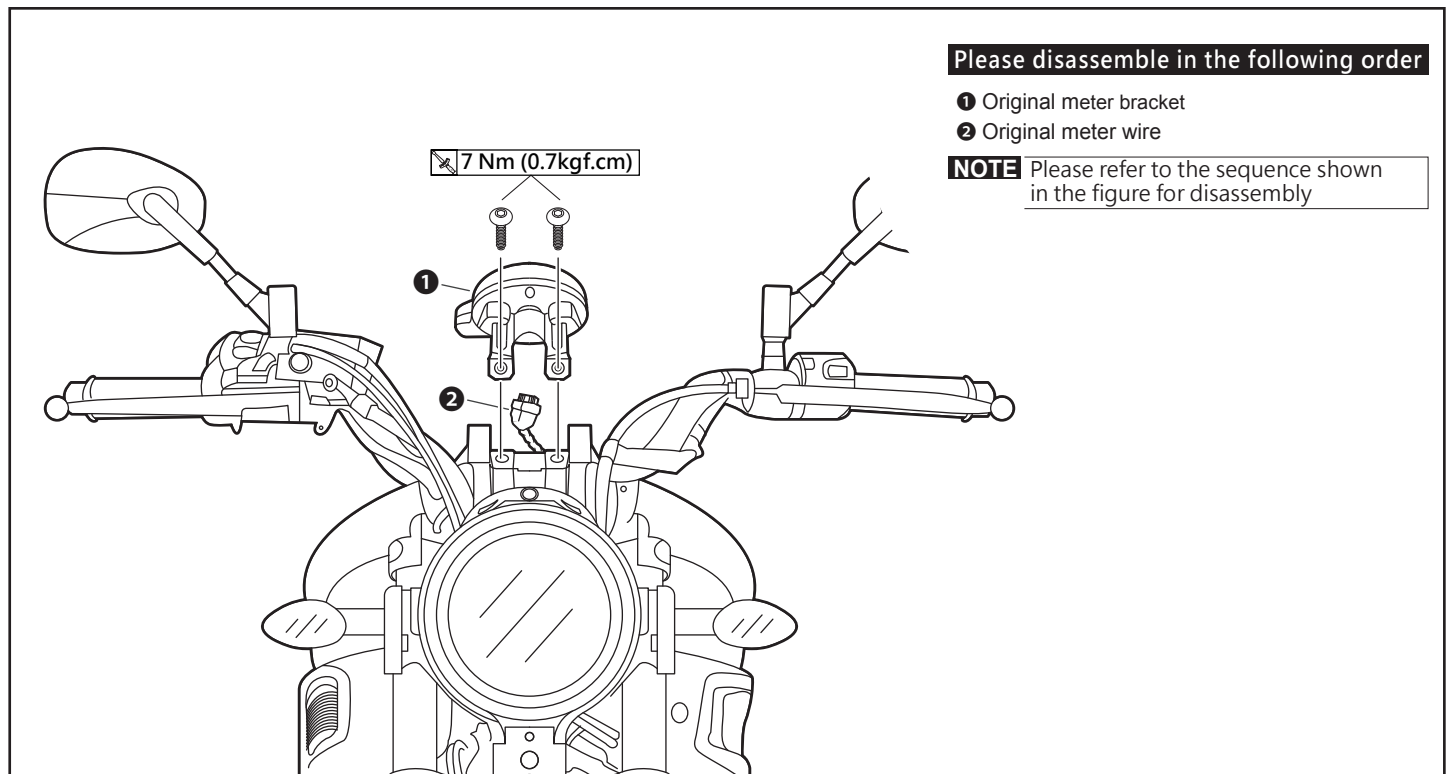
⚠ Some procedures must be followed to avoid damages to the part.

**WARNING!** Certain procedure must be followed to avoid damages to yourself, to the vehicle or others.

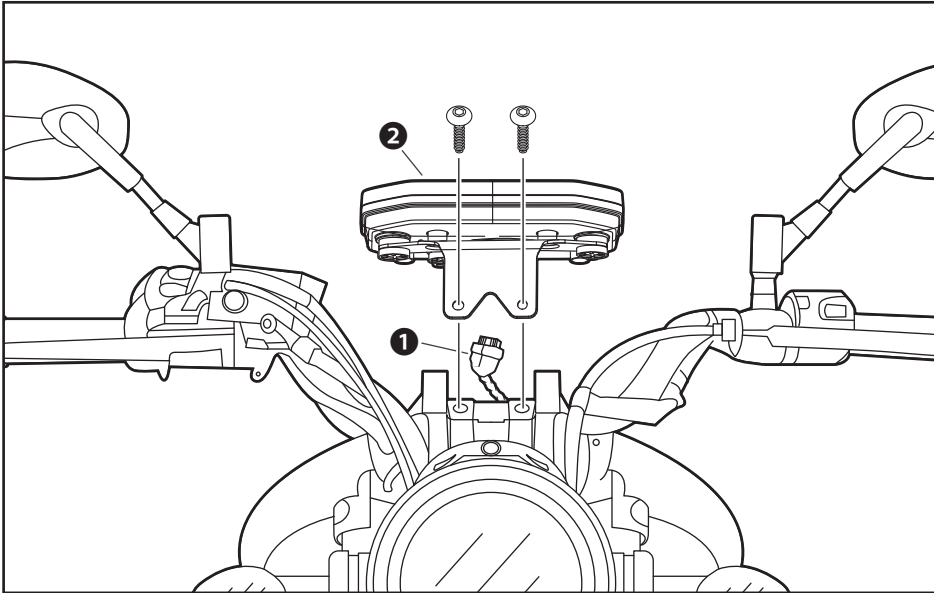
**1 Accessories**



**2-1 Vehicle installation instruction(1)**



## 2-2 Vehicle installation instruction(2)

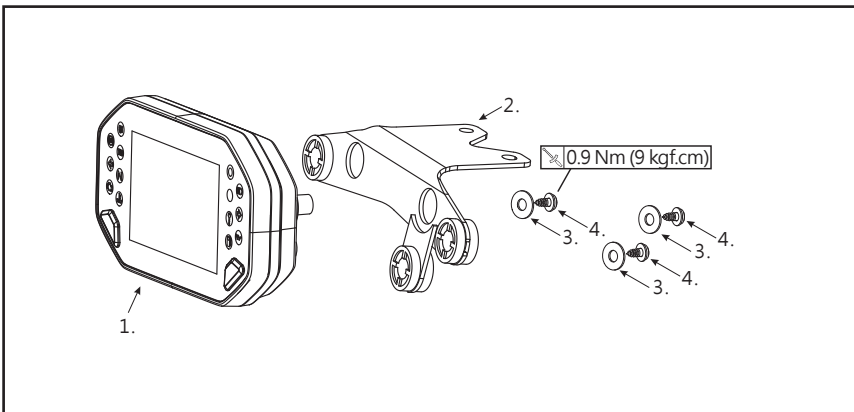


### Please install in the following order

- 1 Original Meter wire
- 2 LCD Meter (With Bracket)  
1.Screw X2(OEM screws)

⚠ Before installing, please assemble according to the drawing. (Refer to 2-3 installation instructions for fixing the meter to the bracket).

## 2-3 Bracket Installation instructions



### Follow the steps below during installation.

1. LCD Meter
2. Meter bracket (Accessory 1)
3. M5 washer X3 (Accessory 2)
4. M5 screw X3 (Accessory 3)  $\times 0.9 \text{ Nm (9 kgf.cm)}$

## 2-4 Wiring Installation Instructions

