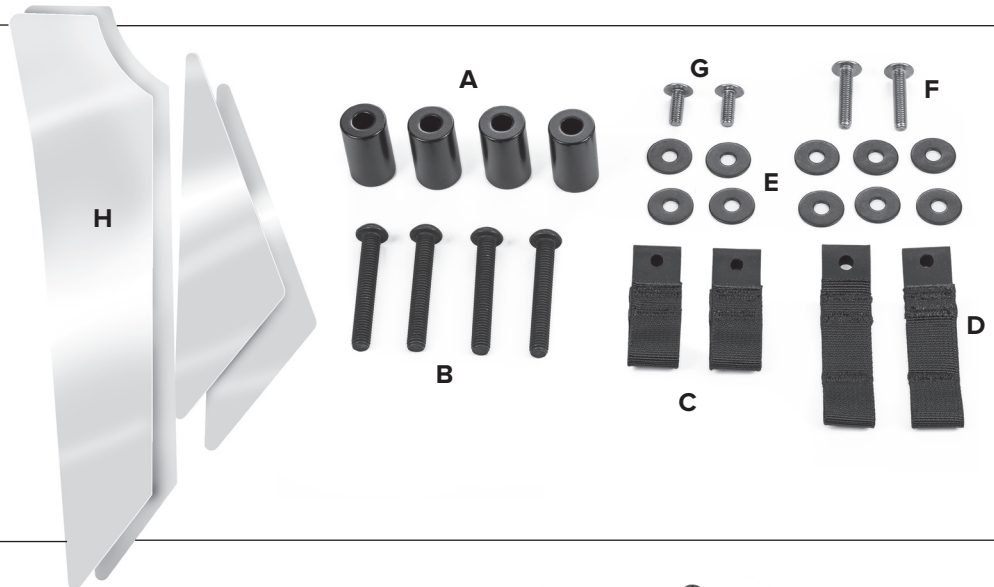


FITTING KIT

- A** Alloy spacers x 4
- B** M8 x 55mm bolts x 4
- C** 50mm bolt-on loops x 2
- D** 80mm bolt-on loops x 2
- E** M6 20mm washers x 10
- F** M6 x 30mm torx bolts x 2
- G** M6 x 16mm torx bolts x 2
- H** Clear protective film x 4

TOOLS REQUIRED

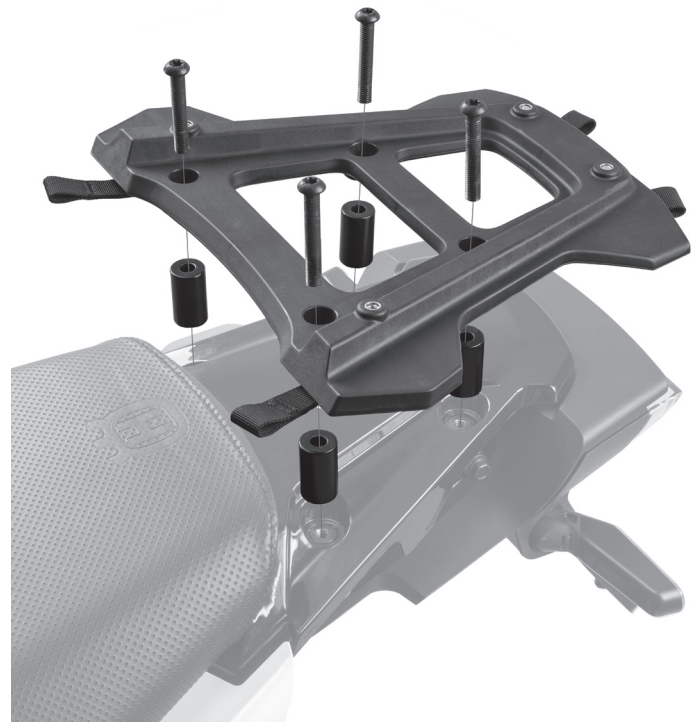
- Torx driver T-40
- Torx driver T-15
- Thread Lock



Before you can fit the OS-BASE to the bike you will need to make some minor adjustments to the bike hardware.

Remove the 4 bolts holding the Norden baggage carrier and passenger grips. Detach the passenger grips and replace with the 4 x alloy spacers and 55mm M8 bolts included. This will raise the height of the baggage carrier to improve access for fitting the OS-BASE straps.

If you wish to mount a centre pack, see the back page for details on fitting the Norden bolt-on loops before replacing the Norden baggage carrier.



PROTECTIVE FILM

Apply the pre-cut panel protective film to the left and right rear side panels as illustrated here.

To achieve good adhesion, clean the panels with a degreaser or methylated spirits before application. Spray a solution of water and washing-up liquid onto the area to be fitted. Peel off the backing sheet avoiding touching the adhesive when dry, as this will leave a fingerprint in the film. Lay the film onto the panel and slide into position.

Once you are happy with the positioning use a squeegee to remove any fluid and air bubbles, this will secure the film into place. Finally, use a hair dryer or similar to warm up film to ensure adhesion especially around edges.



FIT A PAIR OF OS-ADV PACKS TO THE OS-BASE BEFORE INSTALLING THE COMPLETE SET-UP ON THE BIKE.

Choose a pair of OS-PACKS to meet your carrying capacity requirements:

- 2 x OS-6 = 12 litres
- 2 x OS-12 = 24 litres
- 2 x OS-18 = 36 litres

The modular system allows packs to be changed to a different size at a later date. There are also options to add an additional centre pack or mount one of the OS-PACKS as a stand alone pack for single day rides without the OS-BASE. (see back page for more details)



To fit an OS-PACK start by threading the roll-top quick release strap through the top loop. (see fig A)

Push the top 2 loops on the rear of the bag through the top 2 slots on the OS-BASE and hook-on the compression straps.

Push the bottom 2 loops on the rear of the bag through the corresponding 2 slots on the OS-BASE depending which size pack and hook-on the compression straps.

Then repeat on the other side. Once the OS-PACKS are connected, you have your SET-UP ready to fit onto the bike.



fig A



EXAMPLE OS-6 FITTING

MOUNTING OS-BASE SET-UP ON THE BIKE



1 Lay the OS-BASE over the motorcycle seat, forward from the final fitting position. Pass the front hook strap through the pillion foot peg mount and attach the hook to the web loop so the hook is pointing down. Repeat on the other side.



2 Set the top straps to the longest length and slide the elastic loop near to the buckle. Pass a top strap down through the opening on the baggage carrier and around the rear alloy spacer and hook to the web loop, with the hook pointing down. Repeat on the other side.



3 Standing at the rear of the bike hold both loose straps ends and pull until the OS-BASE is firmly mounted on the seat. A strong tap downwards on each OS-PACK will help the OS-BASE slide further onto the seat.



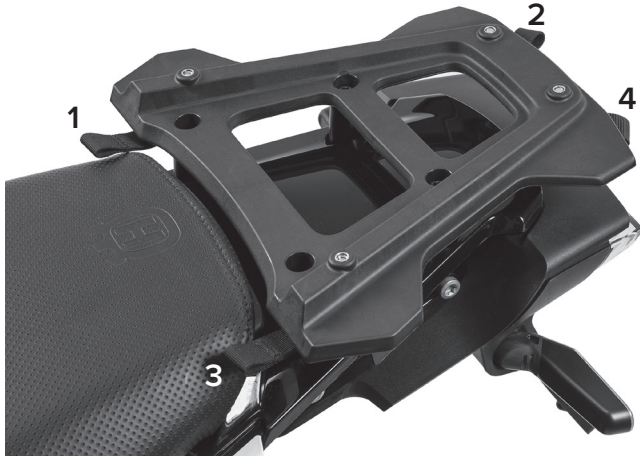
4 Once the OS-BASE is tight on the seat, fold over the loose strap ends and place them in the elastic loops.

You are ready to go.

To remove, simply loosen the straps and unhook, the complete set-up is off the bike in seconds.

MOUNTING A CENTRE PACK

A unique feature of the OS-BASE system is it allows you to mount one of your OS-PACKS as a single tail pack for shorter trips when the 2 pack system is not required. The Norden Bolt-on Loops included mount to the Norden baggage carrier and provide 4 hook-on points for a single OS-PACK or US-Drypack.



Used in conjunction with the additional loops on the OS-BASE they provide various mounting locations for a 3 or more bag set-up.



FITTING THE BOLT-ON LOOPS

Remove the Norden baggage carrier and turn over. Insert an M8 washer into each of the 4 bolt-on loops. Place another washer on either side of the 80mm loops and mount them to the 2 existing threaded inserts at the front of the carrier with the 30mm torx bolts. Add a single washer to the top of the 2 x 50mm bolt-on loops and mount them on the rear of the carrier using the 16mm torx bolts. Replace the carrier on the bike.



BODYWORK DAMAGE DISCLAIMER

Even though most of the OS-BASE mounts on the seat, the sides can rub against the plastic side panels of the bike, resulting in minor abrasion. This can be further exaggerated if mud and dust get in between the OS-BASE and the plastics. We have included pre-cut adhesive film with this kit to mitigate this issue as much as possible.

It is the owner's responsibility to ensure the OS-BASE is attached in such a way that it does not damage or put at risk the owner or the property of the owner. Do not exceed the UK legal speed limit. This product has only been tested for up to UK road legal speeds.

KRIEGA.COM

KOSBA-H-FIT-1

Kriega®