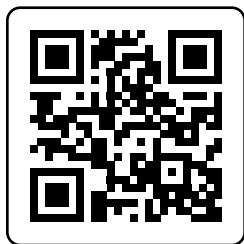


HUKTM

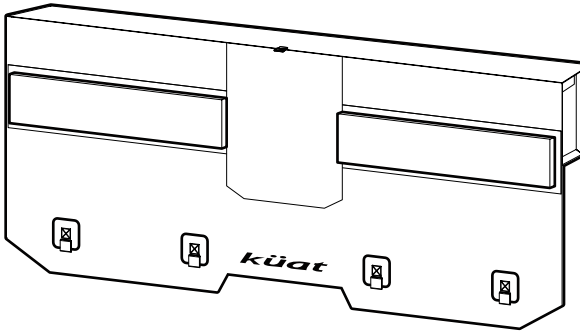
TAILGATE PAD

INSTALLATION



ASSEMBLY VIDEO

Included



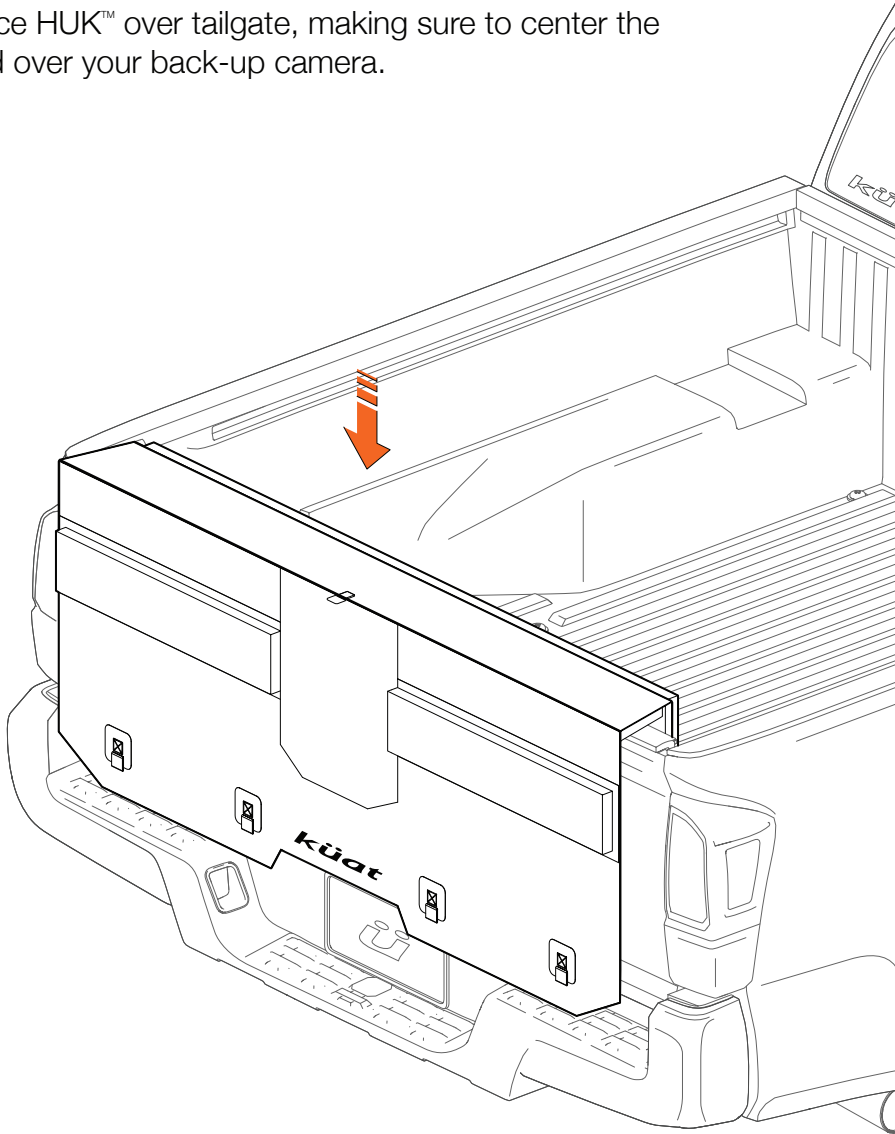
(1) HUK™

1 This guide illustrates installation and loading instructions using the HUK™ MidSize. The process for installing and loading bikes on other HUK™ sizes is identical.

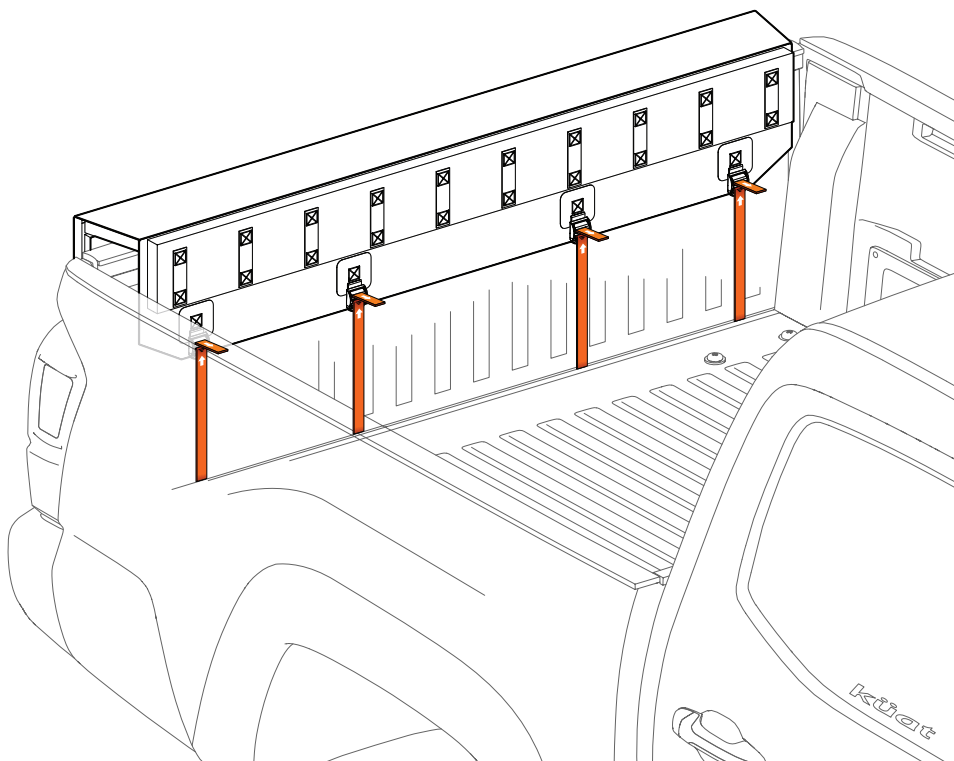
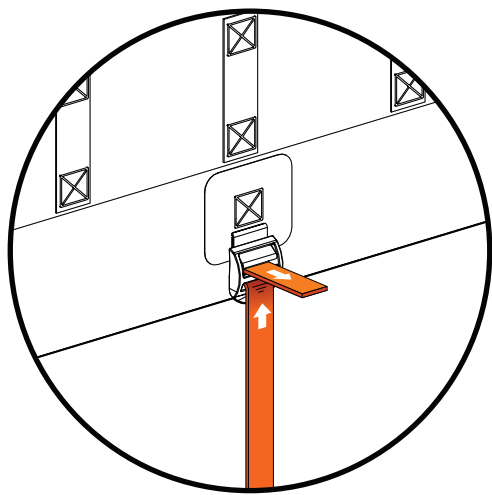
2 Periodically remove the HUK™ and clean the underside of pad, as well as the tailgate, to remove any abrasive dirt or grime that may have collected between pad and tailgate.

Installation

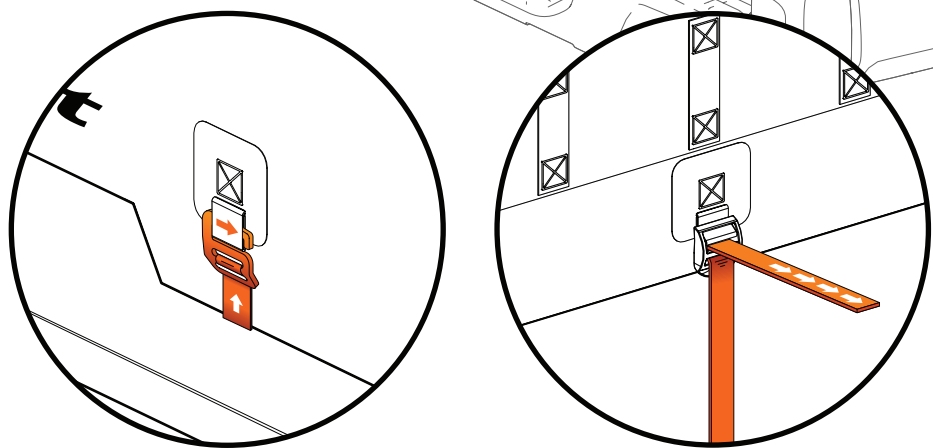
- Place HUK™ over tailgate, making sure to center the pad over your back-up camera.



- 2 Thread 2" inches of G-Hook strap through each rear buckle.



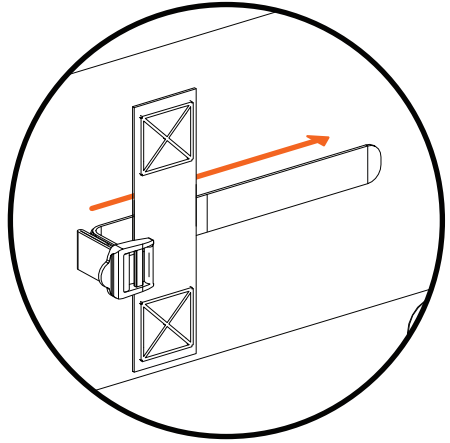
- 3 With tailgate ajar, drop each G-Hook strap through and secure each in webbing loops.



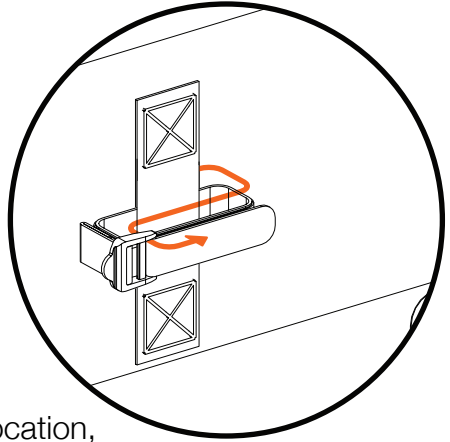
- 4 With G-Hooks secured, fully tighten each rear strap buckle.

Loading Bikes

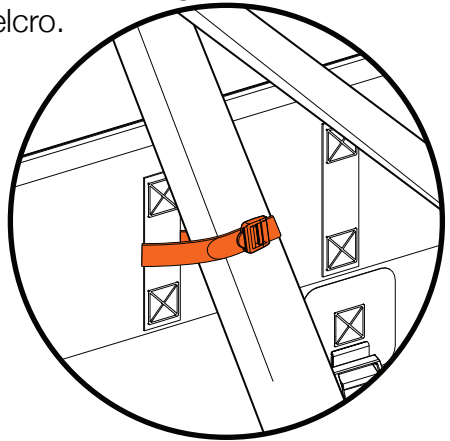
- 1 Thread bike strap through webbing in the desired loading location.



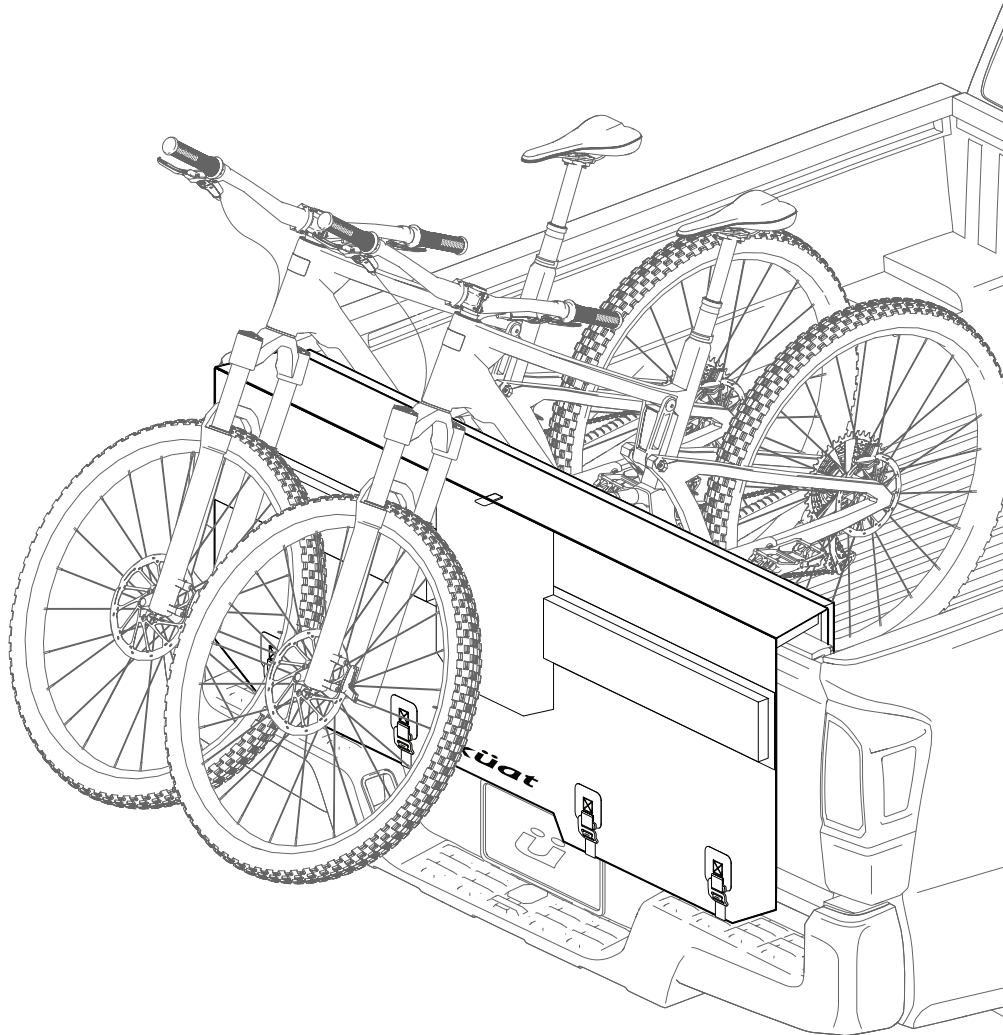
- 2 Loop strap through buckle to secure.



- 3 When loading a bike in this location, loop strap over downtube and back through buckle, securing strap into velcro.

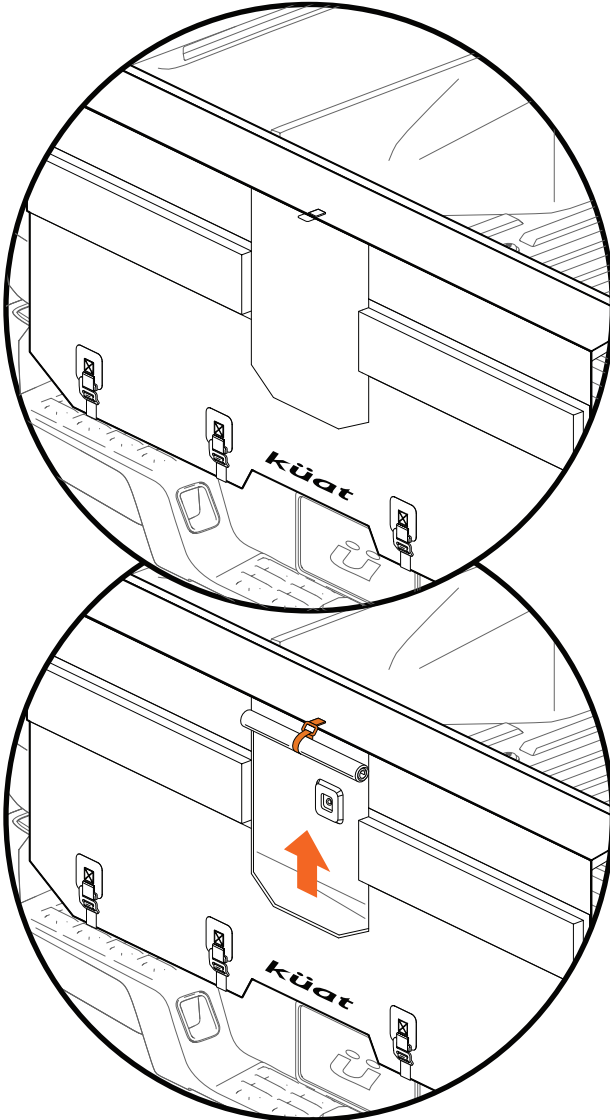


- 4 Angle handlebars to gain additional clearance for additional bikes.



Back-Up Camera Window

- 1 Disconnect camera window from the velcro and roll tightly up toward the top of your tailgate. Once in desired position, secure with strap and buckle.



Küat® Rack Warnings

HUK™

WARNINGS

- Follow instructions for proper assembly, installation and use.
- Check tightness of all straps periodically.
- Do not take through automatic car wash.
- Drive responsibly.

If you have questions or problems, please contact Küat directly by calling toll free 1(877)822-KUAT, or by email: info@kuat.com

ADVERTENCIAS

- Siga las instrucciones para un montaje, instalación y uso adecuados.
- Verifique el ajuste de todas las correas periódicamente.
- No pase por lavado automático de autos.
- Conduzca con responsabilidad.

AVERTISSEMENTS

- Suivez les instructions pour un assemblage, une installation et une utilisation appropriés.
- Vérifiez périodiquement le serrage de toutes les sangles.
- Ne passez pas dans un lave-auto automatique.
- Conduisez de façon responsable.

LIMITED WARRANTY

We stand behind our products, and our customer service reps are waiting to help you out if you have any problems with your product. Our limited warranty covers your purchase for three years. You can review our full warranty at our website or call customer service at the number below if you have questions or need a repair, replacement, or refund

Questions or comments?

Drop us an email or call us directly!

kuat.com | info@kuat.com | **877.822.5828**

kuat[®]

1.877.822.5828

info@kuat.com

kuat.com