

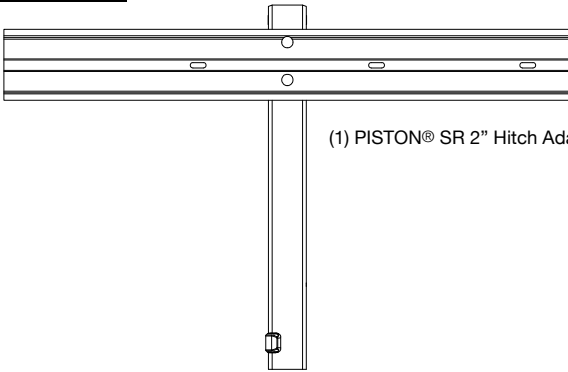
PISTON[®] SR

2" HITCH ADAPTER

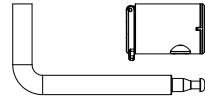


ASSEMBLY VIDEO

Parts



(1) PISTON® SR 2" Hitch Adapter



(1) Hitch Pin & (1) Lock Cylinder



(4) T-Channel Nut

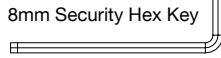


(4) M6 Washer



(4) M6 x 16mm Socket Head Screw

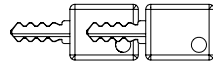
Tools



8mm Security Hex Key



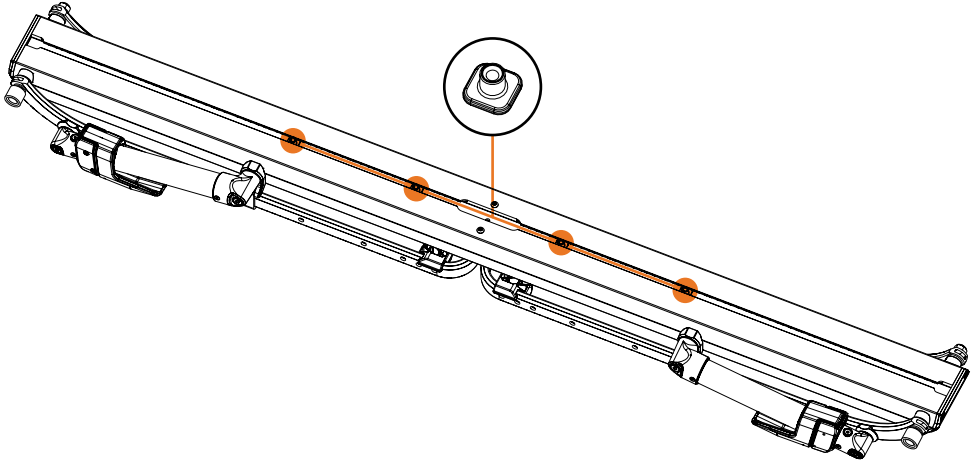
4mm Security Hex Key



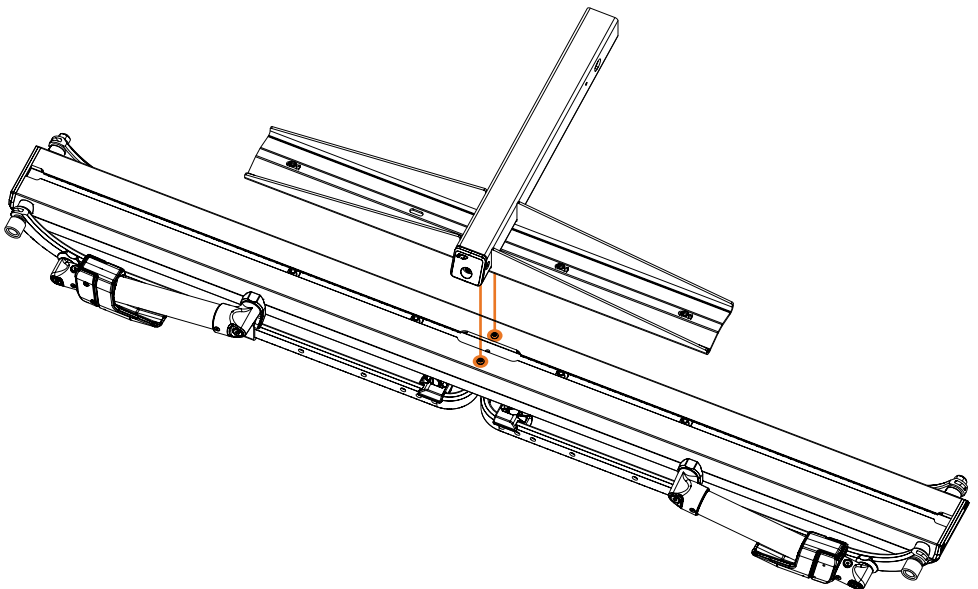
(2) Key

Assembly

- 1 Turn your PISTON® SR over and insert (4) T-Channel Nuts into middle channel slot. Align two on the left, and two on the right. These T-Channel Nuts will align with bolt holes on your PISTON® SR 2" Hitch Adapter.

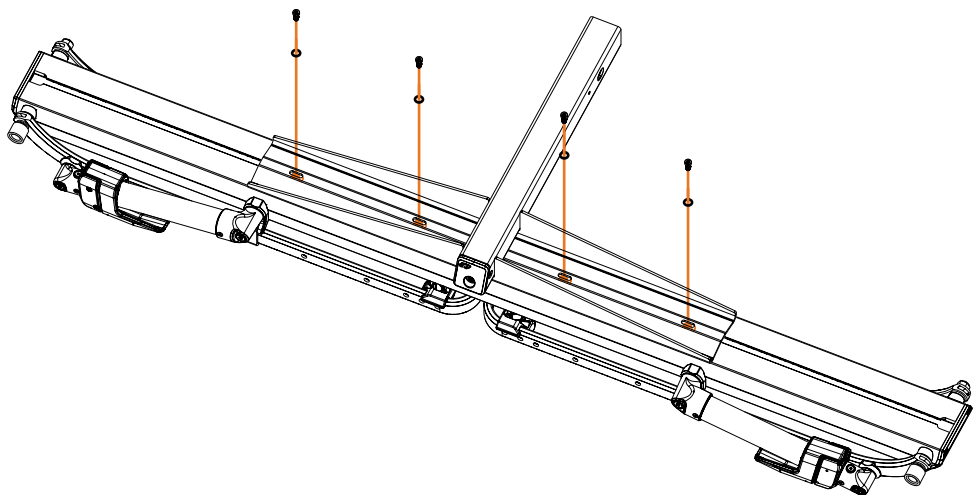


- 2 To center the PISTON® SR Hitch Adapter with the PISTON® SR, align the 2 button-head bolts on the PISTON® SR with the corresponding holes on the PISTON® SR Hitch Adapter.



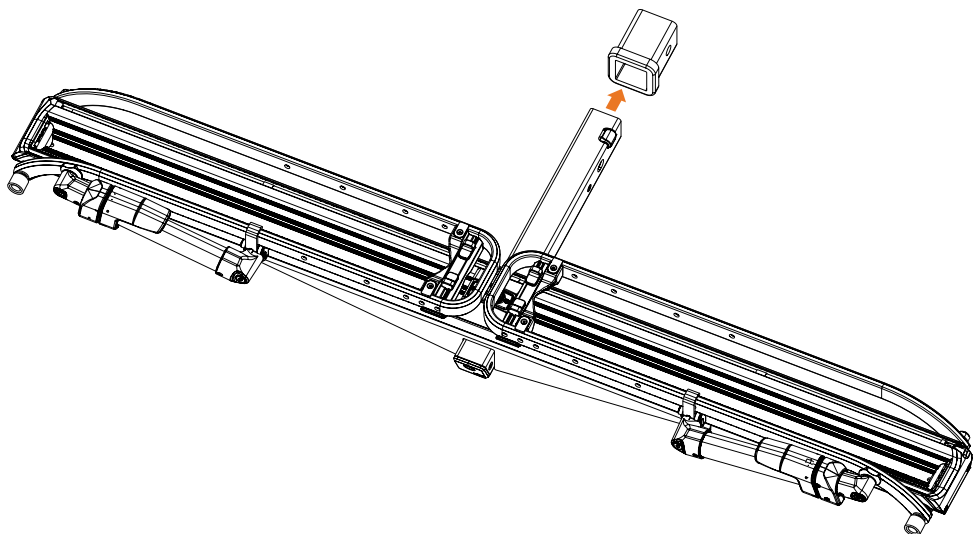
- 3 If necessary, adjust your T-Channel Nuts to align with Hitch Adapter bolt holes. Thread (4) M6 x 16 Socket Head Screws and (4) M6 Washers into T-Channel Nuts.

Tighten to 11 Nm using the provided 4mm Security Hex Key.

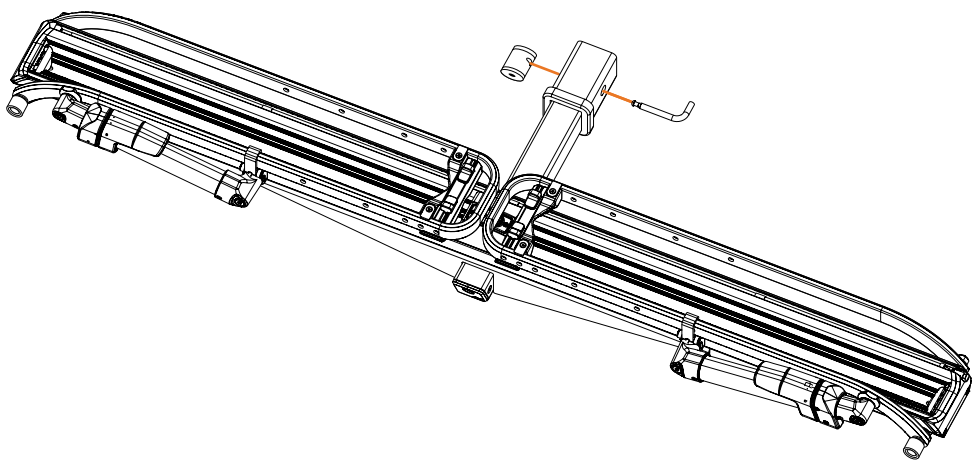


Installation

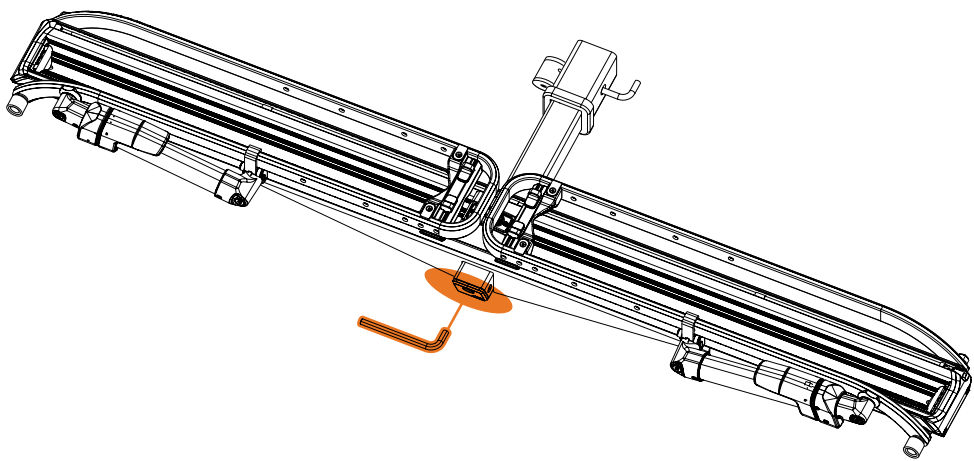
- 1 Insert assembled PISTON® SR Hitch Adapter into vehicle hitch port.



2 Secure with provided hitch lock.



3 Fully tighten using provided 8mm Security Hex Key.



Bump Stop Removal

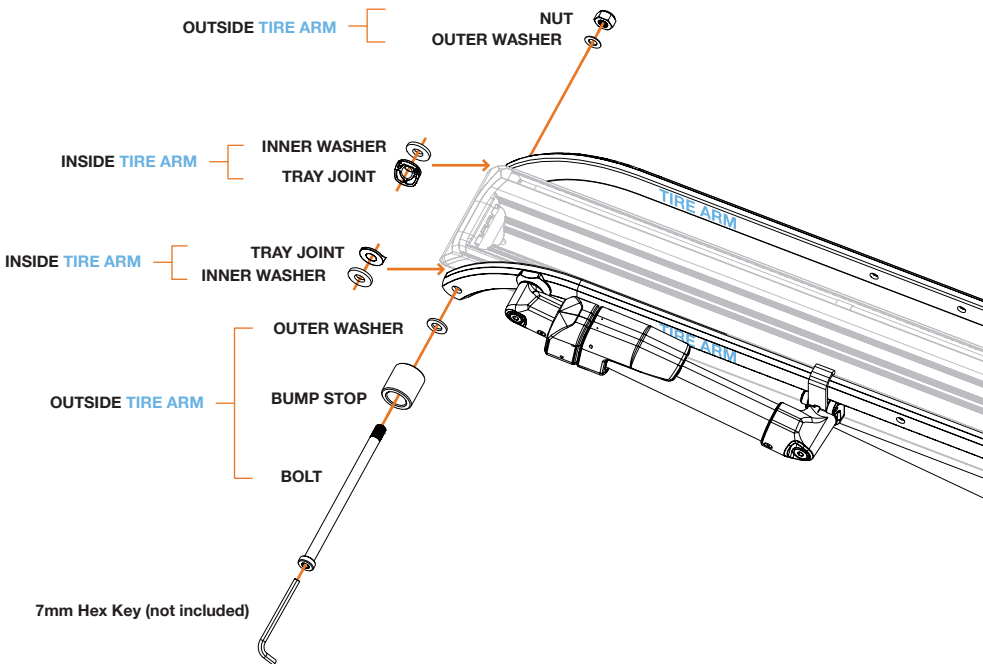
(For use with eBike Ramp)

PISTON® SR features bump stops to prevent tire tray arms from opening over-center and potentially damaging your vehicle. When using the PISTON® SR in the HITCH ADAPTER configuration these bump stops may be removed to allow tire tray arms to open over-center and allow for the installation of e-bike ramps.

- 1 Secure the Nut and use a 7mm Hex Key to fully loosen the Bolt inside the Bump Stop.
- 2 Carefully remove the Bolt, Bump Stop, Outer Washers, Inner Washers, and Tray Joints.

With Bump Stop removed, reassemble.
Repeat for the opposite side if desired.

! Retain Bump Stop and reinstall if using PISTON® SR on vehicle roof.



Küat® Rack Warnings

PISTON® SR

2" HITCH ADAPTER

Number Of Bikes

1

Weight Per Bike

100 lb*
45.3kg

Max Wheelbase

53 in
1346mm

Max Tire Width

5 in
127mm

*67lbs if used on RV

WARNINGS

- Follow instructions for proper assembly, installation and use.
- Check tightness of all bolts and screws periodically.
- Make sure rack and vehicle receiver are in working condition before each use.
- Only use Küat hitch extenders with this product.
- Do not use bicycle fenders or cargo racks with this product without PISTON® Fender Kit.
- Do not exceed the bicycle or weight limits intended for this rack.
- Do not use rack off road (rough, washed out, boulder-and-rut-strewn backroads).
-Smooth gravel roads are not considered off-road.
- Do not use tarps, rain covers or wind covers with this product.
- The PISTON SR Hitch Adapter should not be used to carry any device other than a PISTON® SR.
- Do not take through automatic car wash.
- See RV Compatibility warning.
- Drive responsibly.

If you have questions or problems, please contact Küat Racks directly by calling toll free 1(877)822-KUAT, or by email: info@kuat.com

ADVERTENCIAS

- Siga las instrucciones para un montaje, instalación y uso adecuados.
- Verifique periódicamente el apriete de todos los pernos y tornillos.
- Asegúrese de que el portaequipajes y el receptor del vehículo estén en buenas condiciones antes de cada uso.
- Utilice únicamente extensores de enganche Küat con este producto.
- No use guardabarros de bicicleta o soportes de carga con este producto sin el kit de guardabarros PISTON®.
- No exceda los límites de bicicleta o peso previstos para este portabicicletas.
- No utilice la rejilla fuera de la carretera (carreteras secundarias irregulares, arrasadas, llenas de cantos rodados y surcos).
-Los caminos de ripio liso no se consideran fuera de la carretera.
- No use lonas, cubiertas para la lluvia o cubiertas contra el viento con este producto.
- El adaptador de enganche PISTON SR no debe usarse para transportar ningún dispositivo que no sea que un PISTON® SR.
- No pase por lavado automático de autos.
- Consulte la advertencia de compatibilidad de RV.
- Conduzca con responsabilidad.

AVERTISSEMENTS

- Suivez les instructions pour un assemblage, une installation et une utilisation appropriés.
- Vérifiez périodiquement le serrage de tous les boulons et vis.
- Assurez-vous que le porte-bagages et le récepteur du véhicule sont en bon état de fonctionnement avant chaque utilisation.
- N'utilisez que des rallonges d'attelage Küat avec ce produit.
- N'utilisez pas de garde-boue ou de porte-bagages avec ce produit sans le kit de garde-boue PISTON®.
- Ne dépassez pas les limites de vélo ou de poids prévues pour ce porte-bagages.
- N'utilisez pas de crémaillère hors route (routes secondaires accidentées, délavées, parsemées de rochers et d'ornières).
-Les routes en gravier lisse ne sont pas considérées comme hors route.
- N'utilisez pas de bâches, de housses de pluie ou de housses contre le vent avec ce produit.
- L'adaptateur d'attelage PISTON SR ne doit pas être utilisé pour transporter un appareil autre qu'un PISTON® SR.
- Ne passez pas dans un lave-auto automatique.
- Voir l'avertissement de compatibilité RV.
- Conduisez de façon responsable.

WARRANTY

We stand behind our products, and our customer service reps are waiting to help you out if you have any problems with your product. Our lifetime warranty covers your purchase for life. You can review our full warranty at our website or call customer service at the number below if you have questions or need a repair, replacement, or refund.

Questions or comments?

Drop us an email or call us directly!

kuat.com | info@kuat.com | **877.822.5828**

Küat RV Compatibility Warning

Küat's receiver hitch-mounted bicycle racks may be used with some recreational vehicles (RVs) as described below. Many types of RVs subject the rack and bicycles on it to high forces and extreme movements. As a result, Küat does not recommend using our receiver hitch-mounted products on RVs that will likely expose the rack to unacceptable conditions.

Küat's standard warranty will cover use of any of its 2-inch receiver hitch-mounted bicycle racks on motorhomes (as defined in 49 C.F.R. 571.3) satisfying all of the following requirements:

- 1) The receiver hitch is directly attached to the motorhome chassis, not just to the bumper;
- 2) The rear-most point of the receiver hitch where the bicycle rack will be attached is no more than 64 inches from the rear axle of the motorhome; and
- 3) The vehicle is a class B type motorhome as described below.

Class B type motorhomes are commonly known as van conversions and comprise a completed van-type vehicle which has been altered to provide temporary living quarters. Class B type motorhomes have a gross vehicle weight rating of 10,000 lbs or less.

In addition, (i) the 2 inch receiver Transfer™ v2, (ii) the 2-inch receiver Piston® Pro X, and (iii) the Piston® SR with 2" Hitch Adapter may be used on RVs (both motorhomes and trailers) satisfying all of the following requirements:

- 1) The receiver hitch is directly attached to the RV chassis, not just to the bumper; and
- 2) The bicycle rack is in the 2-bike configuration with no add-on unit attached.

Please check the Warnings section of the User Guide for load weight limits applicable to your rack when used on an RV. Lower weight limits apply.

Even if the conditions above are met, any RV may be operated in a way that will expose Küat's products to conditions that they are not designed to handle. The operator of the RV is responsible to operate the RV in a manner that will not overload the rack, such as by excessive speed over rough roads or speed bumps, rapid turning movements, driving the RV over changes in gradient that will bring the rack in contact with the ground, or other similar actions.

kuat[®]

1.877.822.5828

info@kuat.com

kuat.com