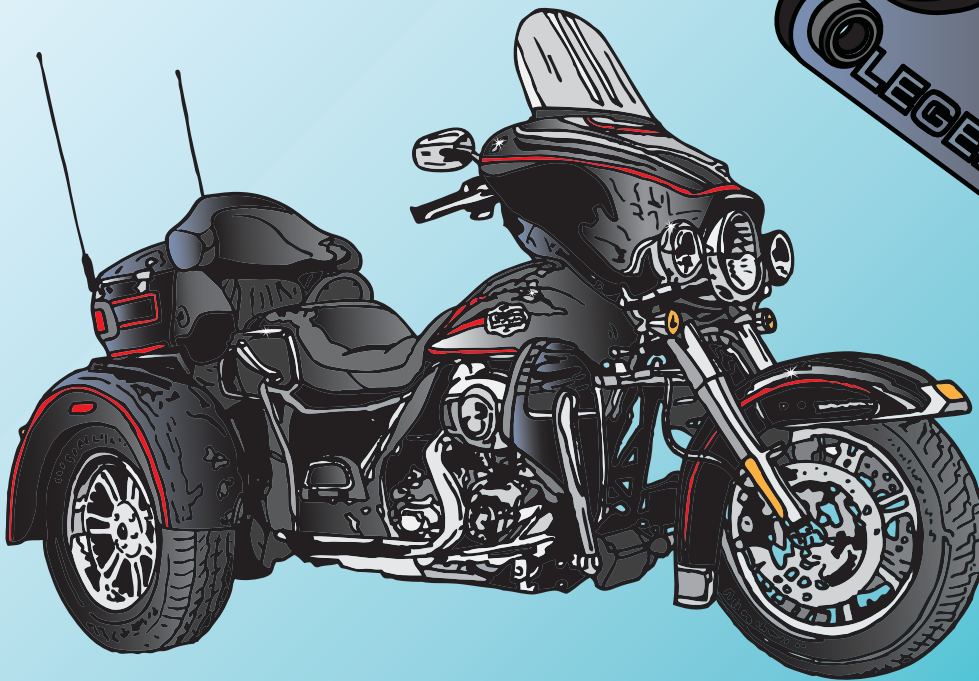


TRI-GLIDE REAR LIFT KIT**FITMENT:**

2017+ HARLEY-DAVIDSON
 TRI GLIDE MODELS
 (WORKS WITH LEGEND OR ANY
 BRAND AFTER MARKET SHOCKS)

**WARRANTY**

All Legend Suspension System™ parts are guaranteed to the original purchaser to be free of manufacturing defects and workmanship. Merchandise that fails to conform to these conditions will be repaired or replaced at Legend Suspension Systems™ option if the parts are returned to us by the purchaser. Warranty coverage is limited lifetime.

In the event warranty service is required, the original purchaser must call or e-mail Legend Suspension Systems™ immediately with the problem. Some problems can be rectified by a telephone call and need no further course of action.

A part that is suspect of being defective must not be replaced by a Dealer without prior authorization from Legend Suspension Systems™. If it is deemed necessary for Legend Suspension Systems™ to make an evaluation to determine whether the part was defective, a return authorization number must be obtained from Legend Suspension Systems™. The parts must be packaged properly so as to not cause further damage and be returned prepaid to Legend Suspension Systems™ with a copy of the original invoice of purchase. If after an evaluation has been made by Legend Suspension Systems™ and the part was found to be defective, repair will be made at Legend Suspension Systems™ discretion.

ADDITIONAL WARRANTY PROVISIONS

- (1) Legend Suspension Systems™ shall have no obligation in the event a Legend Suspension Systems™ part is modified by any other person or organization.
- (2) Legend Suspension Systems™ shall have no obligation if a Legend Suspension Systems™ part becomes defective in whole or in part as a result of improper installation, improper maintenance, improper use, abnormal operation, or any other misuse or mistreatment of the Legend Suspension Systems™ part.
- (3) Legend Suspension Systems™ shall not be liable for any consequential or incidental damages resulting from the failure of a Legend Suspension Systems™ part, the breach of any warranties, the failure to deliver, delay in delivery in non-conforming condition, or for any other breach of contract of duty between Legend Suspension Systems™ and a customer.
- (4) Legend Suspension Systems™ shall have no warranty or liability obligation if a Legend Suspension Systems™ part is used in any other application. Vehicles used in competition or off road are exempt from all warranties.
- (5) All warranty items will require the original purchase invoice.

WARNING: Legend Suspension Systems™ assumes no responsibility for damage or injuries which may result from the use or installation of its products, whether or not properly installed or used.

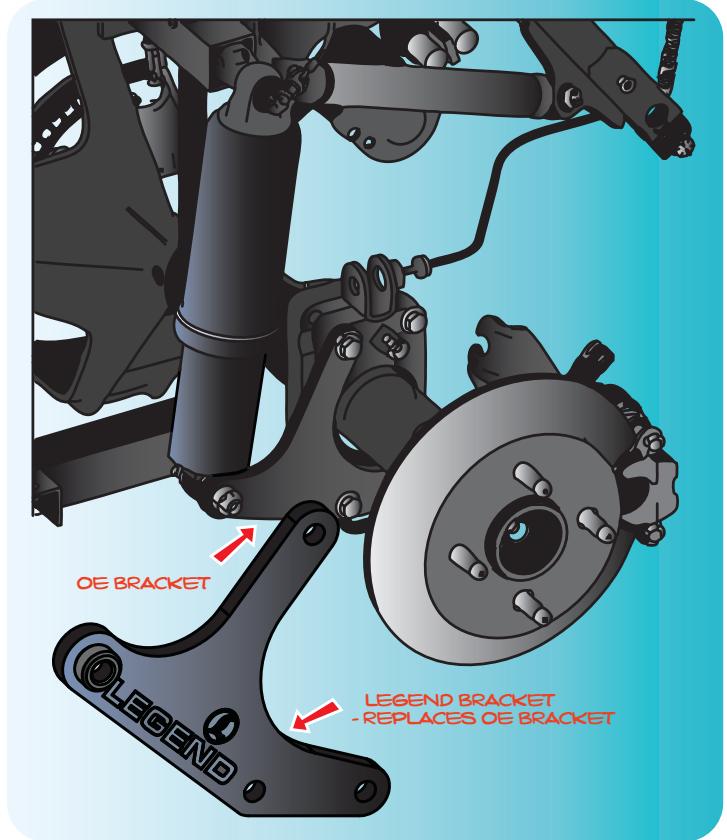
All parts sold or manufactured by Legend Suspension Systems™ are warranted against all manufacture defects or workmanship defects. Should a product we manufacture be defective, it must be returned to Legend Suspension Systems™. All returns must be authorized in advance with RA#. Freight must be prepaid by customer. If our product is found to be defective, it will be repaired free of charge or exchanged at Legend Suspension Systems™ discretion. Repairs or exchanges will not be issued if merchandise has been damaged, abused or modified. Any disagreement which may arise out of this agreement shall be submitted to arbitration and shall be enforceable under the laws of the State of South Dakota. Judgment on the award shall be entered into by the said court, and the decision of the arbitrator shall be a condition precedent to legal rights. The parties shall submit disputed matters under the Rules of the American Arbitration Association and the losing party shall pay both parties' attorneys' fees and costs



1

STEP ONE: MOUNT BRACKETS

- A. PROPERLY SUPPORT THE TRIKE ON JACK(S).
- B. REMOVE TIRES TO ACCESS THE STOCK BRACKET.
- C. REMOVE THE LOWER OE SHOCK MOUNT BRACKETS SHOWN IN THE FIGURE, AND REPLACE WITH YOUR NEW LEGEND BRACKETS.
- D. THE LEGEND BRACKETS ARE ORIENTED WITH THE LOGO FACING OUT FROM THE TRIKE.
- E. APPLY BLUE THREAD LOCKER TO THE OE HARDWARE AND TORQUE TO MANUFACTURE SPECIFICATIONS.
- F. REINSTALL TIRES AND TORQUE TO SPEC.



2

STEP TWO: INSTALL EXHAUST SPACERS

- A. REMOVE STOCK EXHAUST BOLTS.
- B. USE STOCK LOCK WASHER AND SUPPLIED BOLTS WITH SPACERS AS SHOWN IN **FIGURE A**.

FIGURE A

