



# MOUNTING INSTRUCTIONS

2321-0098 Detachable Mounting Kit for Honda VTX 1300 S/R ('03-'08), Black finish.

## ! WARNING

Read and follow these directions carefully.

During installation, make sure that the fairing and hardware do not interfere with any cables or wiring when the forks are turned all the way in either direction. Also make sure, through the full range of adjustment, that the fairing and hardware do not hit the tank.

This is a detachable fairing, ***ALWAYS*** make sure the Locking Mechanism is Fully Engaged after installing the fairing! The improper installation of this kit and related components could result in serious injury or death.

Additional tools required that are not included in this kit. 1/4" drive ratchet and extension with 7/16" or 11mm socket, 12mm and 8mm socket or wrench.

1. Cover gas tank and front fender with towels to avoid damage during installation.
2. Attach the mounting plates to the bolts on the fairing with the washers and acorn nuts provided. (See fig. 1)
3. On the throttle side, locate and loosen, almost to the point of removal, the two 8mm hex head bolts on top of the lower triple tree that secures the chrome fork cover. Locate the cable holder mounted under the upper triple tree. (See Fig. 2) Using a 12mm wrench, remove the cable holder bolt but hold the cable holder in place while slipping the lower mounting bracket slots onto the 8mm Hex Head Bolts. Slip the upper mounting bracket on to the cable holder so that the cable holder is between the upper mounting bracket and the upper triple tree, make sure that the cable holder's locator tab is inserted in the locator hole. and loosely tighten, tighten this bolt after the windshield is in place. (See Fig. 2)
4. Push the lower bracket all the way towards the chrome fork covers and loosely tighten the two lower bolts. Tighten these bolts after the fairing is in place (See Fig. 2)
5. Repeat these steps for the Clutch side.

6. Install the fairing by placing the lower slots into the lower mounting bushings. Slip the upper slots into the upper mounting bushings and gently but firmly seat the slots into place. Lock the locking mechanism into place. (see figure 3)
7. Tighten the upper and lower mounting bolts from steps 3 and 4
8. Adjust the height, angle and alignment of the fairing and tighten ***ALL*** bolts.

**Note:** This is a detachable fairing, ***ALWAYS*** make sure the Locking Mechanism is Fully Engaged after installing the fairing! (see figure 4)

## CAUTION

### IMPORTANT CARE AND CLEANING INSTRUCTIONS

Memphis Shades Fairings, windshields, wind defelctors and Lowers are made of Lucite® acrylic, and will last for years with proper care. Clean your product with plenty of soapy water — mild dishwashing liquid is best — and a soft cotton cloth. Use your bare hand to feel and dislodge bugs, or cover with a wet soapy towel and let it soak. Don't use paper towels and don't scrape with anything. Small scratches can be removed with NOVUS # 2.

**NEVER** use any glass cleaning products, petroleum based chemicals, or cleaning agents with ammonia, bleach or any other harsh chemicals. This includes (but not limited to) RainX, brake fluid, acetone, paint thinner, benzene and gasoline. "If it hurts your nose, it will hurt the plastic."

**Glass cleansing agents will cause severe damage to your product, and will void your warranty.**

**NOTE:** At certain times of the day the Sunlight can reflect off the curvature of a windshield or fairing and cause extreme heat build-up on motorcycle instruments and instrument panel. Take care when parking. Park facing the sun, place an opaque object over the instruments or adjust the product to avoid reflections.

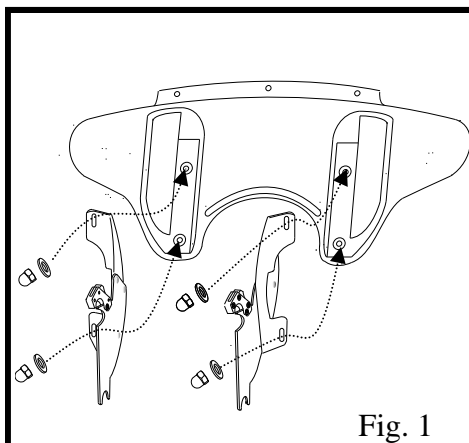


Fig. 1

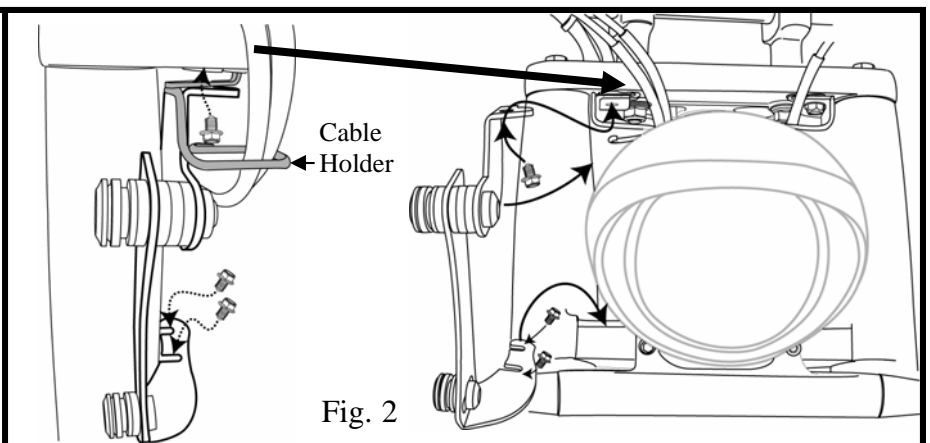


Fig. 2

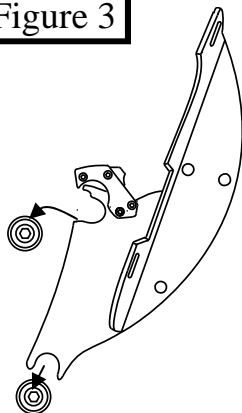


# MOUNTING INSTRUCTIONS

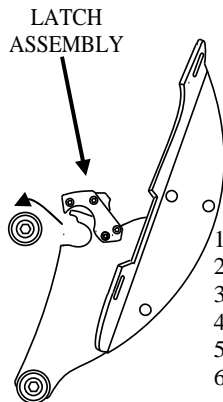
## 2321-0098 Detachable Mounting Kit for Honda VTX 1300 S/R ('03-'08), Black finish.

Part #	Description	Qty	Part #	Description	Qty
M8990	Mounting instructions	1	R321	1" Recesses spacer washer	4
M1216	Left mounting plate, black	1	R322C	Clutch side latch assembly	1
M1215	Right mounting plate, black	1	R322T	Throttle side latch assembly	1
M1107	Left bracket	1	R334	6-32 x 1 3/8" socket head cap screw	8
M1108	Right bracket	1	R326	SS spring	2
M1121	Left upper bracket	1	R330	1" Indented recessed spacer	2
M1122	Right upper bracket	1	R318	1" Socket shoulder washer	4
R323	Bushing assembly (2 part)	4	R328	1/4-20 x 1 3/8" Socket head cap screw	2
R324	#207 EPDM O Ring	4	M310	3/16" short arm allen wrench	1
M303	1/4"-20x3/4" socket head cap screw	2	M313	3/16" allen wrench cover	1
M505	Button nut	4			

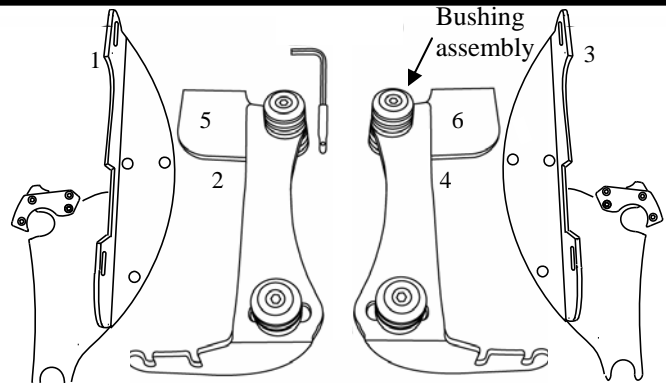
**Figure 3**



1

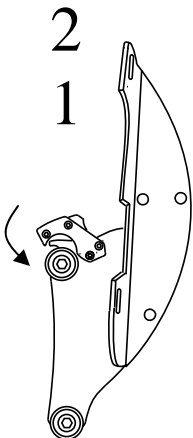


1. M1216
2. M1108
3. M1215
4. M1107
5. M1122
6. M1121

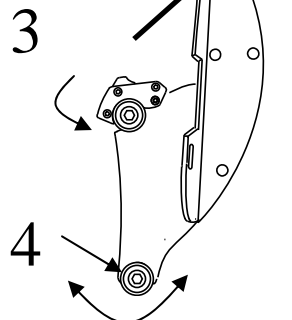


1. Place lower slot into lower bushing.
2. Rotate top slot into place.
3. Secure locking Mechanism.
4. Loosen Allen Bolt to adjust angle, then re-tighten Allen Bolt.

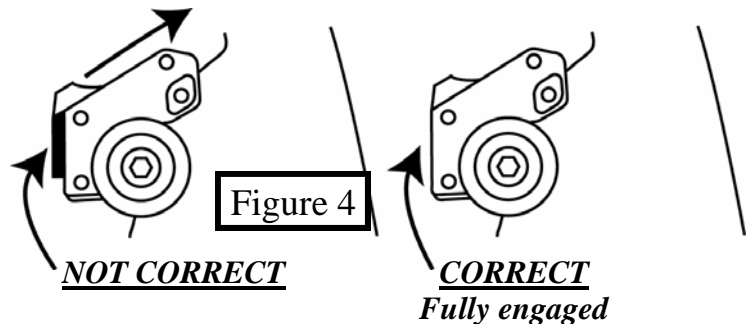
### 2321-0098 Fairing Mounting Kit



2  
1



4



**Figure 4**

Memphis Shades warrants all product components, metal and plastic, against defects in materials and workmanship for 24 months.

**FOR PARTS AND WARRANTY HELP, CONTACT:**

MEMPHIS SHADES  
P. O. Box 429  
Rossville, TN 38066  
(901) 853-0293

Visit us on the web at [www.memphisshades.com](http://www.memphisshades.com) or  
you can also reach us at  
[customerservice@memphisshades.com](mailto:customerservice@memphisshades.com)