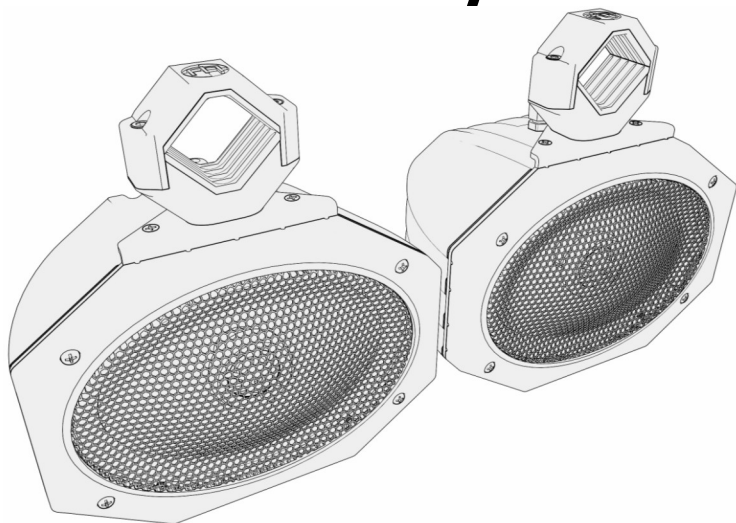




# *Element 1 Speakers*



# *Installation Manual*

Please take a few minutes and read this manual **BEFORE** starting the installation! This speaker manual is not “vehicle specific” so reading before starting will help you choose good mounting locations, and help plan your wiring.

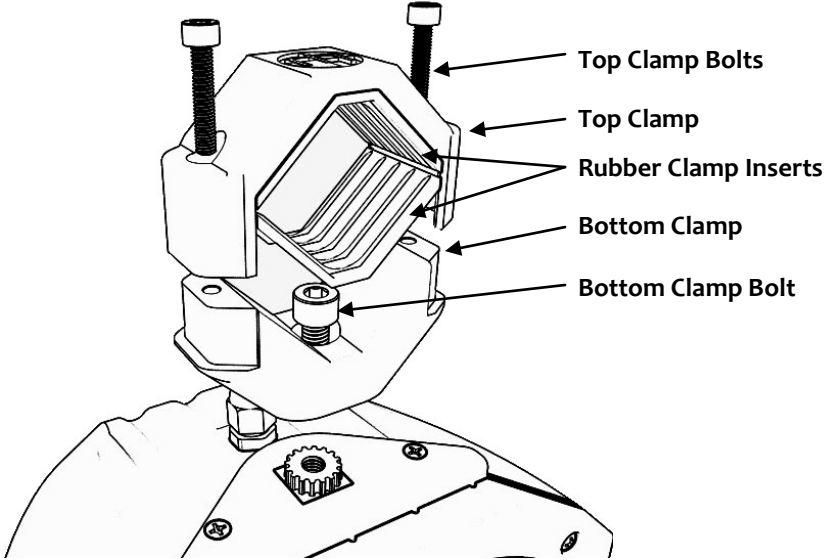
Thank you for your purchase of this Metrix Audio's Element 1 Speakers! Since positive word of mouth is the best way to grow our business, we want your new speakers to work as well as they were designed to. If you have any questions or concerns, we are here to help. Please email [info@metrixaudio.com](mailto:info@metrixaudio.com), or call us during regular business hours (EST) at (705)-719-6361. If you still need help, then please consider a professional installation by your retail dealer.

Metrix Audio's Element 1 Speakers are 4 ohm, 5"x 7" 2 way speakers that went through hours of rigorous testing with 100 watts of RMS power applied. The speakers were constructed specifically for the Powersports world and can withstand the elements. Normal rain or going through puddles etc is perfectly OK. Normal washing is also OK, but damage to the speaker, or speaker failure caused from pressure washing will NOT be covered by warranty.

**Mounting Location Considerations:**

It was important for us to have a speaker that could mount on the down tubes of the roll cage IN FRONT of the driver and passenger. By using an oval speaker, we could keep things as narrow as possible on one axis to improve the "line of sight" for the driver and passenger. If this is the only set of speakers, please consider installation in front of the driver and passenger being very careful not to have the speakers impede the line of sight or the ability to operate the vehicle in a safe manner. Element 1 speakers can also be mounted on a portion of the roll cage so they sit behind the rider and passenger. In all cases, the speakers must be mounted "inside" the vehicle, and must NOT be subject to impeding any moving parts of the vehicle including (but certainly not limited to) suspension etc.

**Exploded View of Speaker Cabinet Clamps**



**Speaker Placement:** Take a few moments and hold a single speaker up to the machine so you can see a good place to attach them. As stated earlier in this manual, the speakers were designed in such a way that they could be mounted in front of the driver and passenger. From a purely audio perspective, this is the preferred placement for the speaker as long as the placement does not impede the line of sight for the driver, or upset the safe operation while the vehicle is in motion!

Using the image on page 2 for reference, remove the top clamp bolts and top clamp. Loosen the bottom clamp bolts so the bottom clamp can turn freely between the splines on the underside of the clamp, and the splines on the cabinet. You can now choose the spline location to choose the best “left/right” alignment. Once chosen, tighten the bottom clamp bolt to secure the splines together.

**Attaching the speakers:** Once you have chosen a good location, and have the “left/right” alignment set, its time to attach the speakers to the machine. The bolts that came in the clamps during shipping will be long enough for most installations. You will see a second set of longer bolts that came in the bag with the rubber clamp inserts. These additional bolts are used for tube diameters of 2.0”. Using the image on page 2 for reference, make sure you place the “rubber clamp inserts” between the clamp and the tube of the machine. Put the top clamp over everything, and using the correct length bolts, secure the clamps to the machine. Note: The top and bottom clamps are made of cast aluminum. Although they are very strong, we suggest securing the clamp bolts using hand tools instead of powered or pneumatic tools.

**Wiring the speakers:** The speakers conveniently have 1 meter (3.3') of wire coming out of each cabinet. The weatherproof connectors at the end of this wire will plug into the supplied 12' (3.36m) that came in the box. See the 2 options below and choose the one that works for your application.

**Option 1:** If these speakers are the SECOND set being attached to a Metrix Audio UTV 1 kit, the supplied 12' (3.36m) wire harness will plug into the speakers on one end, and directly into the left and right “EXT Out” connectors on the Metrix Audio Element X amplifier. Any extra wire can be bound up and “zip tied” together, and tucked away in a secure location within the vehicle.

**Option 2:** If you are using the speakers with any amplifier other than Metrix Audio Element X Amp , the supplied 12' (3.36m) wire harness will plug into the speakers on one end, and you can cut off the other end of the harness and wire directly to your amplifier. Please note: The Element 1 speakers are 4 ohms, and are rated for 100 watts.

Once you have the speakers mounted and wired, use “zip ties” to properly secure the wires to the vehicle. Make sure any “left over” wire does not impede the safe operation of the vehicle

**IMPORTANT:** Before operating the vehicle, make sure the speakers are mounted and secured properly, and **WILL NOT IMPEDE THE LINE OF SIGHT FOR THE DRIVER WHICH COULD CAUSE UNSAFE OPERATION OF THE VEHICLE!**

With the speakers properly mounted, and wires properly secured, your new speakers are ready to enjoy!

# Warranty Information:

Metrix Audio's Element 1 Speakers are warranted for a period of 12 months from the original purchase date. The warranty applies to the original (retail) owner of the system only. Proof of purchase is required for all warranty claims. Please visit the warranty section of our website at [www.metrixaudio.com](http://www.metrixaudio.com) and fill out the form, or email or phone us. Products found to be defective during the warranty period will be replaced (with a product deemed to be equivalent) at Metrix Audio's sole discretion. In the event of a confirmed speaker failure, a speaker (only) will be sent, not an entire new cabinet with speaker.

Metrix Audio is a wholly owned subsidiary of Powersports Audio Inc., Barrie, Ontario, Canada. USA Tel: (608) 554-7631 Canada Tel: (705)-719-6361. email [info@metrixaudio.com](mailto:info@metrixaudio.com)

## What Is Not Covered:

- 1) Any expense related to the removal or re-installation of this product.
- 2) Damage due to improper wiring.
- 3) Repairs of any kind performed by anyone other than Metrix Audio.
- 4) Subsequent damage to any other components.
- 5) Any product purchased from a non-authorized Metrix Audio dealer.
- 6) Damage from an accident or collision.
- 7) Damage from any custom mounting.
- 8) Damage to speaker from "pressure washing".
- 9) Damage to goods arriving to us damaged from improper shipping.
- 10) Speakers arriving to us with holes of any kind (or size) in woofers cone.



***Any audio system can be a distraction to the driver and/or passenger. Please use caution when playing your stereo, especially in traffic.***