



Ref.	Qty.	Part#	Description
1	1	2484-100	Permanent Mount
2	1	2484-200	Removable Mount
3	2	HDW2322	5/16" x 2.5" Lock Pin

RM4 Plow Mount Installation Instructions

2009-13 Yamaha Rhino 450/700

Part Number: 4501-0801

The RM4 mount kit is a two-piece design to allow for quick removal of the main mount when not needed for plowing. This mount design uses the Rhino front frame member to push against and distribute the load when plowing. The a-arm mounting points are for location and only take a small amount of load. The retractable pins on the push tube that extend into either side of the mount are to keep the plow in place and do not take the plowing force, they just hold the plow in position. See below for installation instructions of the mount kit.

NOTE: Due to the extreme cable angle of the Yamaha winch mount, we recommend using only the Moose brand winch mount with the RM4 plow system. Premature cable failure will result from using the Yamaha mount due to the mounting location.

1. Jack up the front of the Rhino and place the machine on jack stands. Remove the front plastic skidplate bolts and washers. Remove the lower front bumper mounting bolts. Loosen, but keep in place, the upper front bumper mounting bolts. If you already have a winch installed, you may need to remove the bolts, but keep the winch in place. Remove the four upper and lower a-arm bolts and nuts. See Diagram 1 on backpage.
2. Slide the permanent mount into place on the Rhino with the flat sheet metal between the bumper and the frame. If you have a winch installed, place the plow mount between the frame and winch mount. NOTE: If NOT using a Moose winch mount, you may need to drill holes in the plow mount to accommodate. The holes in the mount will line up with the a-arm mounts. Re-install the factory a-arm bolts and nuts. Re-install the factory bumper bolts through the bumper, plow mount, then frame. Tighten all bolts, including the upper bumper bolts that were previously loosened. See Diagram 1 and 2 on back page.
3. Reinstall the front bolts of the factory skidplate.
4. The 1/2" bolts and 1/2" nuts that are pre-installed in the push tubes are used as droop stops to keep the plow from dropping down too far. Thread them in about halfway for now.
5. Slide the removable mount into place on the permanent mount and secure with the included wire loop pins. The removable mount should be close to flush against the plastic skidplate. You can now attach your push tube and plow assembly.
6. Once the complete plow assembly has been installed on the machine, put the blade straight and on the ground. Adjust both droop stop bolts so there is about 3/4" between the bolt heads and the bottom of the push tube. Tighten the lock nuts.



FOR QUESTIONS OR COMMENTS PLEASE CALL: 320-964-1616 (7:00 to 4:30 CST Monday through Thursday).

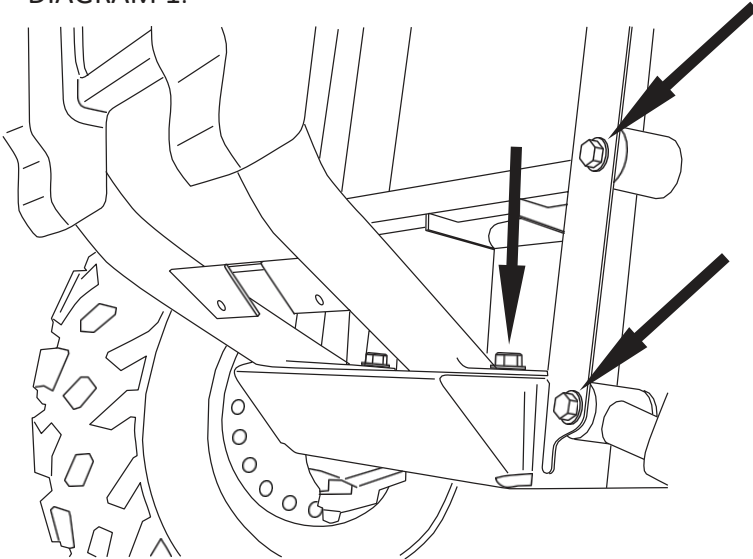
INST2484PF-1



RM4 Plow Mount Installation Instructions

Yamaha Rhino 2009-11 450/700
Page 2

DIAGRAM 1.



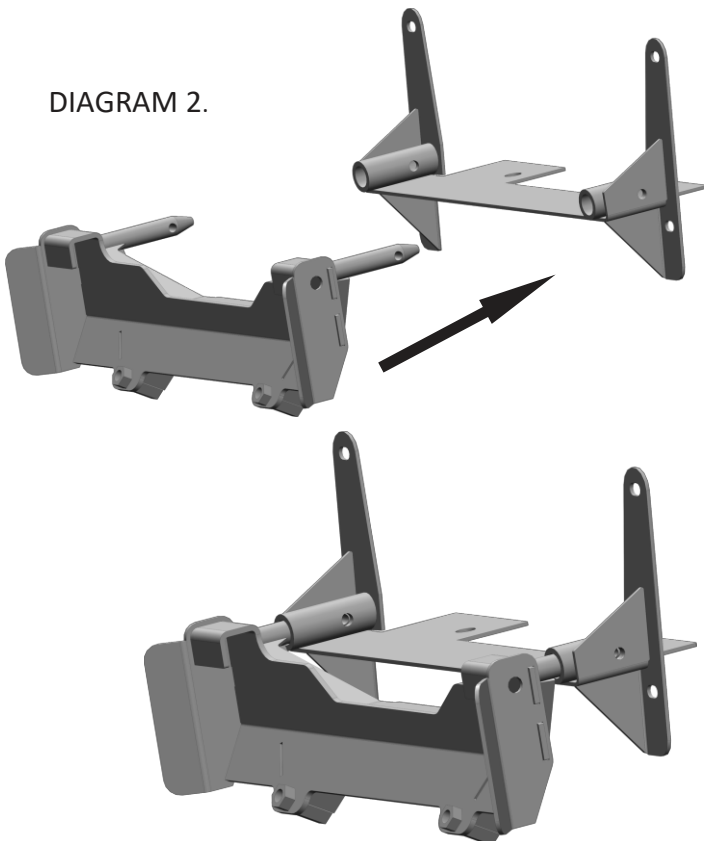
Remove the indicated a-arm and bumper bolts for installation of the machine side permanent mount.



Permanent mount installed on machine.

IMAGE 1.

DIAGRAM 2.



Complete mount system installed on machine.

IMAGE 2.



FOR QUESTIONS OR COMMENTS PLEASE CALL: 320-964-1616 (7:00 to 4:30 CST Monday through Thursday).

INST2484PF-2