



# Winch Mount Kit

Honda 2009-11 Foreman/Rubicon 500

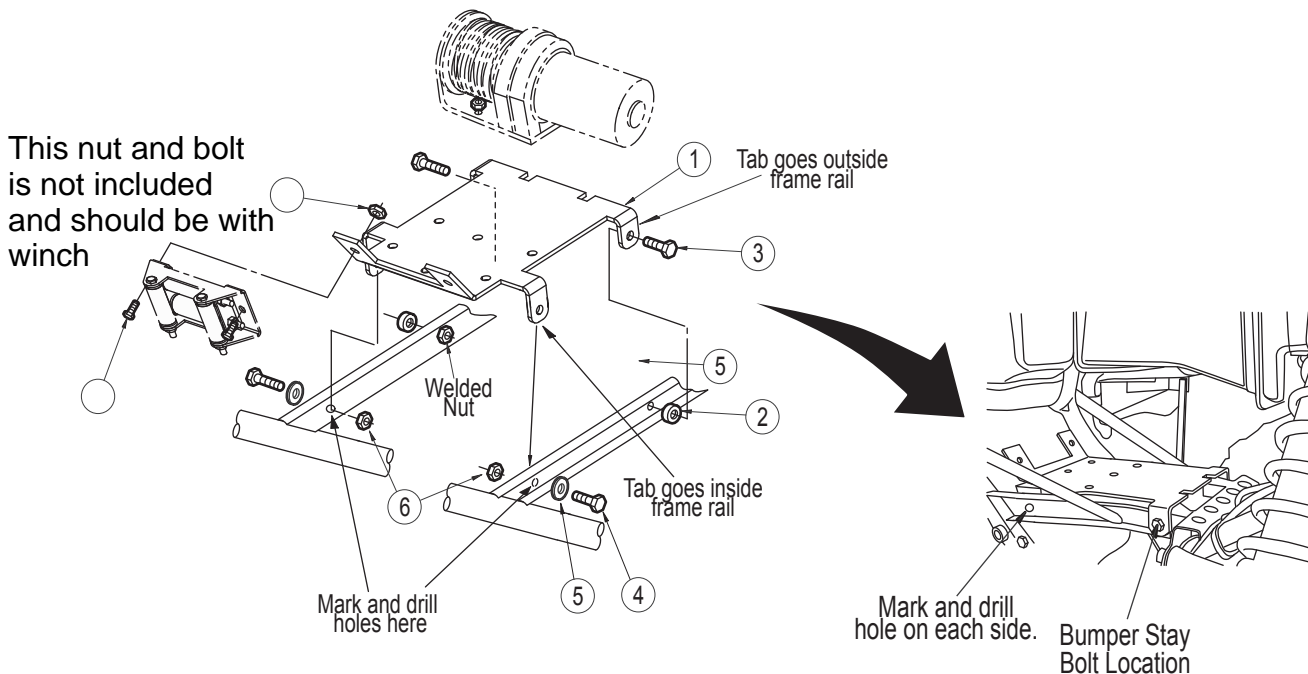
Honda 2012-13 Honda Rubicon 500

**Part Number: 4505-0632**

Item	Qty.	Part#	Description
1	1	1505-1	Winch Mounting Plate
2	2	HDW9428	5/8" x 3/8" Spacers
3	2	HDW1054	8mm x 25mm Hex Head Bolts
4	2	HDW2050	5/16" x 3/4" Hex Head Bolts
5	2	HDW9003	5/16" USS Flat Washers
6	2	HDW7058	5/16" Nylock Nuts

**NOTE: ROLLER FAIRLEAD NOT INCLUDED WITH THIS KIT.**

1. Remove the upper and lower plastic OEM bumpers. Upper bumper requires the removal of the two push in screws on each side. Retain all of the hardware removed.
2. Remove the interior bumper stay bolts directly behind the two round support bars and discard.  
**Note: See illustration for location.**
3. Position the Winch Mounting Plate (1) as illustrated with the rear ears on the outside of the frame rail and the front ears on the inside of the frame rail. Position a 5/8" x 3/8" Spacer (#2) between the rear hole of the mounting plate and the u-shaped frame channel. Insert a 8mm x 25mm hex head bolt (#3) and tighten. Repeat this step on the other side of the plate.
4. You will need to drill two holes towards the front of the u-channel for the remaining two ears of the winch mount. Once the rear of the winch mount is in place mark and drill the two front holes using a 3/8" drill bit. Bolt in place with two 5/16" hex bolts (#4), and 5/16" nylock nuts (#6)
5. Position your winch onto the plate so the cable pulls from the bottom of the drum. Depending upon make and model your winch, the winch motor may be on the left or right. Bolt in place using the hardware that came with your winch.
6. Install your roller fairlead to the mounting with hardware that came with your winch **Note:** Bottom roller may need to be removed to run the wire rope through. **Note:** If using an aluminum hawse, different hardware may be required, check the hardware that came in the winch box.
7. Reinstall OEM plastic bumper covers.



FOR QUESTIONS OR COMMENTS PLEASE CALL: 320-964-1616

Hours are 7:00 to 4:30 CST, Monday thru Thursday

Inst1505PF