



Winch Mount HONDA

Item	Qty.	Part#	Description
1	1	1506-01	Main Plate
2	1	1506-02	Fairlead Bracket
3	2	HDW2051	5/16" x 1" Hex Head Bolts
4	2	HDW1054	8mm x 25mm Hex Head Bolts
5	2	HDW7056	5/16" Whiz Nuts
6	2	HDW1110	8mm Flat Washers

NOTE: Roller fairlead not included with this kit!

NOTE: This mount will not accept 2-Bolt pattern winches!

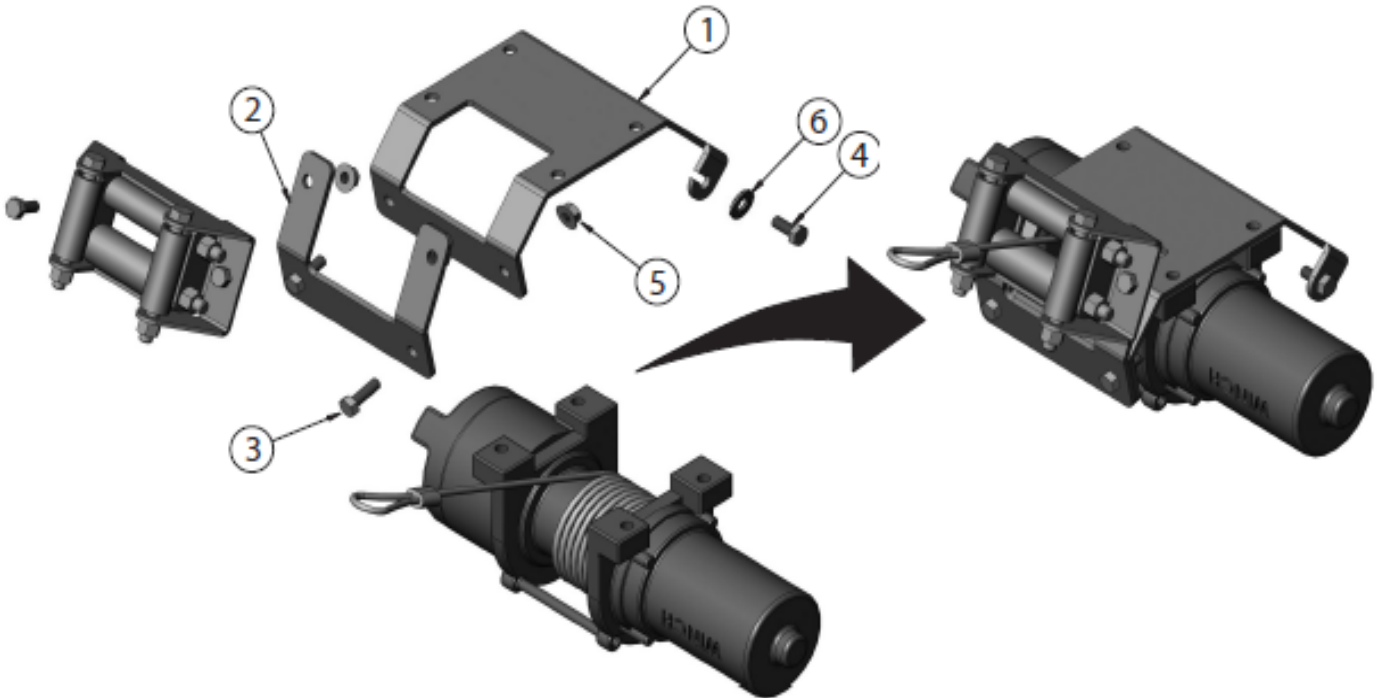
14-17 Rancher 420 (straight axel)

15-17 Rancher 420 (independent rear suspension)

14-17 Foreman 500 & 15-18 Rubicon 500

PART# 4505-0633

1. Remove the full lower skidplate. Remove the lower 6 bolts securing the factory bumper to the frame. You can just loosen the remaining top two bolts.
2. Pull the bumper out away from the machine 6-8 inches to allow for some room. Put the winch mount (#1) in place on the bumper from the front. The back two tabs will line up with the bumper mounting arm holes and the front of the mount will be on the frontside of the bumper. See Illustrations.
3. Orientate the winch upside down under the mount and push the bumper back into place on the machine. The winch and mount will be loose in the bumper area at this point.
4. Reinstall the bumper to the frame starting with the two included 8mm x 25mm hex bolts (#4) and 8mm flat washers (#6) that are used on the middle bumper arms through the winch mount tabs. Use the factory bolts in the 4 remaining locations. Tighten the top bolts you loosened in step 1. The bumper should now be reinstalled with the rear of the winch mount bolted in place as well.
5. Bolt the winch (still upside down) to the bottom of the mount using the hardware that came with your winch. There are some plastic shrouds on each side of the winch mounting area, these may need to be trimmed for clearance with your winch.
6. Bolt the fairlead bracket (#2) to the outside of the main winch mount plate and through the bumper using two 5/16" x 1" hex bolts (#3) and 5/16" whiz nuts (#5).
7. Install your roller fairlead or aluminum hawse to the roller fairlead plate using the hardware that came with your fairlead.
8. Reinstall the lower skidplate. The skidplate may need to be trimmed for clearance around the winch motor.



FOR QUESTIONS OR COMMENTS PLEASE CALL: 320-964-1616 (7:00 to 4:30 CST Monday through Thursday).

INST1506PF-1



14-17 Rancher 420 (straight axel) 15-17 Rancher 420 (independent rear suspension)

14-17 Foreman 500 15-18 Rubicon 500

Page 2 PART# 4505-0633

NOTE: Roller fairlead not included with this kit!

NOTE: This mount will not accept 2-Bolt pattern winches!



Pull the bumper out from the machine and put the winch mount in place. Slide the winch in place before reinstalling the bumper to the frame.



The rear tabs on the mount line up with the bumper mounting arms. The front of the mount will be over the top of the bumper.



The winch will mount upside down to the bottom of the winch mount. Bolt the fairlead plate through the main mount plate and bumper.



Install your roller fairlead. Reinstall the skidplate. Trimming may be required to fit around the winch body.

FOR QUESTIONS OR COMMENTS PLEASE CALL: 320-964-1616 (7:00 to 4:30 CST Monday through Thursday).

INST1506PF-2