



WINCH MOUNT INSTALLATION INSRTRUCTIONS

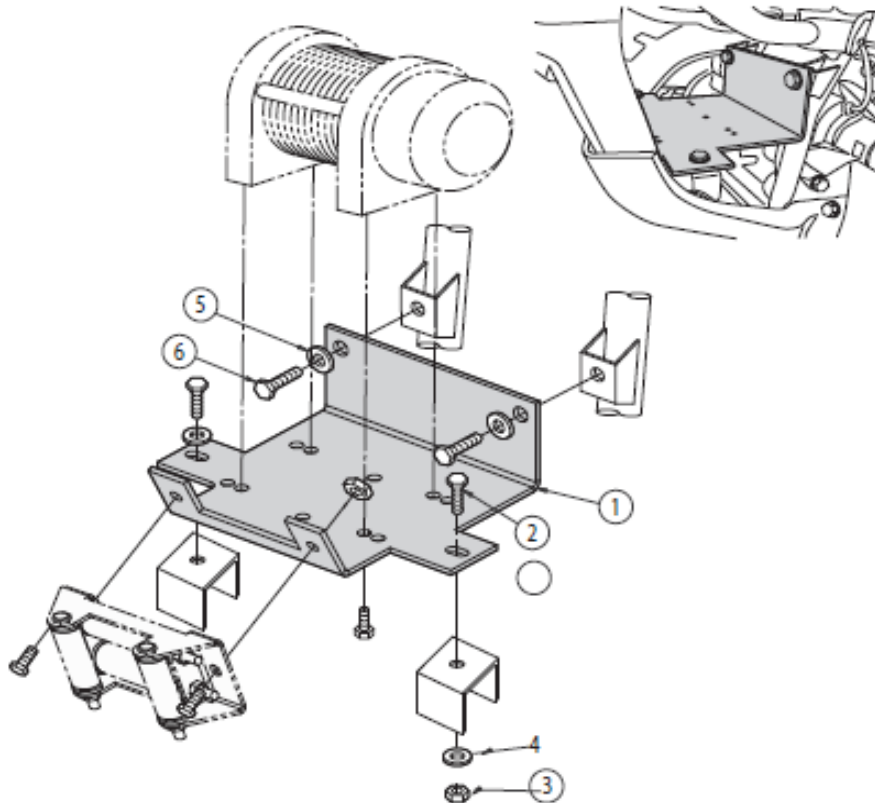
YAMAHA 16-17 KODIAK & 16-19 GRIZZLY

PART# 4505-0634

Item	Qty.	Part#	Description
1	1	1509-1	Winch Mount Plate
2	2	HDW2051	5/16" x 1" Hex Head Bolts
3	2	HDW7058	5/16" Nylock Nuts
4	2	HDW9002	5/16" Flat Washers
5	2	HDW9009	7/16" Lock Washers
6	2	HDW1066	10mm x 20mm Hex Head Bolts

NOTE: Roller fairlead not included with this kit!

1. Position the Winch Mount (1) into the front of the machine as illustrated.
2. Place the two 10mm x 20mm Hex Head Bolts (6) and two 7/16" Lock Washers (5) into the top holes and tighten. See illustration.
3. Insert two 5/16" x 1" Hex Head Bolts (2) and two 5/16" Flat Washers (4) into the bottom holes as illustrated and tighten using two 5/16" Nylock Nuts (3).
4. Attach the Roller Fairlead as illustrated using the hardware from winch manufacturer.
5. Orientate the winch so the cable pulls off the bottom of the drum. Bolt the winch to the plate with the hardware provided with your winch. There are multiple mount positions available on the mount for the different sizes of winches. Use whichever bolt pattern gives you proper clearance for your winch.
6. Bolt fairlead on with bolts provided with winch and wire to winch manufacturer's instructions.



FOR QUESTIONS OR COMMENTS PLEASE CALL: 320-964-1616 (7:00 to 4:30 CST Monday through Thursday).

INST1509PF