



Winch Mount

Arctic Cat

2008-11 366 4x4

2012 350 4x4

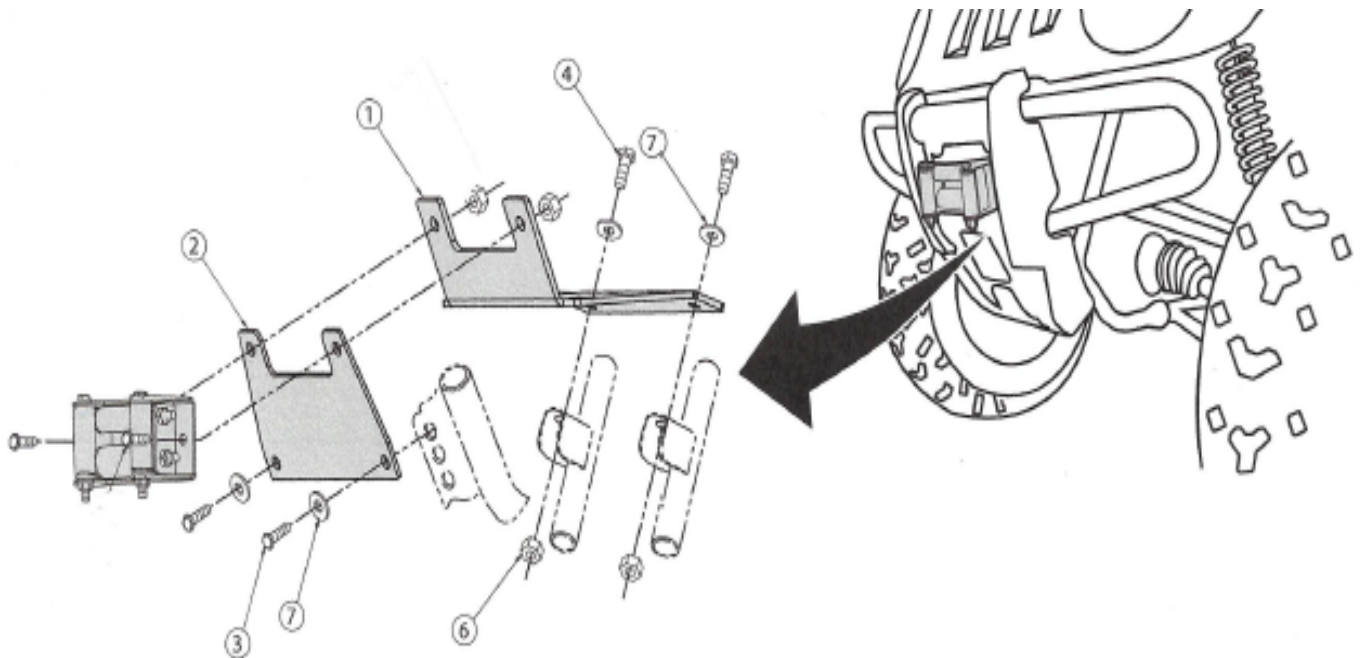
2012 425 4x4

ITEM	PART#	QTY.	DESCRIPTION
1	1513-1	1	Winch Mount Plate
2	1513-2	1	Fairlead Plate
3	HDW1050	2	8mm x 20mm Hex Bolt
4	HDW2050	2	5/16 x 3/4 Hex Bolt
6	HDW7058	2	5/16 Nylock Nut
7	HDW9002	4	5/16 Flat Washer

Roller Fairlead not included with mount kit.

PART# 4505-0636

1. Remove the front plastic bumper cover.
2. Attach the main plate on top of the of the frame as illustrated. Bolt the rear in place through the stock slotted holes in the frame mounts using the 5/16" x 3/4" hex bolts, washers and nylock nuts.
3. Attach the fairlead plate to the front of the bumper making sure it aligns with the fairlead holes in the main plate. Use the 8mm x 20mm hex bolts and two 5/16 flat washers into the stock threaded holes in the frame.
4. Attach the fairlead with bolts provided from winch manufacturer.
5. Install your winch to the winch plate using the installation instructions provided with your winch. Position the winch on the plate as close to center as possible. Make sure the cable pulls from the bottom of the winch drum.
6. Reattach the bumper cover using the stock mounting hardware.



FOR QUESTIONS OR COMMENTS PLEASE CALL: 320-964-1616 (7:00 to 4:30 CST Monday through Thursday).